

ATEX/IECEX LED Worklite™ - NEW AND IMPROVED 2018

Zones: 1, 2, 21 and 22



Product Overview

FULLY UPDATED IN 2018, the ATEX & IECEx certified Worklite™ is a rechargeable, high output LED floodlight for use in harsh, remote applications for extended periods. It offers unique levels of light output, operational duration and robustness in a self-contained battery powered lamp. It is CE marked to the ATEX Directive for safe use in Zones 1, 2, 21 and 22 potentially explosive gas, vapour, mist and dust atmospheres, where a T4 temperature class permits.

Following the 2018 update, the Worklite™ now has:

- **3X The Light Output - up to 3,100 lumens at source**
- **2X The Light Duration - up to 40 hours**
- **4X The LED Life - designed to give 100,000+ hours**
- **IECEX Certification**

Two ATEX Worklite™ models are available: the WL-85, which has an 18 LED lamp head giving over 3100 lumens output at source, and the WL-80 which also has an 18 LED lamp head giving 3100 lumens of light output but comes with a smaller, lighter battery to make it easily portable. Both models deliver a piercing spot beam and a flood of lower level fringe light. Low maintenance is assured by the LED light source which is designed to give over 100,000 hours life.

The duration of the WL-85 is up to 21 hours on 'high power' and up to 40 hours on 'low power' and the WL-80 is up to 15 hours on 'high power' and up to 22 hours on 'low power'. In addition to dual light output levels, the control circuit manages switch function, battery level indication and low battery cut-off, maintaining and protecting the battery from deep discharge damage.

The stainless steel construction of the ATEX Worklite™ is designed to withstand the rigours and corrosion of harsh industrial and offshore applications. The battery and control circuit are in a box enclosure giving IP66 and IP67 protection from ingress of dust and water. The anodised aluminium lamp pivotable head is also IP66 and IP67 sealed and designed

Features & Benefits

- ATEX and IECEx Approved for Zone 1 explosive gas and dust atmospheres, and OP IS compliant
- High power white LED beam with flood of lower level fringe light
- LED light source 'fitted for life' with 100,000+ hours life.
- Long duration, up to 21 hours full power, 40 hours half power
- Certified to both IP66 and 67, the Worklite™ is dust tight and protected against powerful water jets and immersion up to 1 metre
- Robust durable stainless steel construction battery enclosure and frame
- Locking pivot head to direct light
- Toughened glass lens with optional disposable lens guard
- Rechargeable high capacity battery, fully managed
- State of charge LED indication
- Supplied with a mains charger with state of charge indication, powered from 100 to 254Vac

Certifications



0598

as a heatsink for the LED light source. Being both IP66 and IP67 means that as well as being "dust tight" the Worklite™ is protected against powerful jets of water and immersion up to 1 metre. The lens is impact resistant 6mm toughened glass. In shot blasting and painting applications, the lens can be protected using a disposable antistatic lens guard (3 supplied).

NSN Codes

6230-99-3688359 - WL-80MOD

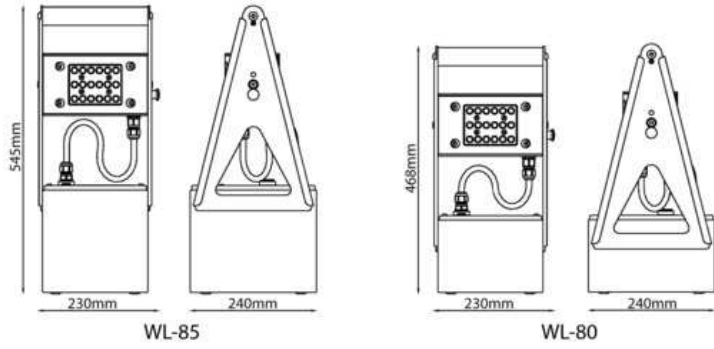
Technical Specification

Product Reference		WL-80	WL-85
Product Description		High Power Rechargeable Battery Worklite™ 18 LED	
Code		II 2 GD Ex e ib mb op is IIC T4 Gb Ex tb op is IIIC T135°C Db	
Type of Protection		'e' Increased Safety, 'ib' Intrinsic Safety, 'op is' optical intrinsic safety, 'mb' Encapsulation, tb Enclosure Protection	
Area of Classification (Gas)		Zones 1 and 2, Gas Groups IIA, IIB, IIC	
Temp. Classification (Gas)		T4	
Area of Classification (Dust)		Zones 21 and 22, Dust Groups IIIA, IIIB, IIIC	
Max Surface Temp. (Dust)		T135°C	
Ambient Temperature		-20°C to +40°C	
Certificate		Sira07ATEX3027X, IECEX SIR 18.0028X	
Enclosure		Stainless Steel with Aluminium LED Lamp Head	
Lens		Toughened Glass Lens Supplied with 3 Anti-static Lens Guards	
Beam Type		Spot Beam with a Flood of Low Level Fringe Light	
Light Source:	Type	High Power LED	
	Power / Output	18 x High Power LEDs / Up to 3100 lm at source	
	Life	100,000hrs+ (Fitted for Life)	
Power Source:	Part No.	W-218	W-235
	Battery Type	Rechargeable Battery, Sealed Gel Lead Acid	
	Volts	12V	
	Capacity	18Ah	35Ah
	Life	Up to 500 Recharge Cycles	
Low Battery Indicator		Yes	
Light Duration - High / Low		Up to 15hrs / 22hrs	Up to 21 hrs / 40hrs
Ingress Protection		IP66 and IP67* to IEC60529	
Weight (inc. battery)		16.5kg	23kg
Charger Input		100 - 254 Vac	
Recharge Time		8hrs	12hrs

* Being certified to both IP66 and IP67, the Worklite™ is "dust tight" and protects against powerful water jets and immersion up to 1 metre

- All information has been gathered under laboratory conditions, the user must regard the values given as approximate.
- Changes may be made to the above specification without notification, details are available on request.

Product Dimensions



Light Output

Spot Beam, approximately 14°, with a flood of lower level fringe light.

Full Power:

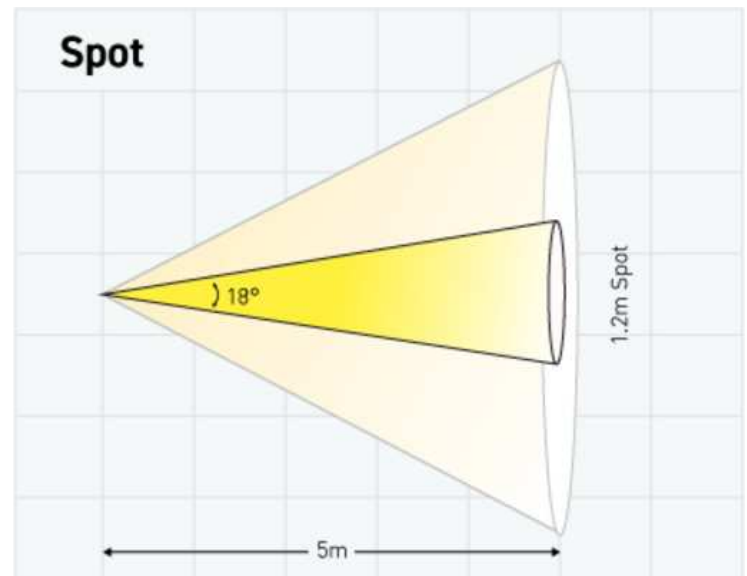
14,146 Lux at 1m

566 Lux at 5m

Half Power:

7,455 Lux at 1m

298 Lux at 5m



Version: SL015 DF528 Issue 8

Wolf®

Wolf Safety Lamp Company, Saxon Road Works, Sheffield, S8 0YA, UK

- T: +44 (0) 114 255 1051 • F: +44 (0) 114 255 7988
- E: info@wolfsafety.com • www.wolfsafety.com

