

MSA V-EDGE™ Cable Self Retracting Lanyard



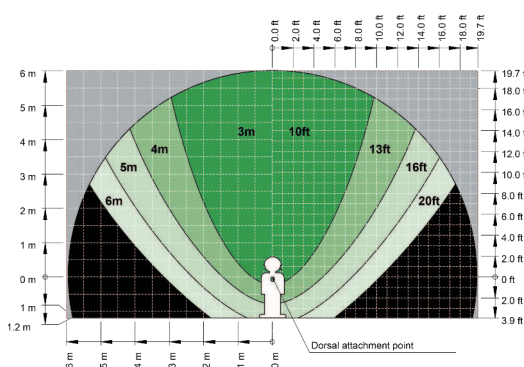
Leading Edge Self-Retracting Lanyard (SRL) for industrial maintenance

The **V-EDGE SRL** is intended to be used where user mobility is required and fall protection is needed (inspection work, general construction & maintenance work etc.) and where there is a residual risk of falling over an edge.

The V-EDGE SRL may also be used for fall restraint and horizontal applications.

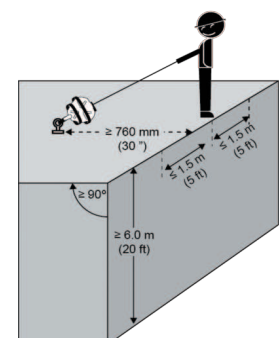
Key Features

- The tear webbing energy absorber ensures the forces passed to the User and anchorage are reduced to below 6 kN
- All internal components are manufactured from materials with inherently high corrosion resistant properties
- Retraction dampening device restricting ultimate lifeline retraction velocity if released whilst extracted
- The toughened case is designed to resist impact damage and protect internal components
- The external roll cage provides easy floor level use whilst protecting product integrity
- All V-EDGE SRLs are individually serial number marked to ensure full traceability
- Rigid UV stable plastic case protects the tear webbing from damage
- Designed to be site serviceable and easily repaired by MSA Latchways trained Technicians; maximising availability.
- Clear case to allow visual inspection of internal components
- Incorporates a carry handle



General information

- For a single User only within the weight range 60 - 140 kg (130 - 310 lbs) (including tools).
- The V-EDGE SRL shall be examined, in accordance with MSA instructions, at least every 12 months. A periodic examination can be carried out on-site by a Competent person following MSA instructions' or an MSA trained Technician.



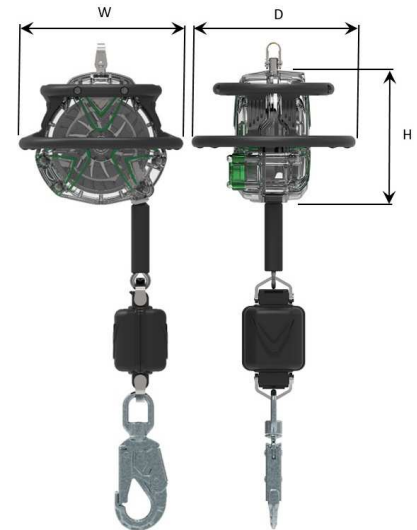
MSA V-EDGE™ Cable Self Retracting Lanyard



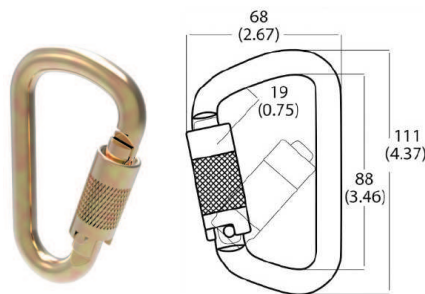
Leading Edge Self-Retracting Lanyard (SRL) for industrial maintenance

V-EDGE SRL Product Specifications

Material	
Case	Polycarbonate
Pawls	Hardened stainless steel
Chassis	Stainless steel
Fasteners	Stainless steel
Retraction spring	Stainless steel spring
Drum module	PC-ABS (Polycarbonate / ABS blend) with aluminium threaded plate
Cable lifeline	Galvanised steel
Locking mechanism	Stainless steel & Manganese bronze core
Snap hook	Forged galvanised steel / stainless steel with load indicator
External Roll Cage	Nylon
Energy Absorber	UHMWPE, Polypropylene, Stainless steel
Technical Specifications	
Length	6m
Size	190 x 217 x 217 (HxWxD)
Net weight	4.76 kg
Lanyard type	Ø5.5 mm galvanised steel cable (7x19)
Approvals	
EN 360:2002, CNB/P/11.060, CNB/P/11.062	



Available Connectors



Steel anchor karabiner



Steel swivel snaphook

Ordering Information

Part No.	Description
63406-00AEU	V-EDGE 6m galvanised cable SRL