

USER INSTRUCTIONS: ConceptAir Headpieces

Before using the headpiece, it is important that you read these instructions and those supplied with the Power Unit.

The table below shows the ConceptAir Systems that are certified and relevant approvals.

Part Number	Description	Respiratory Certification	Respiratory Protection Factor NPF/APF	Head/Eye Certification
R23CHFUVKIT	Helmet Visor PAPR System	EN 12941:1998+A2:2008 TH2P	NPF 50	EN 397 & EN 166
R23FUVNKIT	Visor PAPR System	EN 12941:1998+A2:2008 TH2P	NPF 50	EN 166
R23AWH9/13KIT	Welding Helmet PAPR System	EN 12941:1998+A2:2008 TH2P	NPF 50	EN 166 & EN 175

The Nominal Protection Factor (NPF) is derived from the laboratory tests undertaken in EN 12941. Please refer to EN 529 for country specific protection factor guidance.

WARNING

- Respiratory protection will be reduced unless the headpiece is correctly fitted and properly maintained.
- No respiratory protection is given when the visor is in the up position.
- The respiratory protection offered by visors and hoods may be reduced where high wind velocities exist.
- In the unlikely event that the power unit is switched off or not functioning little or no respiratory protection is provided.
- In the power off state a rapid build up of carbon dioxide and depletion of oxygen may occur.
- It is essential that the assembly and fitting of any protective equipment be done in a "clean air" environment.
- The wearer should leave the contaminated area and have all contamination removed from their person and clothes before removing the respiratory protection.

R23CHFUVKIT - Helmet with Polycarbonate Visor Headpiece

The **R23CHFUVKIT** is a helmet with a flip up visor which is fed air from the waist mounted power unit via a spiral reinforced PVC hose and lightweight internal air channel. The air is discharged into the top of the visor area maximising anti misting and directed to the breathing zone. R23CHFUVKIT is intended for use in places where there is a defined respiratory hazard and the user requires head, face and eye protection. The industrial safety helmet is intended to protect the wearer against falling objects and consequential brain injuries. The face/eye protection is intended to protect against impact and flying debris.

Please remove the protective cover from the outside of the visor prior to use.

Inspect the visor to ensure that there is no visible damage to the visor, browguard, headcover, faceseal or hose.

Inspect the headpiece to ensure that there is no visible damage to the helmet, visor assembly, headcover, faceseal or hose.

Fitting

Before donning the helmet connect the hose to the helmet and power unit and fit the waist belt with the buckle at the front.

Check that air is coming out of the front of the inner air channel in the helmet and adjust the head harness strap as required to comfortably position the head harness on the head.

Don the helmet and tighten the headband.

Note: For adequate head protection, this helmet must fit or be adjusted to the size of the user's head. Adjust the helmet by means of the headband found at the rear of the helmet for a secure and comfortable fit. This helmet is made to absorb the energy of a blow by partial destruction or damage to the shell and the harness or protective padding and even though such damage may not be obvious, any helmet subjected to severe impact should be replaced. Flip the visor down and pull the face seal under the chin ensuring a snug fit around the face.

Maintenance

Check before use that all parts are operational and undamaged. If in any doubt contact the manufacturer.

Replace visor covers frequently and the visor when scratched or damaged.

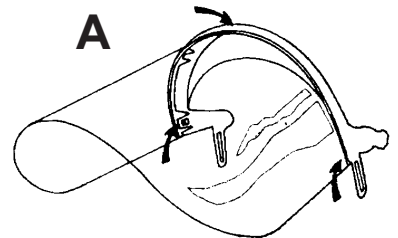
Other routine maintenance is limited to cleaning of the shell, hose and air channel, and replacement of the face seal as necessary. Do not modify or remove any of the original component parts of the helmet or other respiratory parts other than those recommended by the Manufacturer. Do not apply paint, solvents, adhesives or self-adhesive labels.

Fitting a new visor

To remove old visor, firstly remove the white stud located in the centre of the visor carrier (A) and remove visor.

To fit new visor, firstly locate the holes at both ends of the screen onto pegs in the screen carrier.

Apply gentle pressure at the front of the screen to push it in place. Then refit the white stud so that it goes through both the visor carrier and the visor central hole.

**Head/Face seal removal/replacement**

The head /face seal is fixed by means of Velcro, to replace:

- With the helmet placed on a flat surface, detach the hose assembly from the Air channel by holding the air channel anti-clockwise.
- Detach the old Head/face seal from the Velcro.
- Attach the head/face seal Velcro to the helmet Velcro, starting from the centre point follow the contours of the helmet ensuring that the joint is flat, even and without creases.

Cleaning

Wipe with a damp (not wet) soft cloth soaked with warm soapy water to clean the helmet, hose and air channel. Dry by wiping with a soft dry cloth.

Do not allow water to enter the air channel.

Care must be taken to avoid scratching. **WARNING: Do not clean with commercial solvents or organic compounds.**

The face seal may be washed at 40°C with domestic washing powder.

024-001-911 Rev B ConceptAir (Headpieces) 07/2019

PPE Regulation (EU) 2016/425 or PPE Directive 89/686/EEC: EU/EC (as applicable) Type-Examination by: BSI Group The Netherlands B.V., Say Building, John M. Keynesplein 9, 1066 EP, Amsterdam, The Netherlands (Notified Body No 2797) or BSI Assurance UK Ltd, Kitemark Court, Davy Avenue, Knowlhill, Milton Keynes MK5 8PP, UK (Notified Body No. 0086) as specified on the product label.

R23FUVNKIT Polycarbonate Visor Headpiece

The **R23FUVNKIT** is a flip up visor which is fed air from the waist mounted power unit via a spiral reinforced PVC hose and lightweight internal air channel. The air is discharged into the top of the visor area maximising anti misting and directed to the breathing zone. R23FUVNKIT is intended for use in places where there is a defined respiratory hazard and the user requires face and eye protection. The face/eye protection is intended to protect against impact and flying debris.

Please remove the protective cover from the outside of the visor prior to use.

Inspect the visor to ensure that there is no visible damage to the visor, browguard, headcover, faceseal or hose.

Fitting

Before donning the visor connect the hose to the visor and power unit and fit the waist belt with the buckle at the front.

Check that air is coming out of the front of the inner air channel. Don the visor and adjust the crown strap to achieve a comfortable fit with the headband above the ears. Adjust the head harness to the correct size using the rear ratchet knob. Flip the visor down and pull the face seal under the chin ensuring a snug fit around the face. Pull down the headcover so that it overlaps the edges of the browguard along the join with the visor. Tuck the head seal under rear edge of the browguard by the pivot point to achieve as close as fit as possible between the headcover and faceseal.

Fitting a new visor

The visor should be replaced when it becomes scratched or pitted.

To remove the visor firstly remove the three front studs by pushing them out from the inside.

Then press the visor to deflect the sides away from the browguard and remove.

To fit a new visor, locate the holes at both ends of the visor in the browguard.

Feed the screen into the slot in the browguard and apply gentle pressure at the front of the visor to deflect it over the central carrier peg until it locates into the central visor hole.

Ensure that all carrier pegs are fully located into the visor holes. Re-fit the two white studs into the front of the browguard through both the browguard and the visor.

Note: The headcover, faceseal, air hose or channel should be replaced if damaged.

Head/Face seal removal/replacement

The head /face seal is fixed by means of Velcro, to replace:

1. With the helmet placed on a flat surface, detach the hose assembly from the Air channel by holding the air channel firmly and twisting the bayonet fitting anti-clockwise.
2. Detach the old Head/face seal from the Velcro.
3. Attach the head/face seal Velcro to the helmet Velcro, starting from the centre point follow the contours of the helmet ensuring that the joint is flat, even and without creases.

Sweatband/head comfort pad removal/replacement

Both Sweatband and head comfort pad can be replaced very easily.

To replace Sweatband:

1. Remove 2 x ¼ turn bolts from air channel.
2. Remove old sweatband.
3. Locate the 4 x punched holes of the replacement sweatband over the 4 x headband retaining lugs.
4. Locate 2 x ¼ turn bolts into air channel and secure.
5. Fold sweatband over headband and locate on lugs.

Cleaning

Wipe with a damp (not wet) soft cloth soaked with warm soapy water to clean the visor, browguard and hose. Dry by wiping with a soft dry cloth. **Do not allow water to enter the air channel. WARNING: Do not clean with commercial solvents or organic compounds.** The face and Head seal may be washed at 40°C using domestic washing powder.

R23AWH9/13KIT – ADF Welding Helmet Headpiece

The **R23AWH9/13KIT** is an Auto Darkening Welding Helmet which is fed air from the waist mounted power unit via a spiral reinforced PVC hose and lightweight internal air channel. R23AWH9/13KIT is intended for use in places where there is a defined respiratory hazard and the user requires face and eye protection. The welding helmet is intended to protect against UV/IR, low impact particles and welding sparks.

The welding helmet is equipped with an Auto Darkening Welding filter (ADF). The filter is transparent before welding, so the operators may observe the work surface clearly. When striking arc, the filter darkens automatically in about 0.08ms. When arc goes out, the filter will become transparent again. The operator can set the switching time from dark to light within 0.1-0.9 second. The welding helmet is equipped with continuous darkness adjusting unit, so the operator may select an arbitrary dark shade number ranging from 5-13.

The welding helmet gives the operators permanent complete protection up to DIN15 against UV/IR even in transparent condition. The power is provided by solar cells and replaceable battery. The ADF is equipped with 4 sets of photosensors to sense arc light. In addition, the mask is also provided with an outer protection plate made of high polymer materials. The plate is wear-resistant, thermostable, and is anti-spatter, offering a long service life.

Remove the protective cover from the outside of the spatter lens and the inside of the ADF prior to first use.

Inspect the welding helmet assembly to ensure that there is no visible damage to the helmet, lenses, headcover, faceseal or hose.

WARNING

Read and understand all instructions before using.

- Be sure that the dark shade of the lens in the welding helmet is the correct shade number for your application.
- This helmets and lenses are not suitable for "overhead" welding application, laser welding, or laser cutting applications.
- Welding helmets are designed to protect the eyes and face from sparks, spatter, and harmful radiation under normal welding conditions.
- This helmet will not protect against explosive devices or corrosive liquids. Machine guards or eye splash protection must be used when these hazards are present.
- Avoid work positions that could expose unprotected areas of the body to spark, spatter, direct and/or reflected radiation. Use adequate protection if exposure cannot be avoided.
- Check for light tightness before each use. Before each use, check that the protection plates are clean and that no dirt is covering the sensors on the front of the lens.
- Inspect all operating parts before each use for signs of wear or damage. Any scratched, cracked, or pitted parts should be replaced immediately.
- Do not make any modifications to either the welding lens or helmet, other than those specified in this manual. Do not use any replacement parts other than those specified in this manual. Unauthorized modifications and replacement parts will void the warranty and expose the user to the risk of personal injury.
- If this lens does not darken when striking arc, stop welding immediately.
- Do not use any solvents on any lens or helmet components.
- The recommended operating temperature range for welding lens is -10°C-65°C (14°F-149°F). Do not use this device beyond these temperature limits.

024-001-911 Rev B ConceptAir (Headpieces) 07/2019

PPE Regulation (EU) 2016/425 or PPE Directive 89/686/EEC: EU/EC (as applicable) Type-Examination by: BSI Group The Netherlands B.V., Say Building, John M. Keynesplein 9, 1066 EP, Amsterdam, The Netherlands (Notified Body No 2797) or BSI Assurance UK Ltd, Kitemark Court, Davy Avenue, Knowlhill, Milton Keynes MK5 8PP, UK (Notified Body No. 0086) as specified on the product label.

Fitting

Before donning the welding helmet, connect the hose to the visor and power unit and fit the waist belt with the buckle at the front. Check that air is coming out of the front of the inner air channel. Ensure the sensors on the ADF are clean and unobscured. Make sure that the ADF holder is fitted tightly and that the fastener on the ADF is closed.

Don the welding helmet and adjust the crown strap to achieve a comfortable fit with the headband above the ears. Adjust the head harness to the correct size using the rear ratchet knob. Flip the welding helmet down and pull the face seal under the chin ensuring a snug fit around the face. **Tighten the drawstring.**

For optimum viewing, the angle of the headband inside the welding helmet can be adjusted.

Head/Face seal removal/replacement

The head /face seal is fixed to the welding helmet by means of Velcro, to replace:

1. With the helmet placed on a flat surface, detach the hose assembly from the Air channel by holding the air channel firmly and twisting the bayonet fitting anti-clockwise.
2. Detach the old Head/face seal from the Velcro.
3. Attach the head/face seal Velcro to the helmet Velcro, starting from the centre point follow the contours of the helmet ensuring that the joint is flat, even and without creases.

Sweatband/head comfort pad removal/replacement

Both Sweatband and head comfort pad can be replaced very easily.

To replace Sweatband:

1. Remove 2 x ¼ turn bolts from air channel.
2. Remove old sweatband.
3. Locate the 4 x punched holes of the replacement sweatband over the 4 x headband retaining lugs.
4. Locate 2 x ¼ turn bolts into air channel and secure.
5. Fold sweatband over headband and locate on lugs.

To replace head comfort pad:

1. Remove the old comfort pad, clean Velcro surface of any residue debris.
2. Refit new comfort pad, locate centrally on the headband and press Velcro firmly into place.

Cleaning

Wipe with a damp (not wet) soft cloth soaked with warm soapy water to clean the welding helmet, face seal and hose. Take care when cleaning outer/inner lenses as they may scratch. Dry by wiping with a soft dry cloth and allow to air dry. **Do not allow water to enter the air channel. WARNING: Do not clean with commercial solvents or organic compounds.**

ADF



Explanation of approval markings:

XA-1021	ADF model name
CSS	Manufacturer's marking
4/5-9/9-13	Shade ranges available (see recommended shade numbers table for applications)
1/1/1/1/379	Explanation of ADF certification
	1 = optical class
	1 = stray light class
	1 = homogeneity class
	1 = angle dependency class
	379 = EN 379 standard

To replace the ADF lens, simply move the switch at the bottom to the unlock position and pull slowly away from the helmet. The Battery and external switchgear need to be removed, by carefully pushing out the retaining clip at the top, releasing the locating slot at the bottom of the battery pack.

Weld/Grind Setting

Depending on whether you would like to weld or grind, set the weld/grind mode switch to the corresponding position.

Shade setting

In weld mode, select the shade in accordance with EN 379 (see table below).

To set the light sensitivity/delay:

- a. Set the control dial for light sensitivity to position HI (maximum light sensitivity).
- b. Slowly turn the control dial for light sensitivity counterclockwise until the ADF is no longer getting darker. The LO setting is suitable for high amperage welding and welding in bright conditions. The HI setting is suitable for low amperage welding, poor light conditions and TIG welding. We recommend using a higher sensitivity setting with this ADF.
- c. Set the delay from dark to light (0.1s MIN to 0.9s MAX) as required. The MIN setting is ideal for tack welding or production welding with short welds. The MAX setting is ideal for high amperage welding where there is an afterglow from the weld.

The power supply

The power supply for the R23AWH 9/13 ADF is provided by solar cells and one replaceable CR2450 lithium battery. Turning the ADF on or off is automatically controlled.

Low battery warning light

The low battery warning light will flash when the battery is low.

Grind flash

The grind light will flash when using grind function.

WARNING: To avoid any harm to eyes, do not conduct welding while on grinding mode

024-001-911 Rev B ConceptAir (Headpieces) 07/2019

PPE Regulation (EU) 2016/425 or PPE Directive 89/686/EEC: EU/EC (as applicable) Type-Examination by: BSI Group The Netherlands B.V., Say Building, John M. Keynesplein 9, 1066 EP, Amsterdam, The Netherlands (Notified Body No 2797) or BSI Assurance UK Ltd, Kitemark Court, Davy Avenue, Knowlhill, Milton Keynes MK5 8PP, UK (Notified Body No. 0086) as specified on the product label.

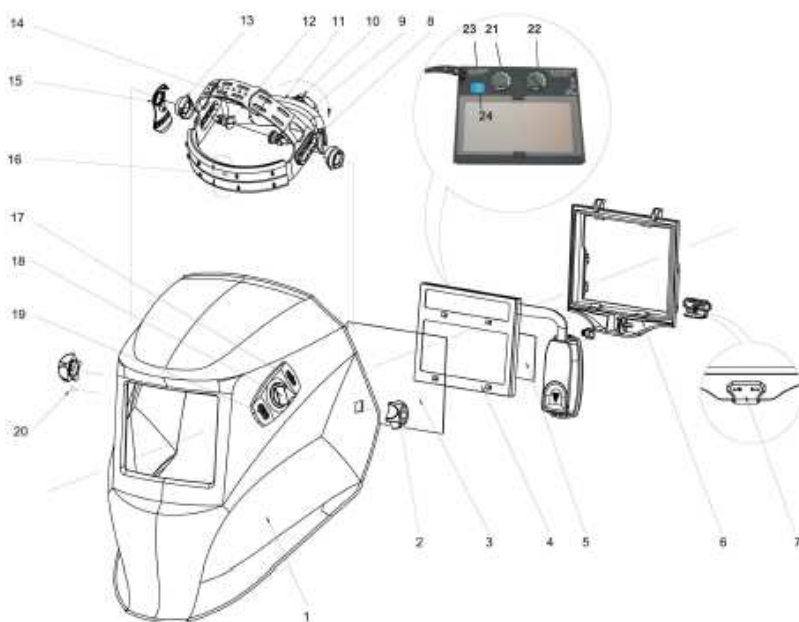
Centurion Safety Products Ltd

T: +44 (0) 1842 754266 | F: +44 (0) 1842 765590 | sales@centurionsafety.co.uk | 21 Howlett Way, Thetford, Norfolk, IP24 1HZ, England

centurionsafety.eu

Recommended Shade Numbers

Welding Procedure	Electric Current (A)																							
	1.5	6	10	15	30	40	60	70	100	125	150	175	200	225	250	300	350	400	450	500	600			
MMAW (coated electrodes)	8					9			10			11			12			13			14			
MAG	8					9			10			11			12			13			14			
TIG				8		9			10			11			12			13						
MIG						9			10			11			12			13		14				
MIG welding of light materials									10			11			12		13		14					
Air arc gouging						10					11			12		13		14		15				
Plasma jet cutting									9		10		11		12			13						
Micro Plasma welding	4		5		6		7		8		9		10		11		12							
	1.5	6	10	15	30	40	60	70	100	125	150	175	200	225	250	300	350	400	450	500	600			



- | | | |
|-----------------------------------|---|---|
| 1. Helmet Shell | 9. Headgear screw (with 3 slots) | 17. Shade range selecting button |
| 2. Block Nut | 10. Headband tightness adjusting knob | 18. Shade number adjustin knob |
| 3. Outer Protection Plate | 11. Headgear connector | 19. Weld/grind switch knob |
| 4. Automatic Filter | 12. Headgear screw (long on right) | 20. Positioning point for the segmental plate |
| 5. Inner protection plate | 13. Block washer (on right) | 21. Sensitivity knob |
| 6. Frame | 14. Headband adjusting buttons | 22. Delay knob |
| 7. ADF frame lock | 15. Segmental position plate (on right) | 23. Low battery warning light |
| 8. Headgear slider (with 3 slots) | 16. Sweatband M23SBWH | 24. Grind flash |

024-001-911 Rev B ConceptAir (Headpieces) 07/2019

PPE Regulation (EU) 2016/425 or PPE Directive 89/686/EEC: EU/EC (as applicable) Type-Examination by: BSI Group The Netherlands B.V., Say Building, John M. Keynesplein 9, 1066 EP, Amsterdam, The Netherlands (Notified Body No 2797) or BSI Assurance UK Ltd, Kitemark Court, Davy Avenue, Knowlhill, Milton Keynes MK5 8PP, UK (Notified Body No. 0086) as specified on the product label.

Centurion Safety Products Ltd
 T: +44 (0) 1842 754266 | F: +44 (0) 1842 765590 | sales@centurionsafety.co.uk | 21 Howlett Way, Thetford, Norfolk, IP24 1HZ, England
 centurionsafety.eu

Main Spares

Description	Code
Spare Helmet/Visor Headpiece	R23CHFUV
Spare Visor Headpiece	R23FUVN
Spare Welding Helmet Headpiece	R23AWH9/13
Spare ADF Welding Lens	R23ADFH9/13
Spare Welding Spatter Filter (10)	R23OLCH
Spare Inner Welding Lens Cover (10)	R23ILCH
Proban Hose Cover	R23PHS
Visor Covers (Helmet/Visor and Visor headpieces) (50)	R23VC50N
Sweatbands Disposable (Visor) (10)	R23SB
Sweatband + 2 bolts (Welding Visor)	R23SBAWH
Spare Faceseal (Helmet/Visor)	R23CHFUVF/PN
Spare Faceseal (Visor)	R23FN
Spare Faceseal (Welding Helmet)	R23CAWF
Spare Polycarbonate Visor for Helmet/Visor Headpiece	R23CHFUVVP
Spare Polycarbonate Visor c/w Velcro for Visor Headpiece	R23VN
Spare Hose Assembly (0.85m)	R23HAHD
Hose Assembly (1m Heavy Duty)	R23HAHDL

Explanation of Safety Helmet and Visor Approvals

The Safety Helmet is certified to the following standards:

EN 397

MM	Protection against Molten Metal splash
-40°C	Protection against impact at low temperatures
LD	Protection from lateral deformation
440V a.c.	Suitable for use in electrical voltage hazards up to 440V a.c.
1000V a.c.	Suitable for use in electrical voltage hazards up to 1000V a.c. (EN 50365)

Visors on the Helmet/Visor and Visor Headpieces are certified to the following standards:

EN 166

1	Highest optical class
B	Protection against impact (120 m/s)
3	Liquid splash protection
9	Molten metal splash protection

Storage (all headpieces)

All headpieces must be stored in a clean dry atmosphere within the temperature range -5°C to +55°C at RH<90% in its original packaging. Ideal storage conditions are 5°C to 35°C R.H. < 60%. Transport in original packaging. If stored in correct conditions the product has a 5-year shelf life.

Guarantee

All ConceptAir Head Pieces are guaranteed free from any faults in materials or workmanship. Should any such faults develop within 12 months of purchase then Centurion Safety Products Ltd will, at their discretion, repair or replace the headpiece without charge.

WEEE



WEEE (Refers to Power unit, Battery and Charger ONLY)

THESE PRODUCTS SHOULD NOT BE DISPOSED OF IN GENERAL MUNICIPAL WASTE

- The crossed-out wheeled bin symbol, with the solid bar, shown on this product, its packaging or instructions indicates that the product is subject to European Community directive 2002/96/EC on correct handling of Waste Electronic and Electrical Equipment (WEEE).
- WEEE cannot be disposed of as municipal waste and must be collected and disposed of separately. Appropriate public or private waste collection systems defined by national and local regulations should be used.
- The product may contain substances which could harm the environment or human health if disposed of incorrectly.

For further information or for EU/EC (as applicable) Declaration of Conformities, please visit our web site centurionsafety.eu

024-001-911 Rev B ConceptAir (Headpieces) 07/2019

PPE Regulation (EU) 2016/425 or PPE Directive 89/686/EEC: EU/EC (as applicable) Type-Examination by: BSI Group The Netherlands B.V., Say Building, John M. Keynesplein 9, 1066 EP, Amsterdam, The Netherlands (Notified Body No 2797) or BSI Assurance UK Ltd, Kitemark Court, Davy Avenue, Knowlhill, Milton Keynes MK5 8PP, UK (Notified Body No. 0086) as specified on the product label.

Centurion Safety Products Ltd
T: +44 (0) 1842 754266 | F: +44 (0) 1842 765590 | sales@centurionsafety.co.uk | 21 Howlett Way, Thetford, Norfolk, IP24 1HZ, England
centurionsafety.eu



CONSIGNES D'UTILISATION : Ensemble de tête ConceptAir

Avant d'utiliser l'ensemble de tête, il est important de lire ces consignes ainsi que celles fournies avec l'unité d'alimentation.

Le tableau ci-dessous montre les appareils ConceptAir certifiés ainsi que les homologations concernées.

Référence	Description	Certification de protection respiratoire	Facteur de protection respiratoire NPF/APF	Certification de protection tête/yeux
R23CHFUVKIT	Appareil à ventilation assistée avec visière et casque	EN 12941:1998+A2:2008 TH2P	NPF 50	EN 397 & EN 166
R23FUVNKIT	Appareil à ventilation assistée avec casque	EN 12941:1998+A2:2008 TH2P	NPF 50	EN 166
R23AWH9/13KIT	Appareil à ventilation assistée avec casque de soudage	EN 12941:1998+A2:2008 TH2P	NPF 50	EN 166 & EN 175

Le facteur de protection nominal (NPF) résulte de tests en laboratoire entrepris dans le cadre de la norme EN 12941. Se reporter à la norme EN 529 pour des conseils sur le facteur de protection spécifique au pays.

AVERTISSEMENT

- La protection respiratoire sera réduite, sauf si l'ensemble de tête est correctement monté et entretenu.
- Aucune protection respiratoire n'est fournie quand la visière est en position relevée.
- La protection respiratoire fournie par les visières et les cagoules peut être réduite en présence de vents forts.
- Dans le cas improbable où le groupe moteur est éteint ou ne fonctionne pas, une protection respiratoire faible ou nulle est fournie.
- En mode hors tension, une accumulation rapide de dioxyde de carbone et une diminution de l'oxygène peuvent se produire.
- Il est essentiel que le montage et l'ajustement de tout appareil de protection soient effectués dans un environnement à "air pur".
- L'utilisateur doit quitter la zone contaminée et éliminer toute contamination de sa personne et de ses vêtements avant de retirer la protection respiratoire.

R23CHFUVKIT - Casque avec ensemble de tête à visière en polycarbonate

Le modèle **R23CHFUVKIT** est un casque à visière relevable qui reçoit de l'air de l'unité d'alimentation montée à la taille via un tuyau en PVC spirale renforcé et un canal d'air interne léger. L'air est évacué dans le haut de la zone de la visière, ce qui optimise les propriétés antibuée, et est dirigé vers la zone de respiration. **R23CHFUVKIT** est conçu pour des environnements où il existe un danger respiratoire contraignant l'utilisateur à porter des protections de la tête, du visage et des yeux. Le casque de sécurité à usage industriel est conçu pour protéger le porteur contre la chute d'objets et d'éventuelles lésions cérébrales en résultant. La protection du visage/des yeux est conçue pour protéger le porteur contre les impacts et les débris volants.

Retirez le cache de protection depuis l'extérieur de la visière avant utilisation.

Inspectez la visière pour vérifier qu'il n'y a pas de dommages visibles à la visière, à la protection frontale, à la coiffe, à la bordure d'étanchéité ou au tuyau.

Inspectez l'ensemble de tête pour vérifier qu'il n'y a pas de dommages visibles au casque, à l'ensemble visière, à la coiffe, à la bordure d'étanchéité ou au tuyau.

Ajustement

Avant de mettre le casque, raccordez le tuyau au casque et à l'unité d'alimentation, et serrez la ceinture avec la boucle située sur le devant.

Vérifiez que l'air sort de l'avant du canal d'air intérieur dans le casque et ajustez la sangle du harnais de tête comme nécessaire pour positionner confortablement le harnais de tête sur la tête.

Mettez le casque et serrez le serre-tête.

Note : Pour une protection adéquate de la tête, ce casque doit convenir ou être ajusté à la taille de la tête de son utilisateur. Ajustez le casque au moyen du serre-tête qui se trouve à l'arrière du casque pour un ajustement sûr et confortable. Ce casque est conçu pour absorber l'énergie d'un choc par destruction partielle ou dommage à la coque et au harnais ou au rembourrage de protection, et même si un dommage de cette nature peut ne pas être évident, tout casque soumis à un impact violent doit être remplacé. Baissez la visière et tirez la bordure d'étanchéité sous le menton pour garantir un ajustement parfait autour du visage.

Maintenance

Avant utilisation, vérifiez que toutes les pièces sont en état de fonctionnement et non endommagées. En cas de doute, contactez le fabricant.

Remplacez fréquemment les caches de visière et la visière lorsqu'elle est rayée ou endommagée.

Une autre opération de maintenance de routine consiste à nettoyer la coque, le tuyau et le canal d'air, et à remplacer la bordure d'étanchéité si nécessaire.

Ne modifiez pas et ne retirez pas les pièces d'origine du casque ou d'autres pièces de protection respiratoire, autres que celles conseillées par le fabricant.

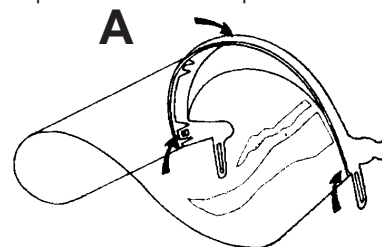
N'appliquez pas de peinture, solvants, adhésifs ou étiquettes autocollantes.

Montage d'une nouvelle visière

Pour retirer l'ancienne visière, retirez d'abord le goujon blanc situé au centre du porte-visière (A) et retirez la visière.

Pour monter la nouvelle visière, placez d'abord les orifices aux deux extrémités de l'écran aux chevilles du porte-écran.

Appliquez une légère pression sur l'avant de l'écran pour le mettre en place. Remontez ensuite le goujon blanc de façon qu'il se positionne à travers le porte-visière et l'orifice central de la visière.



Retrait/remplacement de la bordure d'étanchéité/joint de tête

La bordure d'étanchéité/joint de tête est fixée par du Velcro. Pour la remplacer :

- Placez le casque sur une surface plane, détachez le tuyau du canal d'air en tenant fermement la fixation à baïonnette dans le sens anti-horaire.
- Détachez l'ancienne bordure d'étanchéité/joint de tête du Velcro.
- Fixez le Velcro de la bordure d'étanchéité/joint de tête au Velcro du casque, en commençant par le point central puis en suivant les contours du casque en vous assurant que la bordure est plate, égale et sans plis.

Nettoyage

Essuyez avec un chiffon doux humide (pas mouillé) trempé dans de l'eau savonneuse chaude pour nettoyer le casque, le tuyau et le canal d'air. Séchez en passant un chiffon doux et propre.

024-001-911 Rev B 07/2019 ConceptAir (Ensembles de tête)

Règlement (UE) 2016/425 ou directive 89/686/CEE relatifs aux EPI : Examen de type UE/CE (le cas échéant) réalisé par : BSI Group The Netherlands B.V., Say Building, John M. Keynesplein 9, 1066 EP, Amsterdam, Pays-Bas (organisme notifié n° 2797) ou BSI Assurance UK Ltd, Kitemark Court, Davy Avenue, Knowlhill, Milton Keynes MK5 8PP, Royaume-Uni (organisme notifié n° 0086) comme indiqué sur l'étiquette du produit.

Centurion Safety Products Ltd

T: +44 (0) 1842 754266 | F: +44 (0) 1842 765590 | sales@centurionsafety.co.uk | 21 Howlett Way, Thetford, Norfolk, IP24 1HZ, England

centurionsafety.eu

Ne laissez pas d'eau pénétrer dans le canal d'air.

Veillez à éviter les rayures. **AVERTISSEMENT : Ne nettoyez pas avec des solvants du commerce ni des composés organiques.**

La bordure d'étanchéité peut être lavée à 40 °C avec du détergent ménager.

Ensemble de tête à visière en polycarbonate R23FUVNKIT

Le modèle **R23FUVNKIT** est une visière relevable qui reçoit de l'air de l'unité d'alimentation montée à la taille via un tuyau en PVC spirale renforcé et un canal d'air interne léger. L'air est évacué dans le haut de la zone de la visière, ce qui optimise les propriétés antibuée, et est dirigé vers la zone de respiration. **R23FUVNKIT** est conçu pour des environnements où il existe un danger respiratoire contraignant l'utilisateur à porter des protections du visage et des yeux. La protection du visage/des yeux est conçue pour protéger le porteur contre les impacts et les débris volants.

Retirez le cache de protection depuis l'extérieur de la visière avant utilisation.

Inspectez la visière pour vérifier qu'il n'y a pas de dommages visibles à la visière, à la protection frontale, à la coiffe, à la bordure d'étanchéité ou au tuyau.

Ajustement

Avant de mettre la visière, raccordez le tuyau à la visière et à l'unité d'alimentation, et serrez la ceinture avec la boucle située sur le devant.

Vérifiez que l'air sort de l'avant du canal d'air interne. Mettez la visière et ajustez la sangle de la couronne pour obtenir un ajustement confortable, avec le serre-tête au-dessus des oreilles. Réglez le harnais de tête à la taille correcte au moyen du bouton à cliquet arrière. Baissez la visière et tirez la bordure d'étanchéité sous le menton pour garantir un ajustement parfait autour du visage. Tirez la coiffe vers le bas pour qu'elle recouvre les bords de la protection frontale le long du joint avec la visière. Rentrez le joint de tête sous le bord arrière de la protection frontale par le point pivot pour obtenir un ajustement aussi serré que possible entre la coiffe et la bordure d'étanchéité.

Montage d'une nouvelle visière

La visière doit être remplacée quand elle est rayée ou piquée.

Pour retirer la visière, retirez d'abord les trois goujons avant en les poussant depuis l'intérieur.

Ensuite, appuyez sur la visière pour courber les bords en les écartant de la protection frontale et retirez-la.

Pour monter une nouvelle visière, placez d'abord les orifices aux deux extrémités de la visière dans la protection frontale.

Rentrez l'écran dans l'encoche de la protection frontale et appuyez légèrement à l'avant de la visière pour la courber au-dessus de la cheville centrale porteuse jusqu'à ce qu'elle se place dans l'orifice central de la visière.

Assurez-vous que toutes les chevilles porteuses sont complètement placées dans les orifices de la visière. Remontez les deux goujons blancs à l'avant de la protection frontale par la protection frontale et la visière.

Note : La coiffe, la bordure d'étanchéité, le tuyau d'air ou le canal doivent être remplacés s'ils sont endommagés.

Retrait/remplacement de la bordure d'étanchéité/joint de tête

La bordure d'étanchéité/joint de tête est fixée par du Velcro. Pour la remplacer :

1. Placez le casque sur une surface plane, détachez le tuyau du canal d'air en tenant fermement le canal d'air et en tournant la fixation à baïonnette dans le sens anti-horaire.
2. Détachez l'ancienne bordure d'étanchéité/joint de tête du Velcro.
3. Fixez le Velcro de la bordure d'étanchéité/joint de tête au Velcro du casque, en commençant par le point central puis en suivant les contours du casque en vous assurant que la bordure est plate, égale et sans plis.

Retrait/remplacement du bandeau/plaque de confort

Le bandeau et la plaque de confort peuvent être remplacés très facilement.

Pour remplacer le bandeau :

1. Retirez les 2 fixations ¼ du canal d'air.
2. Retirez l'ancien bandeau.
3. Placez les 4 trous poinçonnés du bandeau de remplacement sur les 4 ergots de retenue du serre-tête.
4. Placez les 2 fixations ¼ dans le canal d'air et serrez.
5. Pliez le bandeau sur le serre-tête et placez sur les ergots.

Nettoyage

Essayez avec un chiffon doux humide (pas mouillé) trempé dans de l'eau savonneuse chaude pour nettoyer la visière, le bandeau et le tuyau. Séchez en passant un chiffon doux et propre. **Ne laissez pas d'eau pénétrer dans le canal d'air. AVERTISSEMENT : Ne nettoyez pas avec des solvants du commerce ni des composés organiques.** La bordure d'étanchéité et le joint de tête peuvent être lavés à 40 °C avec du détergent ménager.

R23AWH9/13KIT – Ensemble de tête casque de soudage ADF

Le modèle **R23AWH9/13KIT** est un casque de soudage auto-obscurecissant qui reçoit de l'air de l'unité d'alimentation montée à la taille via un tuyau en PVC spirale renforcé et un canal d'air interne léger. **R23AWH9/13KIT** est conçu pour des environnements où il existe un danger respiratoire contraignant l'utilisateur à porter des protections du visage et des yeux. Le casque de soudage est conçu pour protéger contre les UV/IR, les particules à faible impact et les étincelles de soudage.

Le casque de soudage est équipé d'un filtre de soudage auto-obscurecissant (ADF). Le filtre est transparent avant le soudage, ainsi les opérateurs peuvent observer clairement la surface de travail. En amorçant un arc, le filtre fonce automatiquement, en environ 0,08 ms. Quand l'arc s'arrête, le filtre redevient transparent. L'opérateur peut régler la durée de basculement du foncé au clair entre 0,1-0,9 seconde. Le casque de soudage est équipé d'une unité de réglage continu de l'obscurité, pour que l'opérateur puisse sélectionner un numéro de teinte arbitraire allant de 5 à 13.

Le casque de soudage apporte aux opérateurs une protection complète et permanente allant jusqu'à DIN15 contre les UV/IR, même en mode transparent. L'alimentation est fournie par des cellules solaires et une batterie remplaçable. L'ADF est équipé de 4 jeux de photodétecteurs pour détecter la lumière de l'arc. En outre, le masque est également doté d'une plaque de protection externe fabriquée en matériaux à haut polymère. La plaque résiste à l'usure, elle est thermostable et anti-projection, pour une longue durée de conservation.

Retirez le cache de protection de l'extérieur de l'oculaire anti-projection et de l'intérieur de l'ADF avant la première utilisation.

Inspectez l'ensemble du casque de soudage pour vérifier qu'il n'y a pas de dommages visibles au casque, aux oculaires, à la coiffe, à la bordure d'étanchéité ou au tuyau.

AVERTISSEMENT

Lisez et comprenez bien toutes les consignes avant utilisation.

- Assurez-vous que la teinte foncée de l'oculaire dans le casque de soudage est le numéro de teinte correct pour votre application.
- Ce casque et les oculaires ne conviennent pas à une application de soudage en hauteur, au soudage laser ou aux applications de découpe au laser.
- Les casques de soudage sont conçus pour protéger les yeux et le visage des étincelles, projections et des rayonnements nocifs dans des conditions de soudage normales.
- Ce casque ne protège pas des dispositifs explosifs ni des liquides corrosifs. Des protections de machine ou une protection des yeux contre les projections doivent être utilisées lorsque ces dangers sont présents.
- Évitez des positions de travail qui peuvent exposer des zones non protégées du corps aux étincelles, projections, rayonnements directs et/ou réfléchis. Utilisez une protection adéquate si l'exposition ne peut pas être évitée.

024-001-911 Rev B 07/2019 ConceptAir (Ensembles de tête)

Règlement (UE) 2016/425 ou directive 89/686/CEE relatifs aux EPI : Examen de type UE/CE (le cas échéant) réalisé par : BSI Group The Netherlands B.V., Say Building, John M. Keynesplein 9, 1066 EP, Amsterdam, Pays-Bas (organisme notifié n° 2797) ou BSI Assurance UK Ltd, Kitemark Court, Davy Avenue, Knowlhill, Milton Keynes MK5 8PP, Royaume-Uni (organisme notifié N° 0086) comme indiqué sur l'étiquette du produit.

Centurion Safety Products Ltd

T: +44 (0) 1842 754266 | F: +44 (0) 1842 765590 | sales@centurionsafety.co.uk | 21 Howlett Way, Thetford, Norfolk, IP24 1HZ, England

centurionsafety.eu



- Vérifiez l'étanchéité à la lumière avant chaque utilisation. Avant chaque utilisation, vérifiez que les plaques de protection sont propres et qu'aucune saleté ne recouvre les capteurs à l'avant de l'oculaire.
- Inspectez toutes les pièces avant chaque utilisation à la recherche de signes d'usure ou de dommage. Toutes les pièces rayées, fissurées ou piquées doivent être immédiatement remplacées.
- Ne faites aucune modification à l'oculaire de soudage ou au casque, autre que celles spécifiées dans le présent manuel. N'utilisez pas de pièces de rechange autres que celles spécifiées dans le présent manuel. Des modifications ou des pièces de rechange non autorisées annulent la garantie et exposent l'utilisateur à un risque de blessure.
- Si cet oculaire ne s'obscurcit pas à l'amorçage d'un arc, cessez immédiatement le soudage.
- N'utilisez pas de solvants sur l'oculaire ou les composants du casque.
- La plage recommandée de température de fonctionnement pour l'oculaire de soudage est comprise entre -10 °C et 65 °C. N'utilisez pas cet appareil au-delà de ces limites de température.

Ajustement

Avant de mettre le casque de soudage, raccordez le tuyau à la visière et à l'unité d'alimentation, et serrez la ceinture avec la boucle située sur le devant. Vérifiez que l'air sort de l'avant du canal d'air interne. Assurez-vous que les capteurs sur l'ADF sont propres et non obstrués. Assurez-vous que le support de l'ADF est solidement fixé et que la fixation sur l'ADF est fermée.

Mettez le casque de soudage et ajustez la sangle de la couronne pour obtenir un ajustement confortable avec le serre-tête au-dessus des oreilles. Réglez le harnais de tête à la taille correcte au moyen du bouton à cliquet arrière. Baissez le casque de soudage et tirez la bordure d'étanchéité sous le menton pour garantir un ajustement parfait autour du visage. **Serrez le cordon.**

Pour une vision optimale, l'angle du serre-tête à l'intérieur du casque de soudage peut être ajusté.

Retrait/remplacement de la bordure d'étanchéité/joint de tête

La bordure d'étanchéité/joint de tête est fixé au casque de soudage par du Velcro. Pour la remplacer :

1. Placez le casque sur une surface plane, détachez le tuyau du canal d'air en tenant fermement le canal d'air et en tournant la fixation à baïonnette dans le sens anti-horaire.
2. Détachez l'ancienne bordure d'étanchéité/joint de tête du Velcro.
3. Fixez le Velcro de la bordure d'étanchéité/joint de tête au Velcro du casque, en commençant par le point central puis en suivant les contours du casque en vous assurant que la bordure est plate, égale et sans plis.

Retrait/remplacement du bandeau/plaque de confort

Le bandeau et la plaque de confort peuvent être remplacés très facilement.

Pour remplacer le bandeau :

1. Retirez les 2 fixations ¼ du canal d'air.
2. Retirez l'ancien bandeau.
3. Placez les 4 trous poinçonnés du bandeau de remplacement sur les 4 ergots de retenue du serre-tête.
4. Placez les 2 fixations ¼ dans le canal d'air et serrez.
5. Pliez le bandeau sur le serre-tête et placez sur les ergots.

Pour remplacer la plaque de confort de tête :

1. Retirez l'ancienne plaque de confort, nettoyez la surface du Velcro de tous résidus et débris.
2. Replacez une nouvelle plaque de confort, placez-la au centre du serre-tête et appuyez fermement sur le Velcro pour la mettre en place.

Nettoyage

Essayez avec un chiffon doux humide (pas mouillé) trempé dans de l'eau savonneuse chaude pour nettoyer le casque de soudage, la bordure d'étanchéité et le tuyau. Faites attention en nettoyant les oculaires internes/externes car ils peuvent se rayer. Séchez en passant un chiffon doux et sec, et laissez sécher à l'air.

Ne laissez pas d'eau pénétrer dans le canal d'air. AVERTISSEMENT : Ne nettoyez pas avec des solvants du commerce ni des composés organiques.

ADF



Explication des marquages d'homologation :

XA-1021	Nom du modèle d'ADF
CSS	Marquage du fabricant
4/5-9/9-13	Gammes de teintes disponibles (voir le tableau des numéros de teintes recommandées aux applications)
1/1/1/1/379	Explication de la certification ADF
	1 = classe optique
	1 = classe de lumière parasite
	1 = classe d'homogénéité
	1 = classe de dépendance de l'angle
	379 = norme EN 379

Pour remplacer l'oculaire ADF, déplacez simplement le contacteur situé en bas pour déverrouiller la position et tirez lentement du casque. La batterie et l'appareillage électrique externe doivent être retirés en poussant soigneusement le clip de retenue situé en haut vers l'extérieur, ce qui dégage l'encoche de positionnement en bas du bloc-batterie.

Réglage soudage/meulage

Selon que vous voulez souder ou meuler, réglez le contacteur de mode soudage/meulage sur la position correspondante.

Réglage teinte

En mode soudage, sélectionnez la teinte conformément à la norme EN 379 (voir tableau ci-dessous).

Pour régler la sensibilité/décalage de lumière :

- a. Réglez la molette de commande de la sensibilité à la lumière sur la position HI (sensibilité maximum à la lumière).
- b. Tournez lentement la molette de commande de la sensibilité à la lumière dans le sens anti-horaire jusqu'à ce que l'ADF ne s'obscurisse plus. Le réglage LO convient à un soudage à ampérage élevé et à un soudage dans des conditions de forte luminosité. Le réglage HI convient à un soudage à faible ampérage, à des conditions de médiocre luminosité et à un soudage TIG. Nous recommandons d'utiliser un réglage de sensibilité plus élevé avec cet ADF.
- c. Réglez le décalage de sombre à éclairé (0,1 s MIN à 0,9 s MAX) comme nécessaire. Le réglage MIN est idéal pour la soudure de pointage ou le soudage de production avec des soudures courtes. Le réglage MAX est idéal pour le soudage à ampérage élevé lorsqu'il existe une luminescence résiduelle du soudage.

L'alimentation électrique

L'alimentation électrique du modèle R23AWH 9/13 ADF est fournie par des cellules solaires et une batterie lithium CR2450 remplaçable. La mise sous tension ou hors tension de l'ADF est contrôlée automatiquement.

024-001-911 Rev B 07/2019 ConceptAir (Ensembles de tête)

Règlement (UE) 2016/425 ou directive 89/686/CEE relatifs aux EPI : Examen de type UE/CE (le cas échéant) réalisé par : BSI Group The Netherlands B.V., Say Building, John M. Keynesplein 9, 1066 EP, Amsterdam, Pays-Bas (organisme notifié n° 2797) ou BSI Assurance UK Ltd, Kitemark Court, Davy Avenue, Knowlhill, Milton Keynes MK5 8PP, Royaume-Uni (organisme notifié N° 0086) comme indiqué sur l'étiquette du produit.

Centurion Safety Products Ltd
T: +44 (0) 1842 754266 | F: +44 (0) 1842 765590 | sales@centurionsafety.co.uk | 21 Howlett Way, Thetford, Norfolk, IP24 1HZ, England

centurionsafety.eu



Témoin de batterie faible

Le témoin de batterie faible clignote quand la batterie est faible.

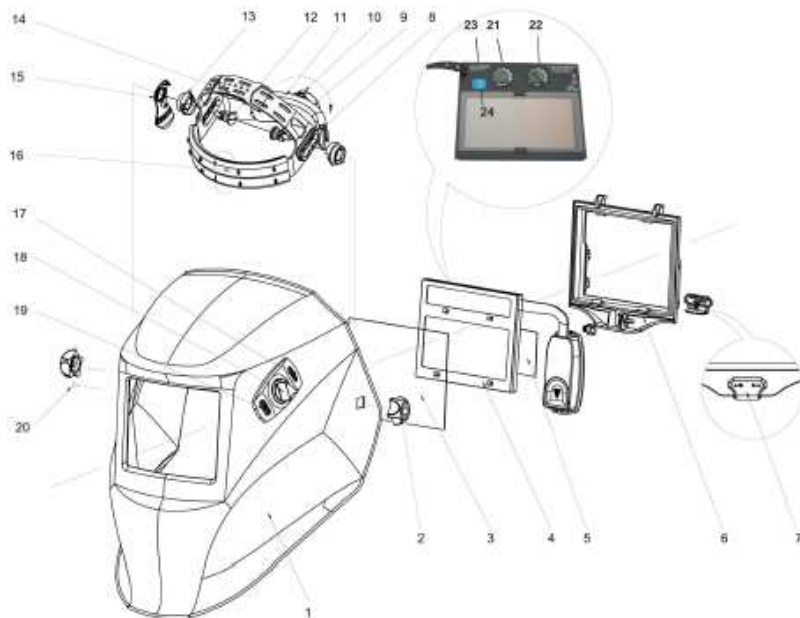
Témoin de meulage

Le témoin de meulage clignote pendant l'utilisation de la fonction meulage.

AVERTISSEMENT : Pour éviter tout dommage aux yeux, ne réalisez pas de soudage en mode meulage.

Numéros de teinte recommandés

Procédé de soudage	Courant électrique (A)																															
	1,5	6	10	15	30	40	60	70	100	125	150	175	200	225	250	300	350	400	450	500	600											
Soudage manuel à l'arc métallique (électrodes enrobées)	8				9				10				11				12				13				14							
MAG	8				9				10				11				12				13				14							
TIG	8				9				10				11				12				13											
MIG									9				10				11				12				13				14			
Soudage MIG de matériaux légers													10				11				12				13				14			
Gougeage à l'air-arc									10				11				12				13				14				15			
Coupage au jet de plasma													9				10				11				12				13			
Soudage à l'arc microplasma	4		5		6		7		8		9		10		11		12															
	1,5	6	10	15	30	40	60	70	100	125	150	175	200	225	250	300	350	400	450	500	600											



- | | | |
|--|--|--|
| 1. Coque du casque | 9. Vis de l'ensemble de tête (avec 3 encoches) | 17. Bouton de sélection de la gamme de teintes |
| 2. Écrou de blocage | 10. Bouton de réglage de l'étanchéité du serre-tête | 18. Bouton de réglage du numéro de teinte |
| 3. Plaque de protection externe | 11. Contacteur de l'ensemble de tête | 19. Bouton interrupteur soudage/meulage |
| 4. Filtre automatique | 12. Vis de l'ensemble de tête (longue sur la droite) | 20. Point de positionnement de la plaque segmentaire |
| 5. Plaque de protection interne | 13. Rondelle de blocage (sur la droite) | 21. Bouton de sensibilité |
| 6. Cadre | 14. Boutons de réglage du serre-tête | 22. Bouton de décalage |
| 7. Verrouillage du cadre ADF | 15. Plaque de position à segments (sur la droite) | 23. Témoin de batterie faible |
| 8. Curseur de l'ensemble de tête (avec 3 encoches) | 16. Bandeau M23SBWH | 24. Témoin de meulage |

024-001-911 Rev B 07/2019 ConceptAir (Ensembles de tête)

Règlement (UE) 2016/425 ou directive 89/686/CEE relatifs aux EPI : Examen de type UE/CE (le cas échéant) réalisé par : BSI Group The Netherlands B.V., Say Building, John M. Keynesplein 9, 1066 EP, Amsterdam, Pays-Bas (organisme notifié n° 2797) ou BSI Assurance UK Ltd, Kitemark Court, Davy Avenue, Knowlhill, Milton Keynes MK5 8PP, Royaume-Uni (organisme notifié N° 0086) comme indiqué sur l'étiquette du produit.

Centurion Safety Products Ltd
T: +44 (0) 1842 754266 | F: +44 (0) 1842 765590 | sales@centurionsafety.co.uk | 21 Howlett Way, Thetford, Norfolk, IP24 1HZ, England
centurionsafety.eu

Principales pièces de rechange

Description	Code
Ensemble de tête casque/visière de rechange	R23CHFUV
Ensemble de tête visière de rechange	R23FUVN
Ensemble de tête casque de soudage de rechange	R23AWH9/13
Oculaire de soudage ADF de rechange	R23ADFH9/13
Filtre contre les projections de soudure de rechange (10)	R23OLCH
Cache-oculaire de soudage intérieur de rechange (10)	R23ILCH
Gaine de tuyau en Proban	R23PHS
Cache-visière (ensembles de tête casque/visière et visière) (50)	R23VC50N
Bandeaux jetables (visière) (10)	R23SB
Bandeau + 2 boulons (visière de soudage)	R23SBAWH
Bordure d'étanchéité de rechange (casque/visière)	R23CHFUVF/PN
Bordure d'étanchéité de rechange (visière)	R23FN
Bordure d'étanchéité de rechange (casque de soudage)	R23CAWF
Visière en polycarbonate de rechange pour ensemble de tête casque/visière	R23CHFUVVP
Visière en polycarbonate de rechange avec Velcro pour ensemble de tête visière	R23VN
Ensemble tuyau de rechange (0,85 m)	R23HAHD
Ensemble tuyau (1 m très résistant)	R23HAHDL

Explication des homologations du casque de sécurité et de la visière

Le casque de sécurité est certifié conformément aux normes suivantes :

EN 397

MM	Protection contre les projections de métaux en fusion
-40 °C	Protection contre les impacts à basse température
LD	Protection contre la déformation latérale
440 V C.A.	Convient à une utilisation avec des risques de tension électrique jusqu'à 440 V C.A.
1000V C.A.	Convient à une utilisation avec des risques de tension électrique jusqu'à 1000V C.A. (EN 50365)

Les visières sur les ensembles de tête casque/visière et visière sont certifiées conformément aux normes suivantes :

EN 166

1	Classe optique la plus élevée
B	Protection contre les impacts (120 m/s)
3	Protection les projections liquides
9	Protection contre les projections de métaux en fusion

Stockage (tous les ensembles de tête)

Tous les ensembles de tête doivent être stockés dans une atmosphère sèche et propre, dans la gamme de température allant de -5 °C à +55 °C à une HR <90 % dans leur emballage d'origine. Les conditions de stockage idéales sont entre 5 °C et 35 °C avec une HR < 60 %. Transport dans l'emballage d'origine. En conditions de stockage appropriées, le produit a une durée de conservation de 5 ans.

Garantie

Toutes les pièces de l'ensemble de tête ConceptAir sont garanties exemptes de tout défaut de matériel et de fabrication. Si des défauts se produisaient dans les 12 mois après l'achat, Centurion Safety Products Ltd, à sa discrétion, réparera ou remplacera l'ensemble de tête sans frais.

DEEE (déchets d'équipements électriques et électroniques)



DEEE (concerne UNIQUEMENT le groupe moteur, la batterie et le chargeur)

CES PRODUITS NE DOIVENT PAS ÊTRE ÉLIMINÉS AVEC LES ORDURES MÉNAGÈRES

- Le symbole d'une poubelle barrée d'une croix, avec la barre noire, présent sur ce produit, son emballage ou sa notice indique que le produit est soumis à la directive européenne 2002/96/CE relative à la gestion correcte des déchets d'équipements électriques et électroniques (DEEE).
- Les DEEE ne peuvent pas être éliminés avec les ordures ménagères, mais triés et éliminés séparément. Des systèmes de collecte, publics ou privés, appropriés, définis par les réglementations locales et nationales doivent être utilisés.
- Le produit peut contenir des substances qui peuvent porter atteinte à l'environnement ou à la santé s'il est éliminé de façon incorrecte.

Pour plus d'informations ou pour consulter la Déclaration de conformité UE/CE (le cas échéant), rendez-vous sur notre site Internet centurionsafety.eu

024-001-911 Rev B 07/2019 ConceptAir (Ensembles de tête)

Règlement (UE) 2016/425 ou directive 89/686/CEE relatifs aux EPI : Examen de type UE/CE (le cas échéant) réalisé par : BSI Group The Netherlands B.V., Say Building, John M. Keynesplein 9, 1066 EP, Amsterdam, Pays-Bas (organisme notifié n° 2797) ou BSI Assurance UK Ltd, Kitemark Court, Davy Avenue, Knowlhill, Milton Keynes MK5 8PP, Royaume-Uni (organisme notifié n° 0086) comme indiqué sur l'étiquette du produit.

Centurion Safety Products Ltd
T: +44 (0) 1842 754266 | F: +44 (0) 1842 765590 | sales@centurionsafety.co.uk | 21 Howlett Way, Thetford, Norfolk, IP24 1HZ, England
centurionsafety.eu



BEDIENUNGSANLEITUNG ConceptAir Kopfteil

Vor der Verwendung des Kopfteils müssen die vorliegenden Anweisungen und die mit der Leistungseinheit gelieferten Anweisungen gelesen und verstanden worden sein.

Der nachstehenden Tabelle sind die zertifizierten ConceptAir-Systeme sowie die entsprechenden Zulassungen zu entnehmen.

Artikelnummer	Beschreibung	Zertifizierung bzgl. Atemwege	Atemschutzfaktor NPF (Nominaler Schutzfaktor) / APF (Zugewiesener Schutzfaktor)	Zertifizierung bzgl. Kopf/ Augen
R23CHFUVKIT	Helmvisier PAPR-System (luftreinigendes Atemgerät)	EN 12941:1998+A2:2008 TH2P	NPF 50	EN 397 & EN 166
R23FUVNKIT	Visier PAPR-System (luftreinigendes Atemgerät)	EN 12941:1998+A2:2008 TH2P	NPF 50	EN 166
R23AWH9/13KIT	Schweißerhelm PAPR-System (luftreinigendes Atemgerät)	EN 12941:1998+A2:2008 TH2P	NPF 50	EN 166 & EN 175

Der nominale Schutzfaktor (NPF) wird aus den gemäß EN 12941 durchgeführten Labortests abgeleitet. Bitte beziehen Sie sich für länderspezifische Informationen über den Schutzfaktor auf EN 529.

WARNUNG

- Der Atemschutz kann seine Funktion nur dann erfüllen, wenn das Kopfteil korrekt sitzt und sachgemäß gewartet wird.
- Mit hochgeklapptem Visier besteht kein Atemschutz.
- Der von den Visieren und Hauben gebotene Atemschutz kann in Bereichen mit hohen Windgeschwindigkeiten eingeschränkt sein.
- In dem unwahrscheinlichen Fall des Abschaltens oder des Ausfalls der Leistungseinheit wird nur geringer oder kein Atemschutz geboten.
- Im ausgeschalteten Zustand kann es zu einem raschen Anstieg der Kohlendioxid-Konzentration und einer Erschöpfung des Sauerstoffvorrats kommen.
- Der Zusammenbau und das Anpassen einer Schutzausrüstung muss in einer Umgebung mit „sauberer“ Luft erfolgen.
- Der Träger muss den kontaminierten Bereich verlassen und sich von allen Kontaminationen befreien lassen, bevor er den Atemschutz abnimmt.

R23CHFUVKIT - Helm mit Kopfteil mit Polycarbonat-Visier

Das Modell **R23CHFUVKIT** ist ein Helm mit Klappvisier, dessen Luftzufuhr mittels einer an der Taille befestigten Leistungseinheit über einen spiralverstärkten PVC-Schlauch und eine leichte Luftführung erfolgt. Die Luft tritt über dem Visierbereich ein, maximiert dadurch die Anti-Beschlag-Funktion und wird auf den Atembereich gerichtet.

R23CHFUVKIT ist für den Gebrauch in Umgebungen vorgesehen, in denen eine definierte Gefahr für die Atemwege besteht und der Benutzer einen Kopf-, Gesichts- und Augenschutz benötigt. Der Industrieschutzhelm ist zum Schutz des Trägers gegen fallende Gegenstände und daraus resultierende Gehirnverletzungen vorgesehen. Der Gesicht-/Augenschutz ist zum Schutz des Trägers gegen Stöße und herumfliegende Trümmer vorgesehen.

Vor dem Gebrauch die Schutzabdeckung außen am Visier entfernen.

Das Visier überprüfen und sicherstellen, dass am Visier, am Augenbrauenschutz, an der Kopfbedeckung, an der Gesichtsdichtung oder dem Schlauch keine sichtbaren Schäden vorliegen.

Das Kopfteil überprüfen und sicherstellen, dass am Helm, an der Visier-Baugruppe, an der Kopfbedeckung, an der Gesichtsdichtung oder dem Schlauch keine sichtbaren Schäden vorliegen.

Anpassen

Bevor Sie den Helm aufsetzen, muss der Schlauch an Helm und Leistungseinheit angeschlossen werden. Ziehen Sie den Taillengurt mit nach vorne weisender Schnalle fest. Prüfen Sie, dass Luft aus der Vorderseite der inneren Luftführung in den Helm eintritt und passen Sie den Riemen der Kopfbänderung so an, dass die Kopfbänderung bequem am Kopf liegt.

Setzen Sie den Helm auf und ziehen Sie das Stirnband fest.

Hinweis: Für einen geeigneten Kopfschutz muss dieser Helm der Kopfgröße des Trägers entsprechen oder ihr angepasst werden. Stellen Sie den Helm mithilfe des Stirnbandes an der Rückseite des Helms auf einen sicheren, angenehmen Sitz ein. Dieser Helm nimmt die Energie eines Schlags auf, indem die Schale und die Bänderung oder die Schutzpolsterung teilweise zerstört oder beschädigt werden. Da diese Schäden mit bloßem Auge nicht zwangsläufig sichtbar sind, müssen Helme, die einem starken Schlag ausgesetzt waren, in jedem Fall ersetzt werden. Klappen Sie das Visier nach unten und ziehen Sie die Gesichtsdichtung unter das Kinn, das Gesicht muss passgenau umschlossen sein.

Instandhaltung

Vor Gebrauch prüfen, dass alle Teile funktionsfähig und unbeschädigt sind. Wenden Sie sich bei Zweifeln in jedem Fall an den Hersteller.

Ersetzen Sie die Visierabdeckung möglichst häufig. Das Visier muss ersetzt werden, wenn es zerkratzt oder beschädigt ist.

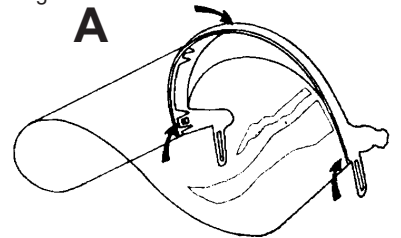
Die weiteren Instandhaltungsmaßnahmen beschränken sich auf die Reinigung der Schale, des Schlauchs und der Luftführung, der Gesichtsdichtung. Die Originalbestandteile des Helms oder Teile des Atemschutzsystems dürfen weder entfernt noch von der Hersteller empfohlenen Teile ersetzt werden. Keine Farbe, Lösemittel, Klebstoffe oder Aufkleber verwenden oder anbringen.

Ein neues Visier einsetzen

Entfernen Sie zum Abbau des Visiers zuerst den weißen Stift in der Mitte des Visierträgers (A) und nehmen Sie dann das Visier ab.

Zum Einsetzen des Visiers die Löcher an beiden Enden der Scheibe auf die Stifte im Scheibenträger setzen.

Die Scheibe durch leichten Druck auf die Vorderseite in Position schieben. Setzen Sie dann den weißen Stift so ein, dass er durch den Visierträger und das Visier-Mittelloch hindurch geht.



Entfernung/Austausch der Kopf-/Gesichtsdichtung

Die Kopf-/Gesichtsdichtung ist mit einem Klettverschluss befestigt. Gehen Sie zum Austausch wie folgt vor:

1. Legen Sie den Helm auf eine ebene Fläche, trennen Sie die Schlauchbaugruppe von der Luftführung, indem Sie die Luftführung festhalten und den Bajonettverschluss gegen den Uhrzeigersinn drehen.
2. Die alte Kopf-/Gesichtsdichtung vom Klettband lösen.
3. Das Klettband der Kopf-/Gesichtsdichtung mit dem Klettband des Helms verbinden. Beginnen Sie dazu am Mittelpunkt und folgen Sie der Umrandung des Helms und achten Sie darauf, dass die Dichtung flach, glatt und faltenfrei ist.

024-001-911 Rev B 07/2019 ConceptAir (Kopfteile)

PSA-Verordnung (EU) 2016/425 oder PSA-Richtlinie 89/686/EWG: EU-/EG-Baumusterprüfung (je nach Anwendbarkeit) durch: BSI Group The Netherlands B.V., Say Building, John M. Keynesplein 9, 1066 EP, Amsterdam, Niederlande (Benannte Stelle Nr. 2797) oder BSI Assurance UK Ltd, Kitemark Court, Davy Avenue, Knowlhill, Milton Keynes MK5 8PP, Vereinigtes Königreich (Benannte Stelle Nr. 0086), wie auf dem Produktetikett angegeben.

Centurion Safety Products Ltd
T: +44 (0) 1842 754266 | F: +44 (0) 1842 765590 | sales@centurionsafety.co.uk | 21 Howlett Way, Thetford, Norfolk, IP24 1HZ, England

centurionsafety.eu

Reinigung

Mit einem mit Seifenwasser angefeuchteten (nicht nassem) weichen Tuch den Helm, den Schlauch und die Luftführung reinigen. Mit einem weichen Tuch trocknen.

In den Luftkanal darf kein Wasser eintreten.

Kratzer sind zu verhindern. **WARNUNG: Nicht mit handelsüblichen Lösemitteln oder organischen Verbindungen reinigen.**

Die Gesichtsdichtung kann bei 40 °C mit normalem Waschpulver gewaschen werden.

R23FUVNKIT Kopfstück mit Polycarbonat-Visier

Das Modell **R23FUVNKIT** ist ein Klappvisier, dessen Luftzufuhr mittels einer an der Taille befestigten Leistungseinheit über einen spiralverstärkten PVC-Schlauch und eine leichte Luftführung erfolgt. Die Luft tritt über dem Visierbereich ein, maximiert dadurch die Anti-Beschlag-Funktion und wird auf den Atembereich gerichtet. **R23FUVNKIT** ist für den Gebrauch in Umgebungen vorgesehen, in denen eine definierte Gefahr für die Atemwege besteht und der Benutzer einen Gesichts- und Augenschutz benötigt.

Der Gesichts-/Augenschutz ist zum Schutz des Trägers gegen Stöße und herumfliegende Trümmer vorgesehen.

Vor dem Gebrauch die Schutzabdeckung außen am Visier entfernen.

Das Visier überprüfen und sicherstellen, dass am Visier, am Augenbrauenschutz, an der Kopfbedeckung, an der Gesichtsdichtung oder dem Schlauch keine sichtbaren Schäden vorliegen.

Anpassen

Bevor Sie das Visier aufsetzen, muss der Schlauch an Visier und Leistungseinheit angeschlossen werden. Ziehen Sie den Taillengurt mit nach vorne weisender Schnalle fest. Prüfen, dass Luft aus der Vorderseite der inneren Luftführung austritt. Setzen Sie das Visier auf und passen Sie den Riemen an, bis ein angenehmer Sitz mit über den Ohren verlaufendem Stirnband erreicht ist. Stellen Sie die Kopfbänderung mithilfe des Rastknopfs hinten auf die passende Größe ein. Klappen Sie das Visier nach unten und ziehen Sie die Gesichtsdichtung unter das Kinn, das Gesicht muss passgenau umschlossen sein. Ziehen Sie die Kopfbedeckung nach unten, bis sie über die Kanten des Brauenschlutzes entlang des Übergangs zum Visier reicht. Stecken Sie die Kopfdichtung am Drehpunkt unter die hintere Kante des Brauenschlutzes, damit diese so eng wie möglich zwischen der Kopfbedeckung und der Gesichtsdichtung anliegt.

Ein neues Visier einsetzen

Ersetzen Sie das Visier, wenn es zerkratzt ist oder Lochfraßstellen aufweist.

Entfernen Sie zur Abnahme des Visiers zunächst die drei vorderen Bolzen, indem Sie sie von innen herausdrücken.

Drücken Sie dann das Visier, um die Seiten vom Brauenschutz zu lösen, und nehmen Sie es ab.

Zum Einsetzen eines neuen Visiers die Löcher an beiden Enden des Visiers am Brauenschutz lokalisieren.

Die Scheibe in den Schlitz im Brauenschutz schieben und leicht auf die Vorderseite des Visiers drücken, um es über den Trägerstift in der Mitte zu biegen, bis er im Mittelloch des Visiers einrastet.

Vergewissern Sie sich, dass alle Trägerstifte komplett in den Visierlöchern sitzen. Setzen Sie die beiden weißen Bolzen wieder in die Vorderseite des Brauenschlutzes ein, indem Sie sie über den Brauenschutz und das Visier einführen. Hinweis: Kopfbedeckung, Gesichtsdichtung, Luftschlauch oder Luftführung müssen bei Beschädigungen ersetzt werden.

Entfernung/Austausch der Kopf-/Gesichtsdichtung

Die Kopf-/Gesichtsdichtung ist mit einem Klettverschluss befestigt. Gehen Sie zum Austausch wie folgt vor:

1. Legen Sie den Helm auf eine ebene Fläche, trennen Sie die Schlauchbaugruppe von der Luftführung, indem Sie die Luftführung festhalten und den Bajonettverschluss gegen den Uhrzeigersinn drehen.
2. Die alte Kopf-/Gesichtsdichtung vom Klettband lösen.
3. Das Klettband der Kopf-/Gesichtsdichtung mit dem Klettband des Helms verbinden. Beginnen Sie dazu am Mittelpunkt und folgen Sie der Umrandung des Helms und achten Sie darauf, dass die Dichtung flach, glatt und faltenfrei ist.

Entfernung/Austausch von Schweißband/Polsterung

Der Austausch von Schweißband und Polsterung ist einfach.

Das Schweißband austauschen:

1. Die zwei 1/4-Umdrehungsbolzen von der Luftführung lösen.
2. Das alte Schweißband entfernen.
3. Die 4 gestanzten Löcher am Ersatz-Schweißband auf die 4 Haltetaschen des Schweißbands setzen.
4. Die zwei 1/4-Umdrehungsbolzen in die Luftführung setzen und sichern.
5. Das Schweißband über das Stirnband falten und die Laschen lokalisieren.

Reinigung

Mit einem mit Seifenwasser angefeuchteten (nicht nassem) weichen Tuch das Visier, den Brauenschutz und den Schlauch reinigen. Mit einem weichen Tuch trocknen. **In den Luftkanal darf kein Wasser eintreten. WARNUNG: Nicht mit handelsüblichen Lösemitteln oder organischen Verbindungen reinigen.**

Die Gesichts- und Kopfbedeckung kann bei 40 °C mit normalem Waschpulver gewaschen werden.

R23AWH9/13KIT – Kopfteil für Schweißhelm mit automatisch abdunkelndem Filter

Das Modell **R23AWH9/13KIT** ist ein Schweißhelm mit aktivem Filter für den Schutz der Augen, dessen Luftzufuhr mittels einer an der Taille befestigten Leistungseinheit über einen spiralverstärkten PVC-Schlauch und eine leichte Luftführung erfolgt. **R23AWH9/13KIT** ist für den Gebrauch in Umgebungen vorgesehen, in denen eine definierte Gefahr für die Atemwege besteht und der Benutzer einen Gesichts- und Augenschutz benötigt. Der Schweißschutzhelm ist zum Schutz gegen UV/IR, Partikel mit geringer Aufprallenergie und Schweißfunken vorgesehen.

Der Schweißhelm ist mit einem automatisch abdunkelnden Filter (ADF) ausgerüstet. Der Filter ist vor Beginn des Schweißens unsichtbar, damit der Schweißer die Arbeitsfläche deutlich sehen kann. Bei Zünden des Lichtbogens dunkelt der Filter binnen 0,08 ms automatisch ein. Erlöscht der Lichtbogen, wird der Filter wieder unsichtbar. Der Schweißer kann den Wechsel von dunkel zu hell in der Spanne 0,1 - 0,9 Sekunden einstellen. Der Schweißhelm verfügt über eine Einheit zur kontinuierlichen Verdunkelungsanpassung, der Schweißer kann eine beliebige Dunkelstufe zwischen 5 und 13 wählen.

Der Schweißhelm bietet dem Schweißer auch bei kompletter Transparenz einen permanenten Vollschutz bis DIN15 gegen UV/IR-Strahlung. Die Stromversorgung erfolgt über Solarzellen und einen austauschbaren Akku. Der automatisch abdunkelnde Filter ist zur Erkennung des Lichtbogens mit 4 Sätzen Lichtsensoren ausgerüstet. Zusätzlich verfügt die Maske außen über eine Schutzplatte aus Hochpolymer. Die Platte ist verschleißfest und wärmebeständig und hat einen Funkensprühschutz.

Entfernen Sie vor dem ersten Gebrauch die Schutzschicht außen an der Funkensprühschutzscheibe und innen am aktiv eindunkelnden Filter.

Den gesamten Schweißhelm überprüfen und sicherstellen, dass am Helm, an den Scheiben, an der Kopfbedeckung, an der Gesichtsdichtung oder dem Schlauch keine sichtbaren Schäden vorliegen.

WARNUNG

Alle Anweisungen vor dem Gebrauch gelesen und verstanden haben.

- Vergewissern Sie sich, dass die Verdunkelung der Scheibe des Schweißhelms auf die Ihrer Anwendung entsprechende Stufe eingestellt wurde.
- Diese Helme und Scheiben sind nicht für Schweißen „über dem Kopf“, Laserschweißen und Laserschneiden geeignet.
- Schweißhelms sind dafür ausgelegt, die Augen und das Gesicht unter normalen Schweißbedingungen vor Funken, Spritzern und schädlicher Strahlung zu schützen.
- Dieser Helm schützt nicht vor explosiven Vorrichtungen oder ätzenden Flüssigkeiten. Liegen Gefahren dieser Art vor, muss ein Maschinenschutz oder ein Spritzschutz für die Augen verwendet werden.

024-001-911 Rev B 07/2019 ConceptAir (Kopfteile)

PSA-Verordnung (EU) 2016/425 oder PSA-Richtlinie 89/686/EWG: EU-EG-Baumusterprüfung (je nach Anwendbarkeit) durch: BSI Group The Netherlands B.V., Say Building, John M. Keynesplein 9, 1066 EP, Amsterdam, Niederlande (Benannte Stelle Nr. 2797) oder BSI Assurance UK Ltd, Kitemark Court, Davy Avenue, Knowlhill, Milton Keynes MK5 8PP, Vereinigtes Königreich (Benannte Stelle Nr. 0086), wie auf dem Produktetikett angegeben.

Centurion Safety Products Ltd

T: +44 (0) 1842 754266 | F: +44 (0) 1842 765590 | sales@centurionsafety.co.uk | 21 Howlett Way, Thetford, Norfolk, IP24 1HZ, England

centurionsafety.eu



- Vermeiden Sie Arbeitspositionen, die ungeschützte Körperbereiche Funken, Spritzern und/oder reflektierter Strahlung aussetzen könnten. Verwenden Sie einen geeigneten Schutz, wenn eine Exposition unvermeidbar ist.
- Vor jedem Gebrauch auf Lichtdichtigkeit prüfen. Überprüfen Sie vor jedem Gebrauch, dass die Schutzplatten sauber sind und die Sensor an der Vorderscheibe nicht mit Schmutz bedeckt sind.
- Überprüfen Sie alle Funktionsteile vor jedem Gebrauch auf Anzeichen von Verschleiß oder Schäden. Teile mit Kratzern, Rissen oder Lochfraßstellen sind unverzüglich zu ersetzen.
- Am Schweißerschutz oder an der Scheibe dürfen keine Veränderung vorgenommen werden, die nicht in dieser Anleitung beschrieben sind. Verwenden Sie keine anderen Ersatzteile als diejenigen, die in diesem Handbuch angegeben sind. Unerlaubte Änderungen und Ersatzteile bewirkt ein Erlöschen der Gewährleistung und setzt den Nutzer einer Verletzungsgefahr aus.
- Hören Sie sofort auf zu schweißen, wenn bei Zündung des Lichtbogens keine Verdunkelung der Scheibe eintritt.
- Verwenden Sie niemals Lösemittel für irgendeinen Teil der Scheibe oder des Helms.
- Die empfohlene Betriebstemperatur der Schweißerscheibe beträgt -10 °C bis 65 °C. Verwenden Sie dieses Gerät niemals außerhalb des angegebenen Temperaturbereichs.

Anpassen

Bevor Sie den Schweißerschutz aufsetzen, muss der Schlauch an Visier und Leistungseinheit angeschlossen werden. Ziehen Sie den Taillengurt mit nach vorne weisender Schnalle fest. Prüfen, dass Luft aus der Vorderseite der inneren Luftführung austritt. Sicherstellen, dass die Sensoren auf dem aktiv abdunkelnden Filter (ADF) sauber und klar sind. Die Halterung des ADF muss fest sitzen, der Verschluss des AFD muss geschlossen sein.

Setzen Sie den Schweißerschutz auf und passen Sie den Riemen an, bis ein angenehmer Sitz mit über den Ohren verlaufendem Stirnband erreicht ist. Stellen Sie die Kopfbänderung mithilfe des Rastknopfs hinten auf die passende Größe ein. Klappen Sie den Schweißerschutz nach unten und ziehen Sie die Gesichtsdichtung unter das Kinn, das Gesicht muss passgenau umschlossen sein. **Den Kordelzug festziehen.**

Für optimale Sicht kann der Winkel des Stirnbands innen im Schweißerschutz eingestellt werden.

Entfernung/Austausch der Kopf-/Gesichtsdichtung

Die Kopf-/Gesichtsdichtung ist mit einem Klettverschluss am Schweißerschutz befestigt. Gehen Sie zum Austausch wie folgt vor:

1. Legen Sie den Helm auf eine ebene Fläche, trennen Sie die Schlauchbaugruppe von der Luftführung, indem Sie die Luftführung festhalten und den Bajonettverschluss gegen den Uhrzeigersinn drehen.
2. Die alte Kopf-/Gesichtsdichtung vom Klettband lösen.
3. Das Klettband der Kopf-/Gesichtsdichtung mit dem Klettband des Helms verbinden. Beginnen Sie dazu am Mittelpunkt und folgen Sie der Umrandung des Helms und achten Sie darauf, dass die Dichtung flach, glatt und faltenfrei ist.

Entfernung/Austausch von Schweißband/Polsterung

Der Austausch von Schweißband und Polsterung ist einfach.

Das Schweißband austauschen:

1. Die zwei 1/4-Umdrehungsbolzen von der Luftführung lösen.
2. Das alte Schweißband entfernen.
3. Die 4 gestanzten Löcher am Ersatz-Schweißband auf die 4 Haltetaschen des Schweißbands setzen.
4. Die zwei 1/4-Umdrehungsbolzen in die Luftführung setzen und sichern.
5. Das Schweißband über das Stirnband falten und die Laschen lokalisieren.

Die Kopfpolsterung austauschen:

1. Entfernen Sie die alte Polsterung und beseitigen Sie im Klettband verbliebene Reststücke.
2. Eine neue Polsterung einsetzen, mittig auf dem Stirnband positionieren und das Klettband festdrücken.

Reinigung

Mit einem mit Seifenwasser angefeuchteten (nicht nassem) weichen Tuch den Schweißerschutz, die Gesichtsdichtung und den Schlauch reinigen. Gehen Sie zur Vermeidung von Kratzern bei der Reinigung der Innen-/Außenscheibe behutsam vor. Mit einem weichen Tuch trocknen, danach an der Luft vollständig trocknen lassen. **In den Luftkanal darf kein Wasser eintreten. WARNUNG: Nicht mit handelsüblichen Lösemitteln oder organischen Verbindungen reinigen.**

Aktiv abdunkelnder Filter (ADF)



Erläuterung der Genehmigungszeichen:

XA-1021	ADF Modellname
CSS	Herstellerzeichen
4/5-9/9-13	Verfügbare Verdunkelungsstufen (die empfohlenen Verdunkelungsstufen sind der Anwendungstabelle zu entnehmen)
1/1/1/1/379	Erläuterung der ADF-Zertifizierung
	1 = Optische Klasse
	1 = Streulichtklasse
	1 = Homogenitätsklasse
	1 = Blickwinkel-Abhängigkeitsklasse
	379 = Norm EN 379

Für den Austausch der ADF-Scheibe einfach den Schalter an der Unterseite in die entriegelte Stellung bewegen und behutsam vom Helm wegziehen. Der Akku und die externe Schalteinheit werden entfernt, indem der Halteclip an der Oberseite behutsam herausgedrückt wird, um die Aufnahme unter dem Akkupack zu lösen.

Einstellung für Schweißen/Schleifen

Stellen Sie den Schalter Weld/Grind (Schweißen/Schleifen) je nach auszuführender Arbeit in die entsprechende Stellung.

Einstellung der Verdunkelungsstufe

Wählen Sie im Schweißmodus eine Verdunkelungsstufe gemäß EN 379 (siehe nachstehende Tabelle).

Einstellung von Empfindlichkeit/Verzögerung:

- a. Den Drehregler für Lichtempfindlichkeit in Position HI (maximale Lichtempfindlichkeit) stellen.
- b. Den Drehregler für Lichtempfindlichkeit langsam gegen den Uhrzeigersinn drehen, bis der aktive Filter (ADF) nicht mehr eindunkelt. Die Einstellung „LO“ eignet sich für Schweißen mit hoher Stromstärke und Schweißen in sehr heller Umgebung. Die Einstellung „HI“ eignet sich für Schweißen mit geringer Stromstärke, schlechten Lichtbedingungen und WIG-Schweißen. Wir empfehlen, mit diesem ADF eine höhere Empfindlichkeitsstufe zu wählen.
- c. Stellen Sie die Verzögerung des Wechsels von dunkel nach hell den Anforderungen entsprechend ein (MIN 0,1s bis MAX 0,9s). Die Einstellung MIN ist ideal für Heftschiessen oder Fertigungsschweißung mit kurzen Schweißzeiten. Die Einstellung MAX ist ideal für Schweißen mit hoher Stromstärke, wenn ein Nachglühen durch Schweißen besteht.

024-001-911 Rev B 07/2019 ConceptAir (Kopfteile)

PSA-Verordnung (EU) 2016/425 oder PSA-Richtlinie 89/686/EWG: EU-/EG-Baumusterprüfung (je nach Anwendbarkeit) durch: BSI Group The Netherlands B.V., Say Building, John M. Keynesplein 9, 1066 EP, Amsterdam, Niederlande (Benannte Stelle Nr. 2797) oder BSI Assurance UK Ltd, Kitemark Court, Davy Avenue, Knowlhill, Milton Keynes MK5 8PP, Vereinigtes Königreich (Benannte Stelle Nr. 0086), wie auf dem Produktetikett angegeben.

Primäre Ersatzteile

Beschreibung	Code
Ersatz-Kopfteil Helm/Visier	R23CHFUV
Ersatz-Kopfteil Visier	R23FUVN
Ersatz-Kopfteil Schweißerhelm	R23AWH9/13
Ersatz-Schweißscheibe mit aktivem Filter (ADF)	R23ADFH9/13
Ersatz-Spritzerfilter Schweißen (10)	R23OLCH
Ersatz-Abdeckung Schweißscheibe innen (10)	R23ILCH
Proban-Schlauchüberzug	R23PHS
Visierabdeckungen (Helm/Visier und Visier-Kopfteile) (50)	R23VC50N
Einweg-Schweißbänder (Visier) (10)	R23SB
Schweißband + 2 Bolzen (Schweiß-Visier)	R23SBAWH
Ersatz-Gesichtsdichtung (Helm/Visier)	R23CHFUVF/PN
Ersatz-Gesichtsdichtung (Visier)	R23FN
Ersatz-Gesichtsdichtung (Schweißerhelm)	R23CAWF
Ersatz-Visier aus Polycarbonat für Kopfteil Helm/Visier	R23CHFUVVP
Ersatz-Visier aus Polycarbonat für Visier-Kopfteil mit Klettverschluss	R23VN
Ersatz-Schlauchbaugruppe (0,85 m)	R23HAHD
Schlauchbaugruppe (1 m, strapazierfähig)	R23HAHDL

Erläuterung der Zulassungen von Sicherheitshelm und Visier

Der Sicherheitshelm besitzt die Zulassung gemäß folgender Normen:

EN 397

MM	Schutz gegen flüssige Metallspritzer
-40°C	Schutz gegen Einschlag bei Niedrigtemperaturen
LD	Schutz gegen seitliche Verformung
440V a.c.	Geeignet für den Gebrauch mit Stromspannungen bis 400 V AC
1000V a.c.	Geeignet für den Gebrauch mit Stromspannungen bis 1000 V AC (EN 50365)

Helmvisiere/Visiere und Visier-Kopfbedeckungen sind gemäß folgenden Normen zertifiziert:

EN 166

1	Höchste optische Klasse
B	Schutz gegen Schlageinwirkungen (120 m/s)
3	Schutz gegen Spritzer
4	Schutz gegen flüssige Metallspritzer

Lagerung (alle Kopfteile)

Alle Kopfbedeckungen müssen in trockener, sauberer Umgebung im Temperaturbereich -5 °C bis +55 °C bei einer relativen Luftfeuchte von <90 % in der Originalverpackung gelagert werden. Die idealen Lagerungsbedingungen sind 5 - 35 °C bei einer relativen Luftfeuchte von < 60 %. In der Originalverpackung transportieren. Bei Lagerung unter korrekten Bedingungen beträgt die Haltbarkeitsdauer 5 Jahre.

Garantie

Alle Kopfbedeckungen von ConceptAir sind garantiert frei von Material- und Verarbeitungsfehlern. Sollte irgendein Fehler dieser Art binnen 12 Monaten nach dem Kauf auftreten, übernimmt Centurion Safety Products Ltd die kostenfreie Reparatur oder tauscht den Artikel um.

WEEE



WEEE-Richtlinie (betrifft NUR Leistungseinheit, Akku und Ladegerät)

DIESE PRODUKTE DÜRFEN NICHT MIT DEM HAUSMÜLL ENTSORGT WERDEN

- Die auf diesem Produkt, in der Bedienungsanleitung oder auf der Verpackung erscheinende durchgestrichene Mülltonne zeigt an, dass das Produkt Richtlinie 2002/96/EG über die Entsorgung von elektrischen und elektronischen Altgeräten (WEEE) unterliegt.
- Altgeräte im Sinne der WEEE-Richtlinie dürfen nicht mit dem Hausmüll entsorgt werden. Diese Produkte sind spezialisierten öffentlichen oder privaten Sammelstellen zuzuführen.
- Das Produkt kann Substanzen enthalten, die der menschlichen Gesundheit oder der Umwelt schaden, wenn sie nicht ordnungsgemäß entsorgt werden.

Weitere Informationen oder EU-/EG-Konformitätserklärungen (je nach Anwendbarkeit) finden Sie auf unserer Webseite centurionsafety.eu

024-001-911 Rev B 07/2019 ConceptAir (Kopfteile)

PSA-Verordnung (EU) 2016/425 oder PSA-Richtlinie 89/686/EWG: EU-/EG-Baumusterprüfung (je nach Anwendbarkeit) durch: BSI Group The Netherlands B.V., Say Building, John M. Keynesplein 9, 1066 EP, Amsterdam, Niederlande (Benannte Stelle Nr. 2797) oder BSI Assurance UK Ltd, Kitemark Court, Davy Avenue, Knowlhill, Milton Keynes MK5 8PP, Vereinigtes Königreich (Benannte Stelle Nr. 0086), wie auf dem Produktetikett angegeben.

Centurion Safety Products Ltd
T: +44 (0) 1842 754266 | F: +44 (0) 1842 765590 | sales@centurionsafety.co.uk | 21 Howlett Way, Thetford, Norfolk, IP24 1HZ, England
centurionsafety.eu



INSTRUCCIONES DE USUARIO: Sistemas de protección respiratoria ConceptAir

Antes de utilizar el sistema de protección respiratoria, es importante que lea estas instrucciones y las suministradas con la unidad de alimentación.

La siguiente tabla muestra los sistemas ConceptAir homologados y las aprobaciones pertinentes.

Referencia	Descripción	Homologación de protección respiratoria	Factor de protección respiratoria FPN/FPA	Homologación de protección de cabeza/ocular
R23CHFUVKIT	Sistema de respiración motorizado con casco y pantalla	EN 12941:1998+A2:2008 TH2P	FPN 50	EN 397 y EN 166
R23FUVNKIT	Sistema de respiración motorizado con pantalla	EN 12941:1998+A2:2008 TH2P	FPN 50	EN 166
R23AWH9/13KIT	Sistema de respiración motorizado con casco de soldadura	EN 12941:1998+A2:2008 TH2P	FPN 50	EN 166 y EN 175

El factor de protección nominal (FPN) se deriva de las pruebas de laboratorio realizadas para EN 12941. Consulte la norma EN 529 para obtener orientación sobre factores de protección específicos de cada país.

ADVERTENCIA

- La protección respiratoria se reducirá si el sistema de protección no está correctamente ajustado y debidamente conservado.
- No se recibe protección respiratoria si la pantalla está levantada.
- La protección respiratoria proporcionada por las pantallas y los capuces puede verse reducida en condiciones atmosféricas de viento fuerte.
- En el caso poco probable de que la unidad de alimentación se apague o no funcione, el sistema proporcionará poca o ninguna protección respiratoria.
- Cuando el equipo está apagado, puede producirse una acumulación rápida de dióxido de carbono y agotarse el oxígeno.
- Es fundamental que el montaje y ajuste de cualquier equipo de protección se realice en un entorno de "aire limpio".
- El usuario debe abandonar la zona contaminada y eliminar toda contaminación de su cuerpo y su ropa antes de quitarse el equipo de protección respiratoria.

R23CHFUVKIT - Sistemas de protección respiratoria con casco y pantalla de policarbonato

R23CHFUVKIT es un casco con pantalla abatible, con alimentación de aire desde una unidad de alimentación montada en la cintura a través de una manguera en espiral de PVC reforzado y un canal de aire interior ligero. El aire se expulsa desde la parte superior de la pantalla evitando al máximo que se produzca condensación y se dirige hacia la zona de respiración. **R23CHFUVKIT** ha sido diseñado usarse en entornos que presenten un riesgo respiratorio definido, en los que el usuario necesita protección facial, ocular y para la cabeza. El casco de seguridad industrial está pensado para proteger al usuario de la caída de objetos y de las lesiones cerebrales que se pueden producir como consecuencia. La protección facial-ocular está diseñada para proteger contra impactos y restos volanderos.

Atención: retire la cubierta protectora de la parte exterior de la pantalla antes de usarla.

Examine la pantalla para asegurarse de que no hay daños visibles en la pantalla, la protección de cejas, la protección para cabeza, el ajuste facial o la manguera.

Examine el sistema de protección respiratoria para asegurarse de que no hay daños visibles en el casco, el conjunto de pantalla, la protección de cabeza, el ajuste facial o la manguera.

Colocación

Antes de ponerse el casco, conecte la manguera al casco y a la unidad de alimentación y ajuste el cinturón con la hebilla en la parte delantera.

Compruebe que el aire sale por la parte delantera del casco por el canal de aire interior y ajuste la correa del arnés de cabeza según necesite para que el arnés de cabeza quede colocado confortablemente en la cabeza.

Colóquese el casco y ajuste la correa para la cabeza. Nota: para que la protección de cabeza sea adecuada, este casco debe encajar o ajustarse al tamaño de la cabeza del usuario. Ajuste el casco mediante la correa de cabeza que se encuentra en la parte trasera del mismo para conseguir un ajuste seguro y confortable. Este casco está diseñado para absorber la energía de un golpe con una destrucción o daño parcial de la carcasa y el arnés o el relleno de protección, y aunque dicho daño puede no resultar obvio, cualquier casco que sufra un fuerte impacto debe sustituirse. Baje la pantalla y coloque el ajuste facial en la barbilla asegurándose de que el ajuste alrededor de la cara sea perfecto.

Mantenimiento

Compruebe que todas las piezas están listas para su uso y sin daños antes de utilizar el equipo. En caso de duda, póngase en contacto con el fabricante.

Sustituya la cubierta de la pantalla con frecuencia y la pantalla cuando esté rayada o dañada.

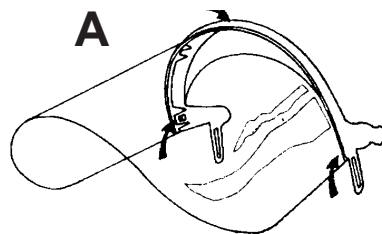
Las demás acciones de mantenimiento periódico se limitan a la limpieza de la carcasa, la manguera y el canal de aire, y la sustitución del ajuste facial cuando sea necesario. No modifique ni retire ninguno de los componentes originales del casco u otras piezas del equipo de protección respiratoria que no haya sido recomendada para sustitución por el fabricante. No aplique pintura, disolventes, adhesivos o pegatinas autoadhesivas.

Montaje de una pantalla nueva

Para retirar la pantalla vieja, primero retire el tapón blanco que se encuentra en la parte central del soporte de pantalla (A) y quite la pantalla.

Para colocar la nueva pantalla, primero coloque los orificios a ambos extremos de la pantalla en las clavijas del soporte de pantalla.

Presione suavemente en la parte delantera de la pantalla para encajarla en su posición. Después, vuelva a colocar el tapón blanco de manera que atraviese tanto el soporte de pantalla como el orificio central de la pantalla.

**Retirada/sustitución del ajuste de cabeza/facial**

El ajuste de cabeza/facial está fijado con Velcro. Para sustituirlo:

1. Con el casco colocado en una superficie plana, separe el conjunto de manguera del canal de aire sujetando el canal de aire con firmeza y girando el cierre de bayoneta en sentido contrario a las agujas del reloj.
2. Despegue el ajuste de cabeza/facial viejo del Velcro.
3. Adhiera el Velcro del ajuste de cabeza/facial al Velcro del casco: empezando por el centro, siga el contorno del casco asegurándose de que la junta quede plana, uniforme y sin pliegues.

Limpieza

Para limpiar el casco, la manguera y el canal de aire, utilice un paño suave húmedo (no mojado) impregnado con agua templada con jabón. Séquelos con un paño suave seco.

024-001-911 Rev B 07/2019 ConceptAir (Sistemas de protección respiratoria)

Reglamento EPI (EU) 2016/425 o Directiva EPI 89/686/EEC: Examen de tipo UE/CE (según corresponda) por: BSI Group The Netherlands B.V., Say Building, John M. Keynesplein 9, 1066 EP, Amsterdam, The Netherlands (Organismo Notificado n.º 2797) o BSI Assurance UK Ltd, Kitemark Court, Davy Avenue, Knowlhill, Milton Keynes MK5 8PP, UK (Organismo Notificado n.º 0086), según se especifica en la etiqueta del producto.

Evite que entre agua en el canal de aire.

Realice la limpieza con cuidado para evitar rayaduras. **ADVERTENCIA: No utilice disolventes ni compuestos orgánicos comerciales para limpiar el equipo.** El ajuste facial puede lavarse a 40 °C con detergente en polvo de uso doméstico.

R23FUVNKIT - Sistema de protección respiratoria con pantalla de policarbonato

R23FUVNKIT es una pantalla abatible con alimentación de aire desde una unidad de alimentación montada en la cintura a través de una manguera en espiral de PVC reforzado y un canal de aire interior ligero. El aire se expulsa desde la parte superior de la pantalla evitando al máximo que se produzca condensación y se dirige hacia la zona de respiración. **R23FUVNKIT** ha sido diseñado usarse en entornos que presenten un riesgo respiratorio definido, en los que el usuario necesite protección facial y ocular.

La protección facial-ocular está diseñada para proteger contra impactos y restos volanderos.

Atención: retire la cubierta protectora de la parte exterior de la pantalla antes de usarla.

Examine la pantalla para asegurarse de que no hay daños visibles en la pantalla, la protección de cejas, la protección para cabeza, el ajuste facial o la manguera.

Colocación

Antes de colocarse la pantalla, conecte la manguera a la pantalla y a la unidad de alimentación y ajuste el cinturón con la hebilla en la parte delantera. Compruebe que el aire sale por la parte delantera por el canal de aire interior. Colóquese la pantalla y ajuste la correa de la corona para conseguir un ajuste cómodo con la correa para la cabeza por encima de las orejas. Ajuste el arnés de cabeza al tamaño correcto utilizando la perilla de trinquete trasera. Baje la pantalla y coloque el ajuste facial en la barbilla asegurándose de que el ajuste alrededor de la cara sea perfecto. Baje la protección de cabeza de manera que cubra los bordes de la protección de cejas a lo largo de la unión con la pantalla. Coloque el ajuste de cabeza por debajo del borde trasero de la protección de cejas, junto al punto de giro, para conseguir el mejor ajuste posible entre la protección de cabeza y el ajuste facial.

Montaje de una pantalla nueva

La pantalla debe sustituirse si está rayada o picada.

Para retirar la pantalla, primero retire los tres tapones delanteros empujándolos desde el interior.

Después, empuje la pantalla para separar los lados de la protección de cejas y retírela.

Para colocar una nueva pantalla, coloque los orificios a ambos extremos de la pantalla en la protección de cejas.

Introduzca la pantalla en la ranura de la protección de cejas y presione suavemente en la parte delantera de la pantalla para moverla sobre la clavija central hasta que se coloque en el orificio central de la pantalla.

Asegúrese de que todas las clavijas estén totalmente colocadas en los orificios de la pantalla. Vuelva a colocar los dos tapones blancos en la parte delantera de la protección de cejas, atravesando tanto la protección de cejas como la pantalla. Nota: Tanto la protección de cabeza, como el ajuste facial y la manguera y el canal de aire deben sustituirse si están dañados.

Retirada/sustitución del ajuste de cabeza/facial

El ajuste de cabeza/facial está fijado con Velcro. Para sustituirlo:

1. Con el casco colocado en una superficie plana, separe el conjunto de manguera del canal de aire sujetando el canal de aire con firmeza y girando el cierre de bayoneta en sentido contrario a las agujas del reloj.
2. Despegue el ajuste de cabeza/cara viejo del Velcro.
3. Adhiera el Velcro del ajuste de cabeza/cara al Velcro del casco: empezando por el centro, siga el contorno del casco asegurándose de que la junta quede plana, uniforme y sin pliegues.

Retirada/sustitución de la banda de transpiración/almohadilla de confort para cabeza

Tanto la banda de transpiración como la almohadilla de confort para cabeza pueden sustituirse fácilmente.

Para sustituir la banda de transpiración:

1. Retire los dos tornillos de ¼ de vuelta del canal de aire.
2. Quite la banda de transpiración vieja.
3. Coloque los 4 orificios perforados de la banda de transpiración nueva sobre las 4 lengüetas de sujeción de la correa para la cabeza.
4. Coloque los dos tornillos de ¼ de vuelta en el canal de aire y apriételes
5. Doble la banda de transpiración sobre la correa para la cabeza y colóquela en las lengüetas.

Limpieza

Para limpiar la pantalla, la protección de cejas y la manguera, utilice un paño suave húmedo (no mojado) impregnado con agua templada con jabón. Séquelos con un paño suave seco. **Evite que entre agua en el canal de aire. ADVERTENCIA: No utilice disolventes ni compuestos orgánicos comerciales para limpiar el equipo.** El ajuste de cabeza/facial puede lavarse a 40 °C con detergente en polvo de uso doméstico.

R23AWH9/13KIT – Sistema de protección respiratoria con casco de soldadura con oscurecimiento automático

R23AWH9/13KIT es un casco de soldadura con oscurecimiento automático con alimentación de aire desde una unidad de alimentación montada en la cintura, a través de una manguera en espiral de PVC reforzado y un canal de aire interior ligero. **R23AWH9/13KIT** ha sido diseñado usarse en entornos que presenten un riesgo respiratorio definido, en los que el usuario necesite protección facial y ocular. La careta de soldar está diseñada para proteger contra la radiación UV/IR, partículas de bajo impacto y chispas de soldadura.

El casco de soldadura está equipado con un filtro para soldadura con oscurecimiento automático. El filtro es transparente antes de soldar, de manera que el usuario puede observar la superficie de trabajo con claridad. Cuando se golpea el arco, el filtro se oscurece en 0,08 ms. aproximadamente. Cuando el arco se extingue, el filtro se volverá transparente de nuevo. El usuario puede configurar el tiempo de cambio de oscuro a claro de 0,1 a 0,9 segundos. El casco de soldadura está equipado con una unidad de ajuste continuo del oscurecimiento, por lo que el usuario puede seleccionar un grado de oscurecimiento arbitrario de 5 a 13.

El casco de soldadura proporciona al usuario una protección total permanente UV/IR de hasta DIN15 cuando la pantalla está transparente. La alimentación de energía se realiza mediante paneles solares y baterías reemplazables. El filtro con oscurecimiento automático está equipado con 4 grupos de fotosensores para detectar la luz del arco. Además, la máscara también dispone de una placa de protección externa fabricada con materiales poliméricos de alta resistencia. La placa es resistente al desgaste, termoestable y antisalpicaduras, proporcionando una larga vida útil.

Atención: retire la cubierta protectora de la parte externa de la lente antisalpicaduras y de la parte interna del filtro con oscurecimiento automático antes de usarlos por primera vez.

Examine el conjunto del casco de soldadura para asegurarse de que no hay daños visibles en el casco, las lentes, la protección para cabeza, el ajuste facial o la manguera.

ADVERTENCIA

Lea y entienda todas las instrucciones antes de utilizar el equipo.

- Asegúrese de que el grado de oscurecimiento de la lente del casco de soldadura es el grado correcto para la aplicación que vaya a realizar.
- Estos cascos y lentes no son aptos para soldadura sobre cabeza, soldadura por láser o corte por láser.
- Los cascos de soldadura están diseñados para proteger los ojos y la cara contra chispas, salpicaduras y radiación nociva.
- Este casco no protege contra dispositivos explosivos o líquidos corrosivos. Deben utilizarse revestimientos protectores o protección contra salpicaduras para ojos cuando este tipo de riesgos esté presente.
- Evite posturas de trabajo que puedan exponer partes del cuerpo no protegidas a chispas, salpicaduras y radiación directa y/o reflejada. Utilice una protección adecuada si no puede evitarse la exposición.

024-001-911 Rev B 07/2019 ConceptAir (Sistemas de protección respiratoria)

Reglamento EPI (EU) 2016/425 o Directiva EPI 89/686/EEC: Examen de tipo UE/CE (según corresponda) por: BSI Group The Netherlands B.V., Say Building, John M. Keynesplein 9, 1066 EP, Amsterdam, The Netherlands (Organismo Notificado n.º 2797) o BSI Assurance UK Ltd, Kitemark Court, Davy Avenue, Knowlhill, Milton Keynes MK5 8PP, UK (Organismo Notificado n.º. 0086), según se especifica en la etiqueta del producto.

Centurion Safety Products Ltd

T: +44 (0) 1842 754266 | F: +44 (0) 1842 765590 | sales@centurionsafety.co.uk | 21 Howlett Way, Thetford, Norfolk, IP24 1HZ, England

centurionsafety.eu



- Compruebe que no entra luz antes de cada uso. Antes de cada uso, compruebe que las placas de protección están limpias y que no hay suciedad cubriendo los sensores en la parte delantera de la lente.
- Examine todas las piezas operativas antes de su uso para comprobar si hay signos de desgaste o daños. Cualquier pieza rayada, agrietada o picada debe sustituirse inmediatamente.
- No realice ninguna modificación en la lente de soldadura o en el casco que no se haya especificado en este manual. No utilice piezas de repuesto que no se hayan especificado en este manual. Cualquier modificación o uso de piezas de repuesto no autorizados anularán la garantía y exponen al usuario al riesgo de sufrir lesiones personales.
- Si la lente no se oscurece al golpear el arco, deje de soldar inmediatamente.
- No utilice disolventes en ninguna lente o componente del casco.
- El rango de temperatura de funcionamiento recomendado para la lente de soldadura es de -10 °C a 65 °C. No utilice este dispositivo fuera de estos límites de temperatura.

Colocación

Antes de colocarse el casco para soldadura, conecte la manguera a la pantalla y a la unidad de alimentación y ajuste el cinturón con la hebilla en la parte delantera. Compruebe que el aire sale por la parte delantera por el canal de aire interior. Compruebe que los sensores del filtro con oscurecimiento automático estén limpios y despejados. Asegúrese de que el soporte del filtro con oscurecimiento automático esté bien ajustado y que el cierre del filtro con oscurecimiento automático esté cerrado.

Colóquese el casco de soldadura y ajuste la correa de la corona para conseguir un ajuste cómodo con la correa para la cabeza por encima de las orejas. Ajuste el arnés de cabeza al tamaño correcto utilizando la perilla de trinquete trasera. Baje el casco de soldadura y coloque el ajuste facial en la barbilla asegurándose de que el ajuste alrededor de la cara sea perfecto. **Ajuste el cordón.**

Para una visualización óptima, puede ajustarse el ángulo de la correa para la cabeza dentro del casco de soldadura.

Retirada/sustitución del ajuste de cabeza/facial

El ajuste de cabeza/facial del casco de soldadura está fijado con Velcro. Para sustituirlo:

1. Con el casco colocado en una superficie plana, separe el conjunto de manguera del canal de aire sujetando el canal de aire con firmeza y girando el cierre de bayoneta en sentido contrario a las agujas del reloj.
2. Despegue el ajuste de cabeza/facial viejo del Velcro.
3. Adhiera el Velcro del ajuste de cabeza/facial al Velcro del casco: empezando por el centro, siga el contorno del casco asegurándose de que la junta quede plana, uniforme y sin pliegues.

Retirada/sustitución de la banda de transpiración/almohadilla de confort para cabeza

Tanto la banda de transpiración como la almohadilla de confort para cabeza pueden sustituirse fácilmente.

Para sustituir la banda de transpiración:

1. Retire los dos tornillos de ¼ de vuelta del canal de aire.
2. Quite la banda de transpiración vieja.
3. Coloque los 4 orificios perforados de la banda de transpiración nueva sobre las 4 lengüetas de sujeción de la correa para la cabeza.
4. Coloque los dos tornillos de ¼ de vuelta en el canal de aire y apriételes
5. Doble la banda de transpiración sobre la correa para la cabeza y colóquela en las lengüetas.

Para sustituir la almohadilla de confort para cabeza:

1. Retire la almohadilla de confort vieja y limpie cualquier residuo de la superficie del Velcro.
2. Coloque la almohadilla nueva en el centro de la correa para la cabeza y presione el Velcro firmemente en su lugar.

Limpieza

Para limpiar el casco de soldadura, el ajuste facial y la manguera, utilice un paño suave húmedo (no mojado) impregnado con agua templada con jabón. Realice la limpieza de las lentes por fuera/dentro con cuidado para evitar rayaduras. Séquelas con un paño suave seco y dejando que se sequen al aire.

Evite que entre agua en el canal de aire. ADVERTENCIA: No utilice disolventes ni compuestos orgánicos comerciales para limpiar el equipo.

Filtro con oscurecimiento automático



Explicación del marcado de homologación:

XA-1021	Nombre del modelo de filtro con oscurecimiento automático
CSS	Marcado del fabricante
4/5-9/9-13	Grados de oscurecimiento disponibles (ver la tabla de grados de oscurecimiento recomendados para diversas aplicaciones)
1/1/1/1/379	Explicación de homologación del filtro con oscurecimiento automático
	1 = clase óptica
	1 = clase por la difusión de la luz
	1 = clase de homogeneidad
	1 = clase por la dependencia con el ángulo
	379 = norma EN 379

Para sustituir la lente con filtro con oscurecimiento automático, simplemente mueva el botón de la parte baja a la posición de desbloqueo y extráigala con cuidado del casco. La batería y el equipo de conmutación externo deben retirarse empujando cuidadosamente el seguro de retención de la parte superior y soltando la ranura de colocación de la parte inferior del pack de batería.

Configuración de soldadura/esmerilado

Dependiendo de si desea soldar o esmerilar, coloque el botón soldadura/esmerilado en la posición correspondiente.

Configuración del grado de oscurecimiento

En el modo de soldadura, seleccione el grado de oscurecimiento de acuerdo con la norma EN 379 (ver tabla a continuación).

Para configurar el grado de sensibilidad a la luz/tiempo de demora:

- a. Ponga el selector de control de sensibilidad a la luz en la posición HI (sensibilidad a la luz máxima).
- b. Gire lentamente el selector de control de sensibilidad a la luz en sentido contrario a las agujas del reloj hasta que el filtro con oscurecimiento automático ya no se oscurezca. El ajuste LO es adecuado para soldadura de alto amperaje y soldadura en condiciones de mucha luz. El ajuste HI es adecuado para soldadura de bajo amperaje, soldadura en condiciones de poca luz y soldadura TIG. Recomendamos utilizar ajustes de sensibilidad más altos con este filtro con oscurecimiento automático.
- c. Configure el tiempo de demora para pasar de oscuro a claro (0,1 s "MIN" a 0,9 s "MAX") en función de sus necesidades. El ajuste "MIN" es idóneo para soldadura por puntos o soldadura de producción con soldaduras cortas. El ajuste "MAX" es idóneo para soldadura de alto amperaje en la que se produce posluminiscencia tras la soldadura.

024-001-911 Rev B 07/2019 ConceptAir (Sistemas de protección respiratoria)

Reglamento EPI (EU) 2016/425 o Directiva EPI 89/686/EEC: Examen de tipo UE/CE (según corresponda) por: BSI Group The Netherlands B.V., Say Building, John M. Keynesplein 9, 1066 EP, Amsterdam, The Netherlands (Organismo Notificado n.º 2797) o BSI Assurance UK Ltd, Kitemark Court, Davy Avenue, Knowlhill, Milton Keynes MK5 8PP, UK (Organismo Notificado n.º. 0086), según se especifica en la etiqueta del producto.

Principales repuestos

Descripción	Código
Sistema de protección respiratoria con casco/pantalla de repuesto	R23CHFUV
Sistema de protección respiratoria con pantalla	R23FUVN
Sistema de protección respiratoria con casco de soldadura de repuesto	R23AWH9/13
Lente de soldadura de filtro con oscurecimiento automático de repuesto	R23ADFH9/13
Filtro contra salpicaduras de soldadura de repuesto (10)	R23OLCH
Cubierta interior para lente de soldadura de repuesto (10)	R23ILCH
Protección para manguera Proban	R23PHS
Protecciones para pantalla (sistemas de protección respiratoria con casco/pantalla y con casco) (50)	R23VC50N
Bandas de transpiración desechables (pantalla) (10)	R23SB
Banda de transpiración + 2 tornillos (pantalla de soldadura)	R23SBAWH
Ajuste facial de repuesto (casco/pantalla)	R23CHFUVF/PN
Ajuste facial de repuesto (pantalla)	R23FN
Ajuste facial de repuesto (casco de soldadura)	R23CAWF
Pantalla de policarbonato de repuesto para sistema de protección respiratoria con casco/pantalla	R23CHFUVVP
Pantalla de policarbonato de repuesto con Velcro para sistema de protección respiratoria con pantalla	R23VN
Conjunto de manguera de repuesto (0,85 m)	R23HAHD
Conjunto de manguera (1 m, resistente)	R23HAHDL

Explicación de homologaciones del casco de seguridad y la pantalla

El casco de seguridad está homologado de acuerdo con las siguientes normas:

EN 397

MM	Protección contra salpicaduras de metal fundido
-40 °C	Protección contra impactos a baja temperatura
LD	Protección contra deformación lateral
440 V c.a.	Apto para uso frente a riesgos de tensión eléctrica de hasta 440 V c.a.
1000 V c.a.	Apto para uso frente a riesgos de tensión eléctrica de hasta 1000 V c.a. (EN 50365)

Las pantallas del sistema de protección respiratoria con casco/pantalla y con pantalla están homologadas de acuerdo con las siguientes normas:

EN 166

1	Clase óptica más alta
B	Protección frente a impactos (120 m/s)
3	Protección frente a salpicaduras de líquidos
9	Protección frente a salpicaduras de metal fundido

Almacenamiento (todos los sistemas de protección respiratoria)

Todos los sistemas de protección respiratoria deben almacenarse en un entorno seco y limpio en un rango de temperatura de -5 °C a +55 °C con una H.R. <90 % en su embalaje original. Las condiciones de almacenamiento idóneas son de 5 °C a 35 °C con una H.R. <60 %. Transportar en su embalaje original. En condiciones adecuadas de almacenamiento, la vida útil del producto es de 5 años.

Garantía

Se garantiza que los sistemas de protección respiratoria ConceptAir no contienen materiales, ni fabricación defectuosos. Si este tipo de defectos se originase durante los 12 meses siguientes a la compra, Centurion Safety Products Ltd, según su criterio, reparará o sustituirá el sistema de protección respiratoria sin coste alguno.

RAEE



RAEE (UNICAMENTE hace referencia a la unidad de alimentación, la batería y el cargador)

ESTOS PRODUCTOS NO DEBEN DESECHARSE ENTRE LOS RESIDUOS MUNICIPALES GENERALES

- El símbolo del contenedor de basura tachado y la barra negra mostrados en este producto, en su embalaje o en las instrucciones indican que el producto está sujeto a la Directiva de la Comunidad Europea 2002/96/EC sobre el tratamiento correcto de los residuos de aparatos eléctricos y electrónicos (RAEE).
- Los RAEE no pueden desecharse como residuos municipales y deben recogerse y desecharse por separado. Deberán utilizarse los sistemas de recogida de residuos públicos o privados adecuados, establecidos por las normativas nacionales y locales.
- El producto puede contener sustancias que pueden dañar el medio ambiente o la salud humana si se desecha incorrectamente.

Para obtener más información o para acceder a la Declaración de conformidad UE/CE (según corresponda), visite nuestro sitio web centurionsafety.eu

024-001-911 Rev B 07/2019 ConceptAir (Sistemas de protección respiratoria)

Reglamento EPI (EU) 2016/425 o Directiva EPI 89/686/EEC: Examen de tipo UE/CE (según corresponda) por: BSI Group The Netherlands B.V., Say Building, John M. Keynesplein 9, 1066 EP, Amsterdam, The Netherlands (Organismo Notificado n.º 2797) o BSI Assurance UK Ltd, Kitemark Court, Davy Avenue, Knowlhill, Milton Keynes MK5 8PP, UK (Organismo Notificado n.º 0086), según se especifica en la etiqueta del producto.

Centurion Safety Products Ltd
T: +44 (0) 1842 754266 | F: +44 (0) 1842 765590 | sales@centurionsafety.co.uk | 21 Howlett Way, Thetford, Norfolk, IP24 1HZ, England
centurionsafety.eu



GEBRUIKERSINSTRUCTIES: ConceptAir op het hoofd gedragen beschermingsmiddelen

Het is belangrijk dat u voorafgaand aan het gebruik van dit beschermingsmiddel deze instructies en de instructies van de voedingseenheid leest.

In onderstaande tabel vindt u de gecertificeerde ConceptAir-systemen met de relevante goedkeuringen.

Onderdeelnummer	Beschrijving	Certificering als ademhalingsbeschermingsmiddel	Ademhalingsbeschermingsfactor NPF/APF	Certificering als hoofd-/oogbeschermingsmiddel
R23CHFUVKIT	Ademhalingsbeschermingssysteem met helm en vizier	EN 12941:1998+A2:2008 TH2P	NPF 50	EN 397 & EN 166
R23FUVNKIT	Ademhalingsbeschermingssysteem met vizier	EN 12941:1998+A2:2008 TH2P	NPF 50	EN 166
R23AWH9/13KIT	Ademhalingsbeschermingssysteem met laskap	EN 12941:1998+A2:2008 TH2P	NPF 50	EN 166 & EN 175

De nominale beschermingsfactor (NPF) is afgeleid van de laboratoriumtesten die volgens EN 12941 zijn uitgevoerd. Raadpleeg EN 529 voor richtlijnen inzake de landspecifieke beschermingsfactor.

WAARSCHUWING

- De ademhalingsbescherming is alleen optimaal wanneer de op het hoofd gedragen beschermingsmiddelen op de juiste manier worden bevestigd en goed worden onderhouden.
- Er wordt geen ademhalingsbescherming geboden wanneer het vizier omhoog staat.
- De ademhalingsbescherming die de vizieren en hoofdkappen bieden kan worden beperkt wanneer er sprake is van hoge windsnelheden.
- In het onwaarschijnlijke geval waarin de voedingseenheid wordt uitgeschakeld of niet functioneert, wordt er geen of slechts weinig ademhalingsbescherming geboden.
- In uitgeschakelde toestand kan de concentratie koolstofdioxide snel oplopen en kan er zuurstoftekort optreden.
- Het is belangrijk dat het assembleren en opzetten van een beschermingsmiddel wordt uitgevoerd in een omgeving met schone lucht.
- Voordat de drager de adembescherming afzet, moet hij/zij het verontreinigde gebied verlaten en alle verontreinigingen van zijn/haar lichaam en kleding verwijderen.

R23CHFUVKIT - Helm met polycarbonaat vizier

De **R23CHFUVKIT** is een helm met een opklapvizier die lucht krijgt toegevoerd van de om het middel bevestigde voedingseenheid via een spiraalversterkte PVC-slang en een lichtgewicht intern luchtkanaal. De lucht wordt aan de bovenkant van het viziergebied toegevoerd ter voorkoming van condens en gericht naar de ademzone.

R23CHFUVKIT is bedoeld voor gebruik op plaatsen waarvan is vastgesteld dat er een gevaar is voor de luchtwegen en waar de gebruiker hoofd-, gelaats- en oogbescherming nodig heeft. De industriële veiligheidshelm is bedoeld om de drager te beschermen tegen vallende voorwerpen en tegen hersenletsel als gevolg daarvan. De gelaats-/oogbescherming is bedoeld om de drager te beschermen tegen schokken en rondvliegend puin.

Verwijder de beschermkap van de buitenkant van het vizier voorafgaand aan gebruik.

Inspecteer het vizier om er zeker van te zijn dat er geen sprake is van zichtbare schade aan het vizier, het voorhoofdsscherm, de hoofdbedekking, de gelaatsafdichting of de slang.

Inspecteer het op het hoofd gedragen beschermingsmiddelen om er zeker van te zijn dat er geen sprake is van zichtbare schade aan helm, vizierassemblage, hoofdbedekking, gelaatsafdichting of slang.

Opzetten

Voordat u de helm opzet: bevestig de slang aan de helm, schakel de voedingseenheid in en doe de heupriem om met de gesp aan de voorzijde.

Controleer of er lucht komt uit de voorzijde van het interne luchtkanaal in de helm en pas het riempje van het hoofdarnas zodanig aan zodat het hoofdarnas prettig op het hoofd zit.

Zet de helm op en maak de hoofdband vast.

Opmerking: Voor adequate hoofdbescherming is het belangrijk dat de goed helm past of wordt aangepast aan de afmetingen van het hoofd van de gebruiker.

Pas de helm aan met behulp van de hoofdband aan de achterzijde van helm voor een stevige en comfortabele pasvorm. Deze helm is gemaakt om de energie van een klap te kunnen absorberen door gedeeltelijke destructie of beschadiging van de schaal en het harnas of de binnenvoering en hoewel dergelijke schade niet altijd duidelijk zichtbaar is, moet elke helm die is blootgesteld aan ernstige impact worden vervangen. Klap het vizier naar beneden en trek de gezichtsafdichting onder de kin om zeker te zijn van een goede aansluiting rond het gezicht.

Onderhoud

Controleer vóór gebruik of alle onderdelen operationeel en onbeschadigd zijn. Neem bij twijfel contact op met de fabrikant.

Vervang de beschermkap van het vizier regelmatig en vervang het vizier wanneer dit beschadigd is of wanneer er krassen op zitten.

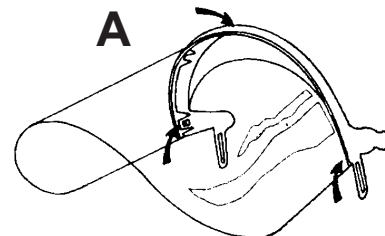
Overig routinematig onderhoud is beperkt tot het schoonmaken van de schaal, de slang en het luchtkanaal en het vervangen van de gezichtsafdichting indien nodig. Breng geen wijzigingen aan aan de originele onderdelen van de helm of andere delen van het ademhalingsbeschermingsstelsel en verwijder ze niet. Zelfs als het gebruik van deze onderdelen wordt aanbevolen, wordt het gebruik van verf, oplosmiddelen, kleefmiddelen of stickers niet aanbevolen.

Een nieuw vizier bevestigen

Om het oude vizier te verwijderen: verwijder eerst de witte knop in het midden van de vizierdrager (A) en verwijder het vizier.

Om het nieuwe vizier te bevestigen: plaats eerst de openingen aan beide uiteinden van het vizier over de pinnetjes van de vizierdrager.

Druk zachtjes op de voorzijde van het vizier om het op zijn plaats te drukken. Plaats de witte knop terug zodat deze door zowel de vizierdrager als de centrale opening in het vizier gaat.



De hoofd-/gezichtsafdichting verwijderen/vervangen

De hoofd-/gezichtsafdichting is bevestigd met klittenband. Om deze te verwijderen:

- Leg de helm op een vlak oppervlak en maak de slangassemblage los van het luchtkanaal door het luchtkanaal stevig vast te houden en de bajonetaansluiting linksom te draaien.
- Maak de oude hoofd-/gezichtsafdichting los van het klittenband.
- Bevestig het klittenband van de hoofd-/gezichtsafdichting aan het klittenband van de helm, begin daarbij in het midden en volg de contouren van de helm; zorg ervoor dat de bevestiging vlak, gelijkmatig en zonder vouwen verloopt.

Schoonmaken

Maak de helm, de slang en het luchtkanaal schoon door ze af te vegen met een vochtige (niet natte) zachte doek die bevochtigd is met een warme zeepoplossing. Droog ze af met een zachte droge doek.

024-001-911 Rev B 07/2019 ConceptAir (op het hoofd gedragen beschermingsmiddelen)

PBM-verordening (EU) 2016/425 of PBM-richtlijn 89/686/EEG: EU/EG (zoals van toepassing) typeonderzoek door: BSI Group The Netherlands B.V., Say Building, John M. Keynesplein 9, 1066 EP, Amsterdam, Nederland (Aangemelde instantie nr. 2797) of BSI Assurance UK Ltd, Kitemark Court, Davy Avenue, Knowlhill, Milton Keynes MK5 8PP, VK (Aangemelde instantie nr. 0086) zoals aangegeven op het productetiket.

Centurion Safety Products Ltd

T: +44 (0) 1842 754266 | F: +44 (0) 1842 765590 | sales@centurionsafety.co.uk | 21 Howlett Way, Thetford, Norfolk, IP24 1HZ, England

centurionsafety.eu

Zorg ervoor dat er geen water in het luchtkanaal komt.

Ga voorzichtig te werk om krassen te voorkomen. **WAARSCHUWING: Gebruik voor het schoonmaken geen commerciële oplosmiddelen of organische verbindingen.** De gezichtsafdichting kan worden gewassen op 40°C met huishoudelijk waspoeder.

R23FUVNKIT polycarbonaat vizier

De **R23FUVNKIT** is een opklapvizier die lucht krijgt toegevoerd van de om het middel bevestigde voedingseenheid via een spiraalversterkte PVC-slang en een lichtgewicht intern luchtkanaal. De lucht wordt aan de bovenkant van het viziergebied toegevoerd ter voorkoming van condens en gericht naar de ademzone. **R23FUVNKIT** is bedoeld voor gebruik op plaatsen waarvan is vastgesteld dat er een gevaar is voor de luchtwegen en waar de gebruiker gelaats- en oogbescherming nodig heeft. De gelaats-/oogbescherming is bedoeld om de drager te beschermen tegen schokken en rondvliegend puin.

Verwijder de beschermkap van de buitenkant van het vizier voorafgaand aan gebruik.

Inspecteer het vizier om er zeker van te zijn dat er geen sprake is van zichtbare schade aan het vizier, het voorhoofdsscherm, de hoofdbedekking, de gelaatsafdichting of de slang.

Opzetten

Voordat u het vizier opzet: bevestig de slang aan het vizier, schakel de voedingseenheid in en doe de heupriem om met de gesp aan de voorzijde. Controleer of er lucht komt uit de voorzijde van het interne luchtkanaal. Zet het vizier op en pas het kruinriempje aan voor een comfortabele pasvorm van de hoofdband boven de oren. Maak het hoofdharnas passend met behulp van de draaiknop aan de achterzijde. Klap het vizier naar beneden en trek de gezichtsafdichting onder de kin om zeker te zijn van een goede aansluiting rond het gezicht. Trek de hoofdbedekking naar beneden zodat deze de randen van het voorhoofdsscherm overlapt langs de bevestiging met het vizier. Stop de hoofdafdichting onder de achterste rand van het voorhoofdsscherm bij het scharnierpunt om een zo goed mogelijke afdichting te krijgen tussen de hoofdbedekking en de gezichtsafdichting.

Een nieuw vizier bevestigen

Het vizier moet worden vervangen wanneer er krassen of pitjes inzitten.

Voor het verwijderen van het oude vizier: verwijder eerst de drie knoppen aan de voorzijde door ze vanaf de binnenzijde naar buiten te drukken.

Druk vervolgens op het vizier om de zijkanten van het voorhoofdsscherm af te buigen en verwijder het.

Om een nieuw vizier te bevestigen: plaats de openingen aan beide uiteinden van het vizier in het voorhoofdsscherm.

Schuif het vizier in de gleuf in het voorhoofdsscherm en druk zachtjes op de voorzijde van het vizier om het over de centrale draagpin te buigen totdat het in de centrale vizieropening zit.

Zorg ervoor dat alle draagpinnen volledig in de openingen van het vizier zitten. Plaats de witte knoppen in de voorzijde van het voorhoofdsscherm, door zowel het voorhoofdsscherm als het vizier. Opmerking: De hoofdbedekking, de gezichtsafdichting, de luchtslang of het luchtkanaal moeten worden vervangen als ze beschadigd zijn.

De hoofd-/gezichtsafdichting verwijderen/vervangen

De hoofd-/gezichtsafdichting is bevestigd met klittenband. Om deze te verwijderen:

1. Leg de helm op een vlak oppervlak en maak de slangassemblage los van het luchtkanaal door het luchtkanaal stevig vast te houden en de bajonetaansluiting linksom te draaien.
2. Maak de oude hoofd-/gezichtsafdichting los van het klittenband.
3. Bevestig het klittenband van de hoofd-/gezichtsafdichting aan het klittenband van de helm, begin daarbij in het midden en volg de contouren van de helm; zorg ervoor dat de bevestiging vlak, gelijkmatig en zonder vouwen verloopt.

De zweetband/het hoofdkussentje verwijderen/vervangen

Zowel de zweetband als het hoofdkussentje kunnen zeer eenvoudig worden vervangen.

Voor het vervangen van de zweetband:

1. Verwijder 2 kwartslagbouten uit het luchtkanaal.
2. Verwijder de oude zweetband.
3. Plaats de 4 geponste gaten van de vervangende zweetband over de 4 hoofdbandbevestigingslipjes.
4. Plaats de 2 kwartslagbouten terug in het luchtkanaal en zet ze vast.
5. Vouw de zweetband over de hoofdband en plaats deze over de bevestigingslipjes.

Schoonmaken

Maak het vizier, het voorhoofdsscherm en de slang schoon door ze af te vegen met een vochtige (niet natte) zachte doek die bevochtigd is met een warme zeepoplossing. Droog ze af met een zachte droge doek. **Zorg ervoor dat er geen water in het luchtkanaal komt. WAARSCHUWING: Gebruik voor het schoonmaken geen commerciële oplosmiddelen of organische verbindingen.** De gezichts- en hoofdafdichting kunnen worden gewassen op 40°C met huishoudelijk waspoeder.

R23AWH9/13KIT – ADF-laskap

De **R23AWH9/13KIT** is een automatisch donkerkleurende laskap die lucht krijgt toegevoerd van de om het middel bevestigde voedingseenheid via een spiraalversterkte PVC-slang en een lichtgewicht intern luchtkanaal. **R23AWH9/13KIT** is bedoeld voor gebruik op plaatsen waarvan is vastgesteld dat er een gevaar is voor de luchtwegen en waar de gebruiker gelaats- en oogbescherming nodig heeft. De lashelm is bedoeld ter bescherming tegen UV/IR, deeltjes met een geringe impact en lasvonken.

De laskap is voorzien van een automatisch donkerkleurend lasfilter (ADF). Het filter is voorafgaand aan de laswerkzaamheden transparant, zodat de lassers hun werkkoppervlak goed kunnen zien. Bij blootstelling aan de vlamboog verduistert het filter automatisch in ongeveer 0,08 ms. Zodra de vlamboog dooft, wordt het filter weer transparant. De lasser kan de omschakeltijd van donker naar licht instellen van 0,1 t/m 0,9 seconde. De laskap is voorzien van een eenheid voor continue donkerkleuring, zodat de lasser een willekeurige tint van 5 t/m 13 kan selecteren.

De laskap geeft de lassers permanent volledige bescherming tot DIN15 tegen UV/IR, zelfs in transparante toestand. De stroom wordt geleverd door zonnecellen en een vervangbare batterij. Het ADF is voorzien van 4 sets fotosensoren die het licht van de vlamboog detecteren. Daarnaast heeft het masker een externe beschermingsplaat die gemaakt is van hoog-polymeermaterialen. De plaat is slijtage- en spatbestendig en thermostabiel waardoor deze een lange levensduur heeft.

Verwijder de beschermkap van de buitenkant van spatlens en de binnenzijde van het ADF voorafgaand aan het eerste gebruik.

Inspecteer de laskapassemblage om er zeker van te zijn dat er geen sprake is van zichtbare schade aan de helm, de lenzen, de hoofdbedekking, de gelaatsafdichting of de slang.

WAARSCHUWING

Zorg dat u alle instructies voorafgaand aan het gebruik leest en begrijpt.

- Zorg ervoor dat de tint van de lens in de laskap het juiste tintnummer voor de door u beoogde toepassing heeft.
- Deze kappen en lenzen zijn niet geschikt voor boven-het-hoofd lassen, laserlassen of lasersnijden.
- Laskappen zijn ontworpen om de ogen en het gezicht onder normale lasomstandigheden te beschermen tegen vonken, spatten en schadelijke straling.
- Deze kap biedt geen bescherming tegen explosieve apparaten of corrosieve vloeistoffen. Wanneer deze gevaren aanwezig zijn, gebruik dan machinebeveiligingen of oogbescherming tegen spatten.
- Vermijd werkhoudingen waarbij onbeschermde lichaamsdelen blootgesteld zouden kunnen worden aan vonken, spatten en rechtstreekse en/of reflecterende straling. Gebruik adequate bescherming als blootstelling niet kan worden vermeden.
- Controleer vóór elk gebruik op lichtdoorlaatbaarheid. Controleer vóór elk gebruik dat de beschermingsplaten schoon zijn er dat de sensoren op de voorzijde van de lens niet bedekt worden door vuil.
- Inspecteer alle operationele delen vóór elk gebruik op tekenen van slijtage of beschadiging. Alle onderdelen met krassen, basten of pitten moeten onmiddellijk worden vervangen.

024-001-911 Rev B 07/2019 ConceptAir (op het hoofd gedragen beschermingsmiddelen)

PBM-verordening (EU) 2016/425 of PBM-richtlijn 89/686/EEG: EU/EG (zoals van toepassing) typeonderzoek door: BSI Group The Netherlands B.V., Say Building, John M. Keynesplein 9, 1066 EP, Amsterdam, Nederland (Aangemelde instantie nr. 2797) of BSI Assurance UK Ltd, Kitemark Court, Davy Avenue, Knowlhill, Milton Keynes MK5 8PP, VK (Aangemelde instantie nr. 0086) zoals aangegeven op het productetiket.

Centurion Safety Products Ltd

T: +44 (0) 1842 754266 | F: +44 (0) 1842 765590 | sales@centurionsafety.co.uk | 21 Howlett Way, Thetford, Norfolk, IP24 1HZ, England

centurionsafety.eu



CENTURION
WHEN CLARITY COUNTS

- Breng geen wijzigingen aan aan de laslens of de helm, tenzij dat in deze handleiding vermeld staat. Gebruik alleen de vervangende onderdelen die in deze handleiding genoemd worden. Door niet-geautoriseerde wijzigingen en het gebruik van niet-geautoriseerde vervangende onderdelen vervalt de garantie en wordt de gebruiker blootgesteld aan het risico van persoonlijk letsel.
- Als de lens niet donkerkleurt bij blootstelling aan de vlamboog, stop dan onmiddellijk met lassen.
- Gebruik geen oplosmiddelen op (onderdelen van) de lens of de helm.
- De aanbevolen bedrijfstemperatuur voor laslenzen bedraagt -10°C tot 65°C (14°F tot 149°F). Gebruik dit beschermingsmiddel niet bij temperaturen die buiten dit bereik vallen.

Opzetten

Voordat u de laskap opzet: bevestig de slang aan het vizier, schakel de voedingseenheid in en doe de heupriem om met de gesp aan de voorzijde. Controleer of er lucht komt uit de voorzijde van het interne luchtkanaal. Zorg ervoor dat de sensoren op het ADF schoon zijn en niet afgedekt worden. Zorg ervoor dat de ADF-houder stevig is bevestigd en dat de sluiting op het ADF gesloten is.

Zet de laskap op en pas het kruinriempje aan voor een comfortabele pasvorm van de hoofdband boven de oren. Maak het hoofdharnas passend met behulp van de draaiknop aan de achterzijde. Klap de laskap naar beneden en trek de gezichtsafdichting onder de kin om zeker te zijn van een goede aansluiting rond het gezicht. **Trek het trekkoord aan.**

Voor een optimaal gezichtsveld kan de hoek van de hoofdband binnenin de laskap worden aangepast.

De hoofd-/gezichtsafdichting verwijderen/vervangen

De hoofd-/gezichtsafdichting is met klittenband aan de laskap bevestigd. Om deze te verwijderen:

1. Leg de helm op een vlak oppervlak en maak de slangassemblage los van het luchtkanaal door het luchtkanaal stevig vast te houden en de bajonetaansluiting linksom te draaien.
2. Maak de oude hoofd-/gezichtsafdichting los van het klittenband.
3. Bevestig het klittenband van de hoofd-/gezichtsafdichting aan het klittenband van de helm, begin daarbij in het midden en volg de contouren van de helm; zorg ervoor dat de bevestiging vlak, gelijkmatig en zonder vouwen verloopt.

De zweetband/het hoofdkussentje verwijderen/vervangen

Zowel de zweetband als het hoofdkussentje kunnen zeer eenvoudig worden vervangen.

Voor het vervangen van de zweetband:

1. Verwijder 2 kwartslagbouten uit het luchtkanaal.
2. Verwijder de oude zweetband.
3. Plaats de 4 geponste gaten van de vervangende zweetband over de 4 hoofdbandbevestigingslipjes.
4. Plaats de 2 kwartslagbouten terug in het luchtkanaal en zet ze vast.
5. Vouw de zweetband over de hoofdband en plaats deze over de bevestigingslipjes.

Voor het vervangen van het hoofdkussentje:

1. Verwijder het oude kussentje en verwijder eventuele resten van het klittenband.
2. Plaats een nieuw kussentje centraal op de hoofdband en druk het klittenband stevig vast.

Schoonmaken

Maak de laskap, de gezichtsafdichting en de slang schoon door ze af te vegen met een vochtige (niet natte) zachte doek die bevochtigd is met een warme zeepoplossing. Ga voorzichtig te werk bij het schoonmaken van de binnen-/buitenlenzen om krassen te voorkomen. Droog ze af met een zachte droge doek en laat ze verder aan de lucht drogen. **Zorg ervoor dat er geen water in het luchtkanaal komt. WAARSCHUWING: Gebruik voor het schoonmaken geen commerciële oplosmiddelen of organische verbindingen.**

ADF



Uitleg van goedkeuringsmarkeringen:

XA-1021	modelnaam van ADF
CSS	markering van fabrikant
4/5-9/9-13	beschikbare tinten (zie tabel met aanbevolen tintnummers voor toepassingen)
1/1/1/1/379	Uitleg van certificering van ADF
	1 = optische klasse
	1 = lichtdiffusieklasse
	1 = homogeniteitsklasse
	1 = hoekafhankelijkheidsklasse
	379 = EN 379-norm

Voor het vervangen van de ADF-lens: verplaats de schakelaar aan de onderzijde naar de ontgrendelingspositie en verwijder de lens langzaam uit de helm.

De batterij en het externe schakelmechanisme moet worden verwijderd door de bevestigingsklem aan de bovenzijde voorzichtig naar buiten te duwen, waardoor de geleidegleuf aan de onderzijde van de batterijpack loskomt.

Las-/slijpinstelling

Afhankelijk van of u wilt lassen of slijpen, kunt u de las-/slijpmodus schakelaar in de gewenste stand zetten.

Tintinstelling

In de lasmodus kunt u de tint selecteren overeenkomstig EN 379 (zie onderstaande tabel).

Voor het instellen van de lichtgevoeligheid/vertraging:

- a. Zet de regelknop voor lichtgevoeligheid op stand HI (maximale lichtgevoeligheid).
- b. Draai de regelknop voor lichtgevoeligheid langzaam linksom totdat het ADF niet donkerder wordt. Stand LO is geschikt voor lassen met hoge ampèrewaarden en lassen onder heldere lichtomstandigheden. Stand HI is geschikt voor lassen met lage ampèrewaarden, slechte lichtomstandigheden en TIG-lassen. We raden aan om een hogere gevoeligheidsinstelling te gebruiken voor dit ADF.
- c. Zet de vertraging van donker naar licht op de gewenste stand (MIN 0,1s tot MAX 0,9s). Stand MIN is ideaal voor hechtlassen of productielassen met korte lassen. Stand MAX is ideaal voor lassen met hoge ampèrewaarden waarbij er sprake is van nagloeien van de las.

De stroomvoorziening

De stroom voor het R23AWH 9/13 ADF wordt geleverd door zonnecellen en één vervangbare CR2450 lithium-batterij. Het in- en uitschakelen van het ADF wordt automatisch geregeld.

Waarschuwinglampje voor bijna lege batterij

Het waarschuwinglampje voor een bijna lege batterij gaat knipperen als de batterij bijna leeg is.

024-001-911 Rev B 07/2019 ConceptAir (op het hoofd gedragen beschermingsmiddelen)

PBM-verordening (EU) 2016/425 of PBM-richtlijn 89/686/EEG: EU/EG (zoals van toepassing) typeonderzoek door: BSI Group The Netherlands B.V., Say Building, John M. Keynesplein 9, 1066 EP, Amsterdam, Nederland (Aangemelde instantie nr. 2797) of BSI Assurance UK Ltd, Kitemark Court, Davy Avenue, Knowlhill, Milton Keynes MK5 8PP, VK (Aangemelde instantie nr. 0086) zoals aangegeven op het productetiket.

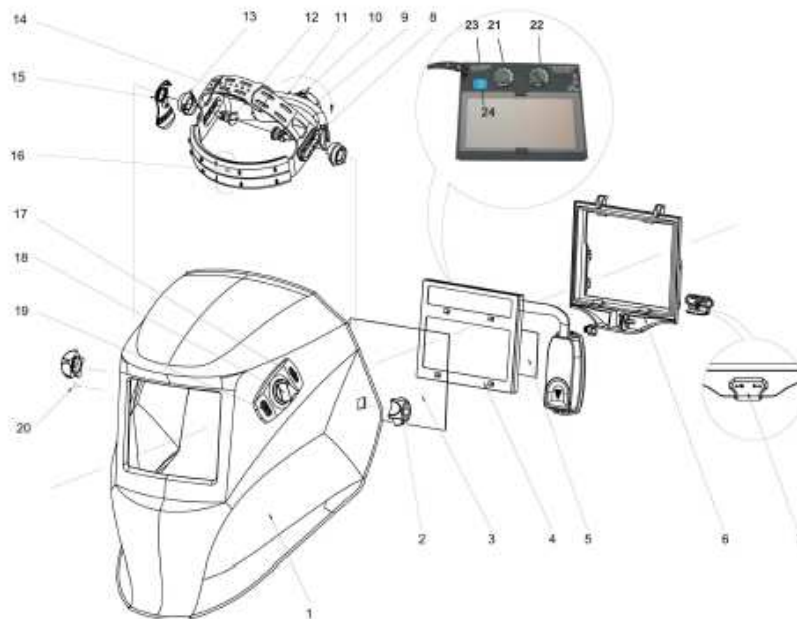
Waarschuwingslampje voor slijpfunctie

Het waarschuwingslampje voor de slijpfunctie gaat knipperen bij gebruik van de slijpfunctie.

WAARSCHUWING: Om schade aan de ogen te voorkomen, mag u niet gaan lassen wanneer de slijpmodus geactiveerd is.

Aanbevolen tintnummers

Lasmethode	Tintnummer																															
	1.5	6	10	15	30	40	60	70	100	125	150	175	200	225	250	300	350	400	450	500	600											
MMA (beklede elektroden)	8				9				10				11				12				13				14							
MAG	8				9				10				11				12				13				14							
TIG	8				9				10				11				12				13											
MIG									Elektische stroom (A)				11				12				13				14							
MIG-lassen van lichte materialen									10				11				12				13				14							
Arc-air gutsen	10												11				12				13				14				15			
Plasmasnijden									9				10				11				12				13							
Microplasmalassen	4		5		6		7		8		9		10		11		12															
	1.5	6	10	15	30	40	60	70	100	125	150	175	200	225	250	300	350	400	450	500	600											



1. Helmschaal
2. Blokkeermoer
3. Externe beschermingsplaat
4. Automatisch filter
5. Interne beschermingsplaat
6. Frame
7. ADF-framevergrendeling
8. Schuif binnenwerk
(met 3 sleuven)

9. Schroef binnenwerk (met 3 sleuven)
10. Instelknop voor strakte binnenwerk
11. Aansluiting binnenwerk
12. Schroef binnenwerk (lang aan rechterzijde)
13. Blokkeringsring (aan rechterzijde)
14. Knoppen voor aanpassen hoofdband
15. Gesegmenteerde positieplaat (aan rechterzijde)
16. Zweetband M23SBWH

17. Knop voor selecteren tintbereik
18. Knop voor aanpassen tintnummer
19. Schakelaar voor las-/slijpmodus
20. Positioneringspunt voor gesegmenteerde plaat
21. Gevoeligheidsknop
22. Vertragingknop
23. Waarschuwingslampje voor bijna lege batterij
24. Waarschuwingslampje voor slijpfunctie

024-001-911 Rev B 07/2019 ConceptAir (op het hoofd gedragen beschermingsmiddelen)

PBM-verordening (EU) 2016/425 of PBM-richtlijn 89/686/EEG: EU/EG (zoals van toepassing) typeonderzoek door: BSI Group The Netherlands B.V., Say Building, John M. Keynesplein 9, 1066 EP, Amsterdam, Nederland (Aangemelde instantie nr. 2797) of BSI Assurance UK Ltd, Kitemark Court, Davy Avenue, Knowlhill, Milton Keynes MK5 8PP, VK (Aangemelde instantie nr. 0086) zoals aangegeven op het productetiket.

Belangrijkste reserveonderdelen

Beschrijving	Code
Reserve-helm/vizier	R23CHFUV
Reserve-vizier	R23FUVN
Reserve-laskap	R23AWH9/13
Reserve-ADF-laslens	R23ADF9/13
Reserve-laspatfilter (10)	R23OLCH
Reserve-beschermkap laslens - intern (10)	R23ILCH
Proban slangbescherming	R23PHS
Vizierbeschermkappen (beschermingsmiddelen met helm/vizier of met vizier) (50)	R23VC50N
Wegwerpzweetbanden (vizier) (10)	R23SB
Zweetband + 2 bouten (lasvizier)	R23SBAWH
Reserve-gelaatsafzichtsing (helm/vizier)	R23CHFUVF/PN
Reserve-gelaatsafzichtsing (vizier)	R23FN
Reserve-gelaatsafzichtsing (laskap)	R23CAWF
Reserve-polycarbonaatvizier voor beschermingsmiddelen met helm/vizier	R23CHFUVVP
Reserve-polycarbonaatvizier compleet met klittenband voor beschermingsmiddelen met vizier	R23VN
Reserveslang (0,85m)	R23HAHD
Slang (1m heavy duty)	R23HAHDL

Uitleg van goedkeuringen voor helmen en vizieren

De veiligheidshelm is gecertificeerd conform de volgende normen:

EN 397	
MM	Bescherming tegen gesmolten metalen spatten
-40°C	Bescherming tegen impact bij lage temperaturen
LD	Bescherming tegen laterale vervorming
440V a.c.	Geschikt voor gebruik bij elektrische spanning tot 440V wisselstroom
1000V a.c.	Geschikt voor gebruik bij elektrische spanning tot 1000V wisselstroom (EN 50365)

Vizieren op de helm/vizieren en beschermingsmiddelen met vizieren zijn gecertificeerd conform de volgende normen:

EN 166	
1	Hoogste optische klasse
B	Bescherming tegen impact (120 m/s)
3	Bescherming tegen druppels/vloeistofspatten
9	Bescherming tegen gesmolten metalen spatten

Opslag (alle op het hoofd gedragen beschermingsmiddelen)

Alle op het hoofd gedragen beschermingsmiddelen moeten in de originele verpakking worden opgeslagen in een schone droge omgeving binnen een temperatuurbereik van -5°C tot +55°C en bij een relatieve luchtvochtigheid (RH) <90%. Ideale opslagomstandigheden zijn 5°C tot 35°C RH < 60%. In de originele verpakking vervoeren. Bij opslag onder de juiste omstandigheden kan het product 5 jaar worden bewaard.

Garantie

Alle op het hoofd gedragen beschermingsmiddelen van ConceptAir zijn gegarandeerd vrij van fouten in de materialen of de fabricage. Mochten dergelijke fouten zich binnen 12 maanden na aankoop voordoen, dan zal Centurion Safety Products Ltd het beschermingsmiddel zonder kosten naar eigen keuze repareren of vervangen.

AEEA



AEEA (heeft ALLEEN betrekking op de voedingseenheid, de batterij en de lader)

DEZE PRODUCTEN MOGEN NIET MET HET ALGEMENE GEMEENTELIJKE AFVAL WORDEN WEGGEGOoid

- Het symbool van de doorgekruiste verrijdbare afvalbak, met daaronder de zwarte streep, dat staat afgebeeld op dit product, de verpakking en de instructies ervan geeft aan dat het product valt onder het toepassingsbereik van Richtlijn 2002/96/EG over de juiste afhandeling van afgedankte elektrische en elektronische apparatuur (AEEA).
- AEEA mag niet als gemeentelijk afval worden verwijderd maar moet gescheiden worden ingezameld en verwijderd. Er moet gebruik worden gemaakt van geschikte openbare of private afvalinzamelingsystemen zoals vastgelegd door nationale en lokale regelgeving.
- Het product kan stoffen bevatten die het milieu of de menselijke gezondheid kunnen schaden als ze niet op de juiste wijze worden verwijderd.

Bezoek onze website centurionsafety.eu voor meer informatie over EU/EG-conformiteitsverklaringen (voor zover van toepassing).

024-001-911 Rev B 07/2019 ConceptAir (op het hoofd gedragen beschermingsmiddelen)

PBM-verordening (EU) 2016/425 of PBM-richtlijn 89/686/EEG: EU/EG (zoals van toepassing) typeonderzoek door: BSI Group The Netherlands B.V., Say Building, John M. Keynesplein 9, 1066 EP, Amsterdam, Nederland (Aangemelde instantie nr. 2797) of BSI Assurance UK Ltd, Kitemark Court, Davy Avenue, Knowlhill, Milton Keynes MK5 8PP, VK (Aangemelde instantie nr. 0086) zoals aangegeven op het productetiket.

Centurion Safety Products Ltd
T: +44 (0) 1842 754266 | F: +44 (0) 1842 765590 | sales@centurionsafety.co.uk | 21 Howlett Way, Thetford, Norfolk, IP24 1HZ, England
centurionsafety.eu



ISTRUZIONI PER L'UTENTE Protezioni complete per la testa

Prima di utilizzare il respiratore, è importante leggere queste istruzioni e quelle fornite con l'unità di alimentazione.

La seguente tabella mostra i sistemi ConceptAir che sono certificati e le relative omologazioni.

Numero della parte	Descrizione	Certificazione di protezione respiratoria	Fattore di protezione respiratoria NPF/APF	Certificazione di protezione testa/occhi
R23CHFUVKIT	Sistema casco/visore PAPR	EN 12941:1998+A2:2008 TH2P	NPF 50	EN 397 e EN 166
R23FUVNKIT	Sistema visore PAPR	EN 12941:1998+A2:2008 TH2P	NPF 50	EN 166
R23AWH9/13KIT	Sistema maschera per saldatura PAPR	EN 12941:1998+A2:2008 TH2P	NPF 50	EN 166 e EN 175

Il fattore di protezione nominale (NPF) è ottenuto dalle prove di laboratorio effettuate secondo la EN 12941. Fare riferimento alla norma EN 529 per la guida ai fattori di protezione del paese.

AVVERTENZA

- La protezione respiratoria è ridotta se il respiratore non è montato correttamente e sottoposto a manutenzione in modo adeguato.
- Quando il visore è in posizione sollevata, non viene fornita alcuna protezione respiratoria.
- La protezione respiratoria offerta dai visori e cappucci può essere ridotta in presenza di velocità di vento elevate.
- Nel caso improbabile che l'unità di alimentazione sia spenta o non funzionante, viene fornita una protezione respiratoria ridotta o inesistente.
- Quando è spenta, si può verificare un rapido accumulo di anidride carbonica ed esaurimento di ossigeno.
- È fondamentale che il montaggio e l'installazione di qualsiasi dispositivo di protezione siano effettuati in un ambiente con "aria pulita".
- L'utilizzatore deve abbandonare l'area contaminata e rimuovere tutta la contaminazione da se stessi e dai propri indumenti prima di rimuovere la protezione respiratoria.

R23CHFUVKIT - Casco dotato di respiratore con visore in policarbonato

Il **R23CHFUVKIT** è un casco dotato di un visore ribaltabile che viene alimentato dall'unità di alimentazione montata in vita attraverso un tubo flessibile a spirale in PVC rinforzato e un canale dell'aria interno leggero. L'aria viene scaricata nella parte superiore dell'area del visore massimizzando l'anti appannamento e diretta verso la zona di respirazione. **R23CHFUVKIT** è destinato all'uso in luoghi in cui vi è un rischio per la respirazione e in cui l'utente ha bisogno di una protezione per testa, viso e occhi. L'elmetto di sicurezza industriale serve a proteggere l'utente dalla caduta di oggetti con conseguenti lesioni craniche. Il sistema di protezione facciale e per gli occhi serve a proteggere l'utente da impatti e detriti volanti.

Rimuovere la copertura protettiva dalla parte esterna del visore prima dell'utilizzo.

Ispezionare il visore per accertarsi che non vi siano danni visibili allo stesso, al gruppo visore, alla protezione per la fronte, alla protezione per la testa, al facciale o al tubo flessibile.

Ispezionare il respiratore per assicurarsi che non vi siano danni visibili al casco, al gruppo visore, alla copertura della testa, al facciale o al tubo flessibile.

Montaggio

Prima di indossare il casco, collegare il tubo flessibile al casco e all'unità di alimentazione e fissare la cintura in vita con la fibbia sul davanti.

Controllare che l'aria esca dalla parte anteriore del canale dell'aria interno nel casco e regolare la cinghia dell'imbracatura della testa come necessario per posizionare comodamente l'imbracatura della testa sulla testa.

Indossare il casco e serrare la fascia della testa.

Nota: Per una protezione adeguata della testa, questo casco deve essere della misura adeguata o deve essere adattato alle dimensioni della testa dell'utilizzatore. Regolare il casco tramite la fascia della testa che si trova sulla parte posteriore dello stesso per una calzatura sicura e confortevole. Questo casco ha il compito di assorbire l'energia di uno scoppio causato dalla distruzione parziale o dal danneggiamento del guscio e dell'imbracatura o dell'imbottitura protettiva e anche se tale danno non è evidente, qualsiasi casco sottoposto ad un forte impatto deve essere sostituito. Abbassare il visore e tirare il facciale sotto il mento in modo che la calzatura sia aderente intorno al viso.

Manutenzione

Prima dell'utilizzo controllare che tutte le parti siano funzionanti e non danneggiate. In caso di dubbio contattare il fabbricante.

Sostituire spesso le coperture del visore il visore quando sono graffiati o danneggiati.

L'altra manutenzione ordinaria è limitata alla pulizia del guscio, del tubo flessibile e del canale dell'aria, nonché la sostituzione del facciale, se necessario.

Non modificare o rimuovere alcuno dei componenti originali del casco o di altre parti di respirazione diversi da quelli raccomandati dal fabbricante.

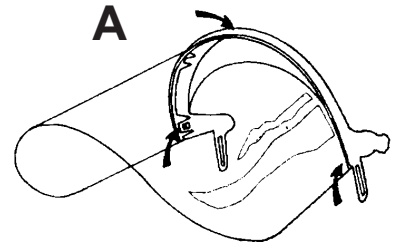
Non applicare vernici, solventi, adesivi o etichette autoadesive.

Montaggio di un nuovo visore

Per rimuovere il vecchio visore, rimuovere prima la borchia bianca posta al centro del supporto del visore (A) e rimuovere il visore.

Per montare un nuovo visore, individuare innanzitutto i fori ad entrambe le estremità dello schermo sulle spine nel supporto dello schermo.

Esercitare una lieve pressione sulla parte anteriore dello schermo per spingerla in posizione. Quindi riattaccare la borchia bianca in modo che passi attraverso il foro centrale del supporto e del visore.



Sostituzione/rimozione della tenuta della testa/facciale

La tenuta della testa/facciale è fissata tramite del velcro, per sostituire:

- Con il casco posto su una superficie piana, staccare il gruppo tubo flessibile dal canale dell'aria tenendo saldamente il canale dell'aria e ruotando il raccordo a baionetta in senso antiorario.
- Staccare la vecchia tenuta della testa/facciale dal velcro.
- Fissare il velcro della tenuta della testa/facciale al velcro del casco, a partire dal punto centrale seguire i contorni del casco assicurandosi che il giunto sia piatto, uniforme e senza pieghe.

Pulizia

Pulire con un panno umido (non bagnato) imbevuto di acqua tiepida saponata per pulire il casco, il tubo flessibile e il canale dell'aria. Asciugare con un panno morbido asciutto.

024-001-911 Rev B 07/2019 ConceptAir (respiratori)

Regolamento (UE) 2016/425 o direttiva 89/686/CEE sui DPI: Esame UE/CE (a seconda del caso) a opera di: BSI Group The Netherlands B.V., Say Building, John M. Keynesplein 9, 1066 EP, Amsterdam, Paesi Bassi (Organismo notificato n. 2797) o BSI Assurance UK Ltd, Kitemark Court, Davy Avenue, Knowlhill, Milton Keynes MK5 8PP, UK (Organismo notificato n. 0086) come specificato sull'etichetta del prodotto.

Centurion Safety Products Ltd

T: +44 (0) 1842 754266 | F: +44 (0) 1842 765590 | sales@centurionsafety.co.uk | 21 Howlett Way, Thetford, Norfolk, IP24 1HZ, England

centurionsafety.eu

Non far entrare l'acqua nel canale dell'aria.

Prestare attenzione a non graffiare. **ATTENZIONE: Non pulire con solventi commerciali o composti organici.**

Il facciale può essere lavato a 40 °C con detersivo in polvere per uso domestico.

Respiratore con visore in policarbonato R23FUVNKIT

Il **R23FUVNKIT** è un visore ribaltabile che viene alimentato ad aria dall'unità di alimentazione montata in vita attraverso un tubo flessibile a spirale in PVC rinforzato e un canale dell'aria interno leggero. L'aria viene scaricata nella parte superiore dell'area del visore massimizzando l'anti appannamento e diretta verso la zona di respirazione.

R23FUVNKIT è destinato all'uso in luoghi con un rischio definito per la respirazione, in cui l'utente ha bisogno di una protezione facciale e per gli occhi.

Il sistema di protezione facciale e per gli occhi serve a proteggere l'utente da impatti e detriti volanti.

Rimuovere la copertura protettiva dalla parte esterna del visore prima dell'utilizzo.

Ispezionare il visore per accertarsi che non vi siano danni visibili allo stesso, al gruppo visore, alla protezione per la fronte, alla protezione per la testa, al facciale o al tubo flessibile.

Montaggio

Prima di indossare il visore, collegare il tubo flessibile al visore e all'unità di alimentazione e fissare la cintura con la fibbia sul davanti.

Verificare che l'aria esca dalla parte anteriore del canale dell'aria interno. Indossare il visore e regolare la cinghia della testa per ottenere una calzatura comoda con la fascia della testa sopra le orecchie. Regolare l'imbracatura della testa alla dimensione corretta utilizzando la manopola a cricchetto posteriore. Abbassare il visore e tirare il facciale sotto il mento in modo che la calzatura sia aderente intorno al viso. Abbassare la copertura per la testa in modo che si sovrapponga ai bordi della protezione per la fronte lungo il giunto con il visore. Infilare la tenuta della testa sotto il bordo posteriore della protezione per la fronte dal punto di articolazione per ottenere la migliore aderenza tra la copertura per la testa e il facciale.

Montaggio di un nuovo visore

Il visore deve essere sostituito quando è graffiato o incrinato.

Per rimuovere il visore, prima rimuovere le tre borchie anteriori spingendole dall'interno.

Quindi premere il visore per allontanare i lati dalla protezione per la fronte e rimuovere.

Per montare un nuovo visore, individuare i fori ad entrambe le estremità del visore nella protezione per la fronte.

Infilare lo schermo nella fessura della protezione per la fronte ed esercitare una leggera pressione sulla parte anteriore del visore per deviarlo sopra la spina del supporto centrale fino a quando non si posiziona nel foro centrale del visore.

Assicurarsi che tutte le spine siano completamente posizionate nei fori del visore. Rimontare le due borchie bianche nella parte anteriore della protezione per la fronte attraverso sia la protezione per la fronte e che il visore. Nota: La copertura per la testa, il facciale, il tubo flessibile o il canale dell'aria devono essere sostituiti se danneggiati.

Sostituzione/rimozione della tenuta della testa/facciale

La tenuta della testa/facciale è fissata tramite del velcro, per sostituire:

1. Con il casco posto su una superficie piana, staccare il gruppo tubo flessibile dal canale dell'aria tenendo saldamente il canale dell'aria e ruotando il raccordo a baionetta in senso antiorario.
2. Staccare la vecchia tenuta della testa/facciale dal velcro.
3. Fissare il velcro della tenuta della testa/facciale al velcro del casco, a partire dal punto centrale seguire i contorni del casco assicurandosi che il giunto sia piatto, uniforme e senza pieghe.

Rimozione/sostituzione della fascia antisudore/imbottitura per la testa

Sia la fascia antisudore che l'imbottitura possono essere sostituite molto facilmente.

Per sostituire la fascia antisudore:

1. Rimuovere i 2 bulloni ¼ di giro dal canale dell'aria.
2. Rimuovere la vecchia fascia antisudore.
3. Collocare i 4 fori punzonati della fascia antisudore di ricambio sopra i 4 fermi della fascia della testa.
4. Collocare i due bulloni ¼ di giro nel canale dell'aria e fissare.
5. Piegare la fascia antisudore sopra la fascia della testa e posizionarla sui fermi.

Pulizia

Pulire con un panno umido (non bagnato) imbevuto di acqua tiepida saponata per pulire il visore, la protezione per la fronte e il tubo flessibile. Asciugare con un panno morbido asciutto. **Non far entrare l'acqua nel canale dell'aria. ATTENZIONE: Non pulire con solventi commerciali o composti organici.** La tenuta facciale e della testa può essere lavata a 40 °C con detersivo in polvere per uso domestico.

R23AWH9/13KIT - respiratore con maschera per la saldatura ADF

Il **R23AWH9/13KIT** è una maschera per la saldatura autoscurante che viene alimentata ad aria dall'unità di alimentazione montata in vita attraverso un tubo flessibile a spirale in PVC rinforzato e un canale dell'aria interno leggero. **R23AWH9/13KIT** è destinato all'uso in luoghi con un rischio definito per la respirazione, in cui l'utente ha bisogno di una protezione facciale e per gli occhi. L'elmetto per saldatura serve a proteggere da UV/IR, particelle a impatto ridotto e scintille di saldatura.

La maschera per la saldatura è dotata di un filtro autoscurante per la saldatura (ADF). Il filtro è trasparente prima della saldatura, in modo che gli operatori possano vedere chiaramente la superficie di lavoro. Quando si colpisce l'arco, il filtro si oscura automaticamente in circa 0,08 ms. Quando l'arco esce, il filtro ridiventa trasparente. L'operatore può impostare il tempo di commutazione da scuro a chiaro in un intervallo tempo di 0,1-0,9 secondi. La maschera per la saldatura è dotata di un'unità di regolazione continua dell'oscuramento, in modo che l'operatore possa selezionare un valore arbitrario di sfumatura scura che va da 5 a 13.

La maschera per la saldatura fornisce agli operatori una protezione completa permanente fino a DIN15 contro i raggi UV/IR anche in condizione di trasparenza. L'alimentazione è fornita da celle solari e batteria sostituibile. L'ADF è dotato di 4 set di fotosensori per rilevare la luce dell'arco. Inoltre, la maschera è dotata anche di una piastra di protezione esterna realizzata con materiali ad alto polimero. La piastra è resistente all'usura, termostabile e anti-spruzzo, offrendo una lunga durata.

Rimuovere il coperchio protettivo dall'esterno della lente antispruzzo e l'interno dell'ADF prima del primo utilizzo.

Ispezionare il gruppo maschera per la saldatura per accertarsi che non vi siano danni visibili allo stesso, alla maschera, alle lenti, alla copertura della testa, al facciale o al tubo flessibile.

AVVERTENZA

Leggere e comprendere tutte le istruzioni prima dell'uso.

- Assicurarsi che la sfumatura scura della lente nella maschera per la saldatura sia della gradazione di sfumatura corretta per l'applicazione.
- Questo maschera e le lenti non sono adatte per applicazioni di saldatura "aerea", saldatura laser o applicazioni di taglio laser.
- Le maschere per la saldatura sono progettate per proteggere gli occhi e il viso da scintille, spruzzi e radiazioni nocive in condizioni di saldatura normali.
- Questa maschera non protegge dai dispositivi esplosivi o dai liquidi corrosivi. Quando questi pericoli sono presenti, è necessario utilizzare delle protezioni macchina o protezione antispruzzo per gli occhi.
- Evitare posizioni di lavoro che potrebbero esporre aree non protette del corpo a scintille, spruzzi, radiazioni dirette e/o riflesse. Utilizzare una protezione adeguata se l'esposizione non può essere evitata.
- Verificare la tenuta alla luce prima di ogni uso. Prima di ogni utilizzo, controllare che le piastre di protezione siano pulite e che dello sporco non copra i sensori sulla parte anteriore della lente.

024-001-911 Rev B 07/2019 ConceptAir (respiratori)

Regolamento (UE) 2016/425 o direttiva 89/686/CEE sui DPI: Esame UE/CE (a seconda del caso) a opera di: BSI Group The Netherlands B.V., Say Building, John M. Keynesplein 9, 1066 EP, Amsterdam, Paesi Bassi (Organismo notificato n. 2797) o BSI Assurance UK Ltd, Kitemark Court, Davy Avenue, Knowlhill, Milton Keynes MK5 8PP, UK (Organismo notificato n. 0086) come specificato sull'etichetta del prodotto.

Centurion Safety Products Ltd

T: +44 (0) 1842 754266 | F: +44 (0) 1842 765590 | sales@centurionsafety.co.uk | 21 Howlett Way, Thetford, Norfolk, IP24 1HZ, England

centurionsafety.eu



CENTURION
WHEN CLARITY COUNTS

- Verificare tutte le parti operative prima di ogni utilizzo per eventuali segni di usura o danni. Eventuali parti graffiate, incrinare o forate devono essere sostituite immediatamente.
- Non apportare alcuna modifica alle lenti o alla maschera di saldatura, ad eccezione di quelle specificate nel presente manuale. Non utilizzare parti di ricambio diverse da quelle specificate nel presente manuale, le modifiche e le parti di ricambio non autorizzate invalidano la garanzia ed espongono l'utilizzatore al rischio di lesioni personali.
- Se questa lente non si oscura quando si colpisce l'arco, interrompere immediatamente la saldatura.
- Non utilizzare solventi sui componenti delle lenti o della maschera.
- L'intervallo di temperatura di esercizio consigliato per la lente di saldatura è compreso tra -10 °C e 65 °C (14 °F-149 °F). Non utilizzare questo dispositivo oltre questi limiti di temperatura.

Montaggio

Prima di indossare la maschera di saldatura, collegare il tubo flessibile al visore e all'unità di alimentazione e fissare la cintura con la fibbia sul davanti. Verificare che l'aria esca dalla parte anteriore del canale dell'aria interno. Accertarsi che i sensori dell'ADF siano puliti e non oscurati. Assicurarsi che il supporto dell'ADF sia ben fissato e che il dispositivo di fissaggio dell'ADF sia chiuso.

Indossare la maschera per la saldatura e regolare la cinghia della testa per ottenere una calzatura comoda con la fascia della testa sopra le orecchie. Regolare l'imbracatura della testa alla dimensione corretta utilizzando la manopola a cricchetto posteriore. Abbassare la maschera per la saldatura e tirare il facciale sotto il mento in modo che la calzatura sia aderente intorno al viso. **Serrare il cordoncino.**

Per una visione ottimale, è possibile regolare l'angolo della fascia interna della testa all'interno della maschera per la saldatura.

Sostituzione/rimozione della tenuta della testa/facciale

La tenuta della testa/facciale è fissata alla maschera per la saldatura tramite del velcro, per sostituire:

1. Con la maschera posta su una superficie piana, staccare il gruppo tubo flessibile dal canale dell'aria tenendo saldamente il canale dell'aria e ruotando il raccordo a baionetta in senso antiorario.
2. Staccare la vecchia tenuta della testa/facciale dal velcro.
3. Fissare il velcro della tenuta della testa/facciale al velcro del casco, partendo dal punto centrale seguire i contorni del casco assicurandosi che il giunto sia piatto, uniforme e senza pieghe.

Rimozione/sostituzione della fascia antisudore/imbottitura per la testa

Sia la fascia antisudore che l'imbottitura possono essere sostituite molto facilmente.

Per sostituire la fascia antisudore:

1. Rimuovere i 2 bulloni $\frac{1}{4}$ di giro dal canale dell'aria.
2. Rimuovere la vecchia fascia antisudore.
3. Collocare i 4 fori punzonati della fascia antisudore di ricambio sopra i 4 fermi della fascia della testa.
4. Collocare i due bulloni $\frac{1}{4}$ di giro nel canale dell'aria e fissare.
5. Piegare la fascia antisudore sopra la fascia della testa e posizionarla sui fermi.

Per sostituire l'imbottitura:

1. Rimuovere la vecchia imbottitura, pulire la superficie del velcro dagli eventuali residui.
2. Rimontare la nuova imbottitura, posizionarla centralmente sulla fascia della testa e premere saldamente il velcro in posizione.

Pulizia

Pulire con un panno umido (non bagnato) imbevuto di acqua tiepida saponata per pulire la maschera per la saldatura, il facciale e il tubo flessibile. Fare attenzione durante la pulizia delle lenti esterna/interna, possono graffiarsi. Asciugare con un panno morbido e asciutto e fare asciugare all'aria.

Non far entrare l'acqua nel canale dell'aria. ATTENZIONE: Non pulire con solventi commerciali o composti organici.

ADF



Spiegazione dei marchi di omologazione:

XA-1021	Nome del modello di ADF
CSS	Marchatura del fabbricante
4 / 5-9 / 9-13	Gamme di sfumature disponibili (vedere la tabella delle gradazioni di sfumatura consigliate per le applicazioni)
1/1/1/1/379	Spiegazione della certificazione dell'ADF
	1 = classe ottica
	1 = classe di stray light
	1 = classe di omogeneità
	1 = classe di distribuzione angolare
	379 = norma EN 379

Per sostituire la lente dell'ADF, spostare l'interruttore in basso fino alla posizione di sblocco ed estrarla lentamente dal casco. La batteria e l'apparecchiatura elettrica di comando esterna devono essere rimosse, spingendo con cautela verso l'esterno la clip di fissaggio in alto, sganciando la cava di riferimento nella parte inferiore del pacco batteria.

Impostazione per la saldatura/rettifica

In base all'operazione che si desidera eseguire, impostare il selettore della modalità saldatura/rettifica sulla posizione corrispondente.

Impostazione della sfumatura

In modalità saldatura, selezionare la sfumatura secondo la norma EN 379 (vedere la tabella di seguito).

Per impostare la sensibilità/ritardo della luce:

- a. Impostare la manopola di controllo per la sensibilità della luce sulla posizione HI (massima sensibilità alla luce).
- b. Ruotare lentamente la manopola di controllo per la sensibilità della luce in senso antiorario finché l'ADF non diventa più scuro. L'impostazione LO è adatta per la saldatura ad alto amperaggio e per la saldatura in condizioni di elevata luminosità. L'impostazione HI è adatta per la saldatura a basso amperaggio, in condizioni di scarsa luminosità e per la saldatura TIG. Con questo ADF si raccomanda di utilizzare un'impostazione di sensibilità maggiore.
- c. Impostare il ritardo dal buio alla luce (da 0,1s MIN a 0,9s MAX) come necessario. L'impostazione MIN è ideale per la puntatura o per la saldatura di produzione con saldature corte. L'impostazione MAX è ideale per la saldatura ad alto amperaggio dove è presente una luminescenza residua dopo la saldatura.

Alimentazione

L'alimentazione per l'ADF R23AWH 9/13 è fornita da celle solari e da una batteria al litio CR2450 sostituibile. Il comando di attivazione o disattivazione dell'ADF è automatico.

024-001-911 Rev B 07/2019 ConceptAir (respiratori)

Regolamento (UE) 2016/425 o direttiva 89/686/CEE sui DPI: Esame UE/CE (a seconda del caso) a opera di: BSI Group The Netherlands B.V., Say Building, John M. Keynesplein 9, 1066 EP, Amsterdam, Paesi Bassi (Organismo notificato n. 2797) o BSI Assurance UK Ltd, Kitemark Court, Davy Avenue, Knowlhill, Milton Keynes MK5 8PP, UK (Organismo notificato n. 0086) come specificato sull'etichetta del prodotto.

Centurion Safety Products Ltd
T: +44 (0) 1842 754266 | F: +44 (0) 1842 765590 | sales@centurionsafety.co.uk | 21 Howlett Way, Thetford, Norfolk, IP24 1HZ, England
centurionsafety.eu



Luce spia di batteria scarica

La luce spia di batteria scarica lampeggia quando la batteria è scarica.

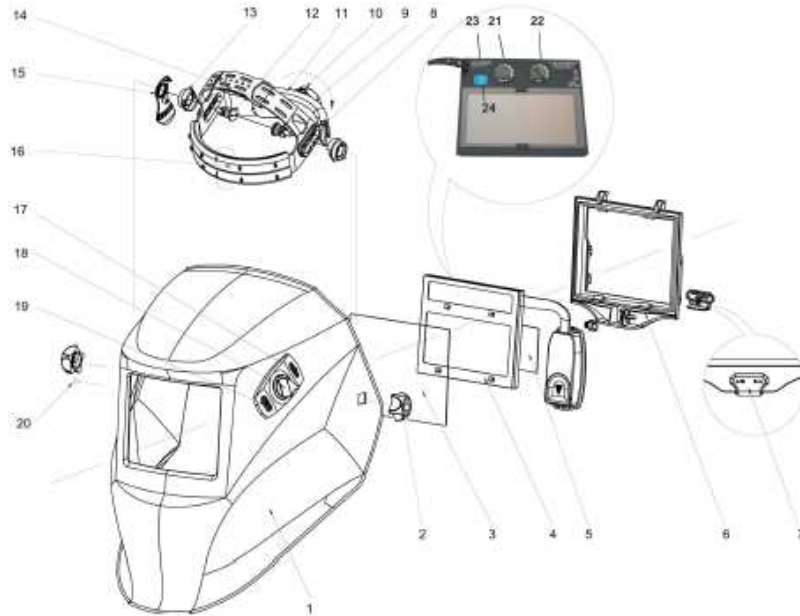
Luce lampeggiante di rettifica

La luce di rettifica lampeggia quando si utilizza tale funzione.

ATTENZIONE: Per evitare danni agli occhi, non eseguire saldature quando è impostata la modalità rettifica.

Gradazioni di sfumatura consigliate

Procedura di saldatura	Corrente elettrica (A)																							
	1.5	6	10	15	30	40	60	70	100	125	150	175	200	225	250	300	350	400	450	500	600			
MMA (elettrodi rivestiti)	8						9			10			11			12			13			14		
MAG	8						9			10			11			12			13			14		
TIG				8			9			10			11			12			13					
MIG							9			10			11			12			13			14		
Saldatura MIG di materiali leggeri										10			11			12			13			14		
Scriccatura arco-aria	10									11			12			13			14			15		
Taglio con getto al plasma										9			10			11			12			13		
Saldatura al microplasma	4		5		6		7		8		9		10		11		12							
	1.5	6	10	15	30	40	60	70	100	125	150	175	200	225	250	300	350	400	450	500	600			



1. Guscio del casco
2. Dado di blocco
3. Piastra di protezione esterna
4. Filtro automatico
5. Piastra di protezione interna
6. Telaio
7. Blocco telaio ADF
8. Cursore bardatura (con 3 cave)
9. Vite bardatura (con 3 cave)
10. Manopola di regolazione della tensione della fascia
11. Connettore bardatura
12. Vite bardatura (lunga a destra)
13. Rondella di blocco (a destra)
14. Pulsanti di regolazione della fascia della testa
15. Piastra di posizione segmentata (a destra)
16. Fascia antisudore M23SBWH
17. Pulsante di selezione gamma di sfumature
18. Manopola di regolazione gradazione di sfumatura
19. Manopola di commutazione saldatura/rettifica
20. Punto di posizionamento per la piastra segmentata
21. Manopola sensibilità
22. Manopola ritardo
23. Luce spia di batteria scarica
24. Luce lampeggiante di rettifica

024-001-911 Rev B 07/2019 ConceptAir (respiratori)

Regolamento (UE) 2016/425 o direttiva 89/686/CEE sui DPI: Esame UE/CE (a seconda del caso) a opera di: BSI Group The Netherlands B.V., Say Building, John M. Keynesplein 9, 1066 EP, Amsterdam, Paesi Bassi (Organismo notificato n. 2797) o BSI Assurance UK Ltd, Kitemark Court, Davy Avenue, Knowlhill, Milton Keynes MK5 8PP, UK (Organismo notificato n. 0086) come specificato sull'etichetta del prodotto.

Pezzi di ricambio principali

Descrizione	Codice
Respiratore con casco/visore di ricambio	R23CHFUV
Respiratore con visore di ricambio	R23FUVN
Respiratore con maschera per la saldatura di ricambio	R23AWH9/13
Lente di saldatura ADF di ricambio	R23ADF9/13
Filtro antispruzzo per la saldatura di ricambio (10)	R23OLCH
Coperchio della lente di saldatura interna di ricambio (10)	R23ILCH
Copertura del tubo flessibile di Proban	R23PHS
Coperture del visore (respiratore con casco/visore e con visore) (50)	R23VC50N
Fasce antisudore monouso (10)	R23SB
Fascia antisudore + 2 bulloni (visore per la saldatura)	R23SBAWH
Facciale di ricambio (casco/visore)	R23CHFUVF/PN
Facciale di ricambio (visore)	R23FN
Facciale di ricambio (maschera per la saldatura)	R23CAWF
Visore in policarbonato di ricambio per respiratore con casco/visore	R23CHFUVVP
Visore in policarbonato di ricambio completo di Velcro per respiratore con visore	R23VN
Gruppo tubo flessibile di ricambio (0,85 m)	R23HAHD
Assemblaggio del tubo flessibile (1 m per impieghi gravosi)	R23HAHDL

Spiegazione delle omologazioni del casco protettivo e del visore

Il casco protettivo è certificato secondo le seguenti norme:

EN 397

MM	Protezione contro gli spruzzi di metallo fuso
-40 °C	Protezione contro gli urti a le basse temperature
LD	Protezione dalla deformazione laterale
440V c.a.	Adatto per l'utilizzo in situazioni di pericolo da tensione elettrica fino a 440V c.a.
1000V c.a.	Adatto per l'utilizzo in situazioni di pericolo da tensione elettrica fino a 1000V c.a. (EN 50365)

I visori sui respiratori con casco/visore e con visore sono certificati secondo le seguenti norme:

EN 166

1	Classe ottica più alta
B	Protezione contro gli urti (120 m/s)
3	Protezione contro gli spruzzo liquidi
9	Protezione contro gli spruzzi di metallo fuso

Conservazione (tutti i respiratori)

Tutte i respiratori devono essere immagazzinati in un'atmosfera asciutta e pulita in un intervallo di temperatura compreso tra -5 °C a + 55 °C a una umidità relativa <90% nell'imballaggio originale. Le condizioni ideali di conservazione sono a una temperatura compresa tra 5 °C e 35 °C, umidità relativa < 60%. Trasporto in imballaggio originale. Se immagazzinato in condizioni corrette, il prodotto ha una durata di conservazione di 5 anni.

Garanzia

Tutti i respiratori ConceptAir sono garantiti contro qualsiasi difetto di materiali o di lavorazione. Qualora tali difetti si presentino entro 12 mesi dall'acquisto, Centurion Safety Products Ltd, a sua discrezione, riparerà o sostituirà il respiratore senza alcun costo aggiuntivo.

RAEE



RAEE (si riferisce SOLO all'unità di alimentazione, batteria e caricatore)

QUESTI PRODOTTI NON DEVONO ESSERE SMALTITI IN IN RIFIUTI URBANI GENERICI.

- Il simbolo dei bidoni dei rifiuti su ruote barrato con barra piena riportato su questo prodotto, sul relativo imballaggio o istruzioni indica che il prodotto è soggetto alla direttiva comunitaria 2002/96/CE sul corretto trattamento dei rifiuti di apparecchiature elettriche ed elettroniche (RAEE).
- I RAEE non possono essere smaltiti come rifiuti urbani e devono essere raccolti e smaltiti separatamente. Devono essere utilizzati gli appositi sistemi di raccolta dei rifiuti pubblici o privati definiti dalle normative nazionali e locali.
- Il prodotto può contenere sostanze che possono danneggiare l'ambiente o la salute umana se vengono smaltiti in modo errato.

Per ulteriori informazioni o per la Dichiarazione di Conformità UE/CE (a seconda del caso) visitare il nostro sito web centurionsafety.eu

024-001-911 Rev B 07/2019 ConceptAir (respiratori)

Regolamento (UE) 2016/425 o direttiva 89/686/CEE sui DPI: Esame UE/CE (a seconda del caso) a opera di: BSI Group The Netherlands B.V., Say Building, John M. Keynesplein 9, 1066 EP, Amsterdam, Paesi Bassi (Organismo notificato n. 2797) o BSI Assurance UK Ltd, Kitemark Court, Davy Avenue, Knowlhill, Milton Keynes MK5 8PP, UK (Organismo notificato n. 0086) come specificato sull'etichetta del prodotto.

Centurion Safety Products Ltd

T: +44 (0) 1842 754266 | F: +44 (0) 1842 765590 | sales@centurionsafety.co.uk | 21 Howlett Way, Thetford, Norfolk, IP24 1HZ, England

centurionsafety.eu

INSTRUKCJA OBSŁUGI: Nagłowia ConceptAir

Przed użyciem nagłowia należy koniecznie przeczytać niniejszą instrukcję oraz instrukcję dostarczoną z zasilaczem.

Poniższa tabela zawiera certyfikowane i mające odpowiednie aprobaty systemy ConceptAir.

Numer kat.	Opis	Certyfikat ochrony dróg oddechowych	Wskaźnik ochrony dróg oddechowych NPF/APP	Certyfikat ochrony głowy/oczu
R23CHFUVKIT	Hełm z wizjerem z systemem PAPR	EN 12941:1998+A2:2008 TH2P	NPF 50	EN 397 i EN 166
R23FUVNKIT	Wizjer z systemem PAPR	EN 12941:1998+A2:2008 TH2P	NPF 50	EN 166
R23AWH9/13KIT	Przyłbica spawalnicza z systemem PAPR	EN 12941:1998+A2:2008TH2P	NPF 50	EN 166 i EN 175

Nominalny wskaźnik ochrony (NPF) bazuje na testach laboratoryjnych wykonanych zgodnie z normą EN 12941. Wskazówki dotyczące wskaźnika ochrony dla danego kraju można znaleźć w normie EN 529.

OSTRZEŻENIE

- Nieprawidłowe założenie i konserwacja nagłowia spowodują obniżenie ochrony dróg oddechowych.
- Po uniesieniu wizjera sprzęt nie chroni dróg oddechowych.
- Ochrona dróg oddechowych oferowana przez wizjery i kaptury może ulec obniżeniu w wyniku działania silnego wiatru.
- W mało prawdopodobnym przypadku wyłączenia lub braku działania zasilacza, ochrona dróg oddechowych jest niewielka lub żadna.
- W stanie wyłączenia zasilania może dojść do szybkiego nagromadzenia się dwutlenku węgla i wyczerpania się tlenu.
- To niezwykle ważne, aby montaż i zakładanie każdego sprzętu ochrony osobistej odbywały się w miejscu o „czystym powietrzu”.
- Przed zdjęciem ochrony dróg oddechowych użytkownik powinien opuścić skażone miejsce i odkazić siebie oraz odzież.

R23CHFUVKIT – Hełm z nagłowiem z wizjerem z poliwęglanu

R23CHFUVKIT to hełm z unoszonym wizjerem i doprowadzeniem powietrza z mocowanego w pasie zasilacza przez spiralny przewód wzmocniony PCV i lekki wewnętrzny kanał powietrzny. Aby maksymalnie ograniczyć parowanie, powietrze jest doprowadzone do górnej części wizjera i skierowane do strefy oddychania. **R23CHFUVKIT** jest przeznaczony do użytku w miejscach, gdzie istnieje zagrożenie dla dróg oddechowych i użytkownik wymaga ochrony głowy, twarzy i oczu. Kask przemysłowy służy do ochrony użytkownika przed spadającymi obiektami, a w konsekwencji przed urazem mózgu. Ochrona twarzy/oczu ma za zadanie chronić użytkownika przed uderzeniami i latającymi odłamkami.

Przed użyciem należy usunąć zabezpieczenie z zewnętrznej części wizjera.

Upewnić się, że wizjer, osłona czoła, głowy, uszczelnienie twarzy oraz przewód nie mają żadnych widocznych uszkodzeń.

Sprawdzić nagłowia, aby upewnić się, że hełm, zespół wizjera, osłona głowy, uszczelnienie twarzy oraz przewód nie mają żadnych widocznych uszkodzeń.

Zakładanie

Przed założeniem hełmu należy podłączyć do niego przewód i zasilacz, po czym założyć pasek klamrą do przodu.

Sprawdzić, czy powietrze wypływa z przedniej części wewnętrznego kanału powietrza w hełmie, po czym odpowiednio wyregulować pasek uprząży nagłowej, umieszczając ją wygodnie na głowie.

Założyć hełm i dociągnąć pałąk.

Uwaga! W celu zapewnienia odpowiedniej ochrony głowy, hełm należy dopasować lub wyregulować do rozmiaru głowy użytkownika. Wyregulować hełm za pomocą pałąka znajdującą się w tylnej części, aby zapewnić bezpieczne i komfortowe dopasowanie. Konstrukcja hełmu ma pochłaniać energię uderzenia poprzez częściowe zniszczenie lub uszkodzenie skorupy i uprząży lub wyściółki ochronnej. Nawet, jeśli takie uszkodzenie nie jest oczywiste, każdy hełm, który został silnie uderzony, należy wymienić. Opuścić wizjer i pociągnąć uszczelnienie twarzy pod podbródek, aby zapewnić szczelne dopasowanie wokół twarzy.

Konserwacja

Przed użyciem należy sprawdzić, czy wszystkie części są sprawne i nieuszkodzone. W razie jakichkolwiek wątpliwości skontaktować się z producentem.

Należy często wymieniać osłony wizjera i sam wizjer w przypadku porysowania lub uszkodzenia.

Pozostała rutynowa konserwacja jest ograniczona do czyszczenia skorupy, przewodu i kanału powietrza oraz wymiany uszczelnienia twarzy, jeśli to konieczne.

Nie należy modyfikować ani usuwać żadnych oryginalnych komponentów hełmu lub innych części oddechowych poza tymi, które zaleca producent.

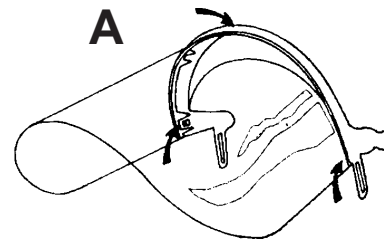
Nie stosować farb, rozpuszczalników, klejów ani etykiet samoprzylepnych.

Mocowanie nowego wizjera

Aby usunąć stary wizjer, najpierw wyjąć biały bolec umieszczony na środku mocowania wizjera (A), po czym zdemontować wizjer.

Aby zamocować nowy wizjer, najpierw należy umieścić otwory na obu końcach wizjera na wypustkach w jego mocowaniu.

Nacisnąć delikatnie z przodu wizjera, aby wcisnąć go na miejsce. Następnie przełożyć biały bolec zarówno przez mocowanie wizjera, jak i otwór centralny w wizjerze.

**Zdejmowanie/wymiana uszczelnienia głowy/twarzy**

Uszczelnienie głowy/twarzy jest przymocowane za pomocą rzepów. Aby je wymienić, należy:

- Umieścić hełm na płaskiej powierzchni, odłączyć zespół przewodu od kanału powietrza, trzymając mocno za kanał i obracając złącze bagnetowe przeciwnie do ruchu wskazówek zegara.
- Odłączyć stare uszczelnienie głowy/twarzy od rzepu.
- Przymocować rzep uszczelnienia głowy/twarzy do rzepu hełmu, zaczynając od środka i podążając za kształtem hełmu, a także upewniając się, że połączenie jest płaskie, gładkie i bez fałd.

Czyszczenie

Czyszczenie hełmu, przewodu i kanału powietrza polega na ich wytarciu wilgotną (nie mokrą) miękką szmatką zwilżoną ciepłą wodą z mydłem. Następnie należy je wytrzeć do sucha miękką suchą szmatką.

024-001-911 Wer. B 07/2019 ConceptAir (nagłowia)

Rozporządzenie w sprawie środków ochrony indywidualnej (UE) 2016/425 lub dyrektywa w sprawie środków ochrony indywidualnej 89/686/EWG: Badanie typu UE/WE (odpowiednio) przeprowadzone przez: BSI Group The Netherlands B.V., Say Building, John M. Keynesplein 9, 1066 EP, Amsterdam, Holandia (jednostka notyfikowana nr 2797) lub BSI Assurance UK Ltd, Kitemark Court, Davy Avenue, Knowlhill, Milton Keynes MK5 8PP, Wielka Brytania (jednostka notyfikowana nr 0086), jak określono na etykiecie produktu.

Centurion Safety Products Ltd

T: +44 (0) 1842 754266 | F: +44 (0) 1842 765590 | sales@centurionsafety.co.uk | 21 Howlett Way, Thetford, Norfolk, IP24 1HZ, England

centurionsafety.eu

Nie dopuścić do dostania się wody do kanału powietrza.

Uważać, aby niczego nie porysować. **OSTRZEŻENIE! Nie czyścić za pomocą dostępnych w sprzedaży rozpuszczalników ani związków organicznych.** Uszczelnienie twarzy można prac w temperaturze 40°C z dodatkiem domowego proszku do prania.

R23FUVNKIT – Wizjer z poliwęglanu

R23FUVNKIT to unoszony wizjer z doprowadzeniem powietrza z mocowanego w pasie zasilacza przez spiralny przewód wzmocniony PCV i lekki wewnętrzny kanał powietrzny. Aby maksymalnie ograniczyć parowanie, powietrze jest doprowadzone do górnej części wizjera i skierowane do strefy oddychania.

R23FUVNKIT jest przeznaczony do użytku w miejscach, gdzie istnieje zagrożenie dla dróg oddechowych i użytkownik wymaga ochrony twarzy i oczu. Ochrona twarzy/oczu ma za zadanie chronić użytkownika przed uderzeniami i latającymi odłamkami.

Przed użyciem należy usunąć zabezpieczenie z zewnętrznej części wizjera.

Upewnić się, że wizjer, osłona czoła, głowy, uszczelnienie twarzy oraz przewód nie mają żadnych widocznych uszkodzeń.

Zakładanie

Przed założeniem wizjera należy podłączyć do niego przewód i zasilacz, po czym założyć pasek klamrą do przodu.

Sprawdzić, czy powietrze wypływa z przedniej części wewnętrznego kanału powietrza. Założyć wizjer i wyregulować pasek uprząży, aby wygodnie dopasować pałąk nad uszami. Wyregulować uprząż nagłowną do odpowiedniego rozmiaru, używając tylnego pokrętła zapadkowego. Opuścić wizjer i pociągnąć uszczelnienie twarzy pod podbródek, aby zapewnić szczelne dopasowanie wokół twarzy. Pociągnąć osłonę głowy w dół, aby zachodziła na krawędzie osłony czoła wzdłuż połączenia z wizjerem. Wsunąć uszczelnienie głowy pod tylną krawędź osłony czoła do punktu obrotu, aby uzyskać jak najszczelniejsze dopasowanie między osłoną głowy i uszczelnieniem twarzy.

Mocowanie nowego wizjera

Wizjer należy wymienić, kiedy ulegnie porysowaniu lub przebicciu.

Aby zdemontować wizjer, najpierw należy usunąć trzy przednie bolce, wypychając je od wewnątrz.

Następnie nacisnąć wizjer, aby odchylić boki od osłony czoła i zdemontować.

Aby zamocować nowy wizjer, należy umieścić otwory na obu końcach wizjera w osłonie czoła.

Wsunąć wizjer w szczelinę w osłonie czoła i delikatnie nacisnąć z przodu wizjera, aby nasunąć go na środkową wypustkę w mocowaniu, aż znajdzie się w środkowym otworze wizjera.

Upewnić się, że wszystkie wypustki mocowania są całkowicie umieszczone w otworach wizjera. Ponownie przełożyć dwa białe bolce z przodu osłony czoła przez osłonę czoła i wizjer. Uwaga! Osłonę głowy, uszczelnienie twarzy, przewód powietrza lub kanał należy wymienić, jeśli ulegną uszkodzeniu.

Zdejmowanie/wymiana uszczelnienia głowy/twarzy

Uszczelnienie głowy/twarzy jest przymocowane za pomocą rzepów. Aby je wymienić, należy:

1. Umieścić hełm na płaskiej powierzchni, odłączyć zespół przewodu od kanału powietrza, trzymając mocno za kanał i obracając złącze bagnetowe przeciwnie do ruchu wskazówek zegara.
2. Odłączyć stare uszczelnienie głowy/twarzy od rzepu.
3. Przymocować rzep uszczelnienia głowy/twarzy do rzepu hełmu, zaczynając od środka i podążając za kształtem hełmu, a także upewniając się, że połączenie jest płaskie, gładkie i bez fałd.

Zdejmowanie/wymiana potnika/podkładki piankowej nagłownej

Zarówno potnik, jak i podkładkę piankową nagłowną można bardzo łatwo wymienić.

Wymiana potnika:

1. Odkręcić 2 śruby ćwierćobrotowe z kanału powietrza.
2. Usunąć stary potnik.
3. Umieścić 4 wybite otwory nowego potnika na 4 wypustkach mocujących pałąka.
4. Umieścić 2 śruby ćwierćobrotowe w kanale powietrza i zamocować.
5. Założyć potnik na pałąk i umieścić na wypustkach.

Czyszczenie

Czyszczenie wizjera, osłony na czoło i przewodu polega na ich wytarciu wilgotną (nie mokrą) miękką szmatką zwilżoną ciepłą wodą z mydłem. Następnie należy je wytrzeć do sucha miękką suchą szmatką. **Nie dopuścić do dostania się wody do kanału powietrza. OSTRZEŻENIE! Nie czyścić za pomocą dostępnych w sprzedaży rozpuszczalników ani związków organicznych.** Uszczelnienie twarzy i głowy można prac w temperaturze 40°C z dodatkiem domowego proszku do prania.

R23AWH9/13KIT – Przyłbica spawalnicza z filtrem ADF

R23AWH9/13KIT to przyłbica spawalnicza z filtrem samościemniającym z doprowadzeniem powietrza z mocowanego w pasie zasilacza przez spiralny przewód wzmocniony PCV i lekki wewnętrzny kanał powietrzny. **R23AWH9/13KIT** jest przeznaczony do użytku w miejscach, gdzie istnieje zagrożenie dla dróg oddechowych i użytkownik wymaga ochrony twarzy i oczu. Hełm spawalniczy ma za zadanie chronić przed promieniowaniem UV/IR, cząstkami o niskiej energii i iskrami spawalniczymi.

Przyłbica spawalnicza jest wyposażona w filtr spawalniczy samościemniający (ADF). Przed rozpoczęciem spawania filtr jest rozjaśniony, aby operator mógł wyraźnie widzieć powierzchnię obrabianą. Po zajarzeniu łuku filtr automatycznie ciemnieje w ciągu około 0,08 ms. Kiedy łuk zgaśnie, filtr ponownie rozjaśnia się. Operator może ustawić czas przelączania między ciemnym i jasnym filtrem w zakresie 0,1-0,9 sekundy. Przyłbica spawalnicza jest wyposażona w bezstopniowy regulator zaciemnienia, który pozwala operatorowi wybrać dowolną wartość zaciemnienia z zakresu 5-13.

Przyłbica spawalnicza zapewnia operatorom trwałą, pełną ochronę przed promieniowaniem UV/IR do DIN15, nawet gdy filtr jest rozjaśniony. Zasilanie pochodzi z ogniw słonecznych i wymiennej baterii. Filtr ADF jest wyposażony w 4 zestawy czujników fotoelektrycznych wykrywających światło łuku. Dodatkowo maska jest także wyposażona w zewnętrzną płytkę ochronną wykonaną z polimerów wielkocząsteczkowych. Osłona jest odporna na zużycie, termostabilna i przeciwrozpryskowa, oferując długi okres eksploatacji.

Przed pierwszym użyciem należy usunąć zabezpieczenie z zewnątrz soczewki przeciwrozpryskowej i od wewnątrz filtra ADF.

Upewnić się, że przyłbica, soczewki, osłona głowy, uszczelnienie twarzy oraz przewód zespołu przyłbicy spawalniczej nie mają żadnych widocznych uszkodzeń.

OSTRZEŻENIE

Przed użyciem należy przeczytać ze zrozumieniem całą instrukcję.

- Należy upewnić się, że zaciemnienie soczewki w przyłbicy spawalniczej ma wartość odpowiednią do danego zastosowania.
- Opisywane przyłbice i soczewki nie nadają się do spawania „pałapowego”, laserowego ani do cięcia laserowego.
- Przyłbice spawalnicze są przeznaczone do ochrony oczu i twarzy przed iskrami, rozpryskami i szkodliwym promieniowaniem w normalnych warunkach spawania.
- Niniejsza przyłbica nie chroni przed urządzeniami wybuchowymi ani żrącymi cieczami. W przypadku występowania tych zagrożeń należy stosować osłony maszynowe lub okulary chroniące przed rozpryskami.
- Należy unikać pozycji roboczych, które mogłyby narazić niezabezpieczone części ciała na iskry, rozpryski, bezpośrednie i/lub odbite promieniowanie. Jeśli nie można uniknąć takiego narażenia, należy użyć odpowiedniego zabezpieczenia.

024-001-911 Wer. B 07/2019 ConceptAir (nagłowia)

Rozporządzenie w sprawie środków ochrony indywidualnej (UE) 2016/425 lub dyrektywa w sprawie środków ochrony indywidualnej 89/686/EWG:
Badanie typu UE/WE (odpowiednio) przeprowadzone przez: BSI Group The Netherlands B.V., Say Building, John M. Keynesplein 9, 1066 EP, Amsterdam, Holandia (jednostka notyfikowana nr 2797) lub BSI Assurance UK Ltd, Kitemark Court, Davy Avenue, Knowlhill, Milton Keynes MK5 8PP, Wielka Brytania (jednostka notyfikowana nr 0086), jak określono na etykiecie produktu.

Centurion Safety Products Ltd

T: +44 (0) 1842 754266 | F: +44 (0) 1842 765590 | sales@centurionsafety.co.uk | 21 Howlett Way, Thetford, Norfolk, IP24 1HZ, England

centurionsafety.eu



- Przed każdym użyciem należy sprawdzić przepuszczalność światła. Przed każdym użyciem należy także sprawdzić, czy płytki ochronne są czyste i czy żadne zabrudzenia nie zasłaniają czujników z przodu soczewki.
- Przed każdym użyciem należy sprawdzić wszystkie części eksploatacyjne pod kątem zużycia lub uszkodzenia. Każdą porysowaną, pękniętą lub przebitą część należy niezwłocznie wymienić.
- Nie dokonywać żadnych modyfikacji soczewki ani przyłbicy spawalniczej innych, niż podane w niniejszej instrukcji. Nie używać żadnych części zamiennych innych, niż podane w niniejszej instrukcji. Nieautoryzowane modyfikacje i części zamienne unieważnią gwarancję i narażą użytkownika na ryzyko obrażeń ciała.
- Jeśli soczewka nie ciemnieje podczas zajarzania łuku, należy natychmiast przerwać spawanie.
- Nie stosować żadnych rozpuszczalników na jakichkolwiek elementach soczewki lub przyłbicy.
- Zalecany zakres temperatur pracy dla soczewki spawalniczej wynosi od -10°C do 65°C. Nie należy używać urządzenia poza tymi limitami temperatury.

Zakładanie

Przed założeniem przyłbicy spawalniczej należy podłączyć do niej przewód i zasilacz, po czym założyć pasek klamrą do przodu. Sprawdzić, czy powietrze wypływa z przedniej części wewnętrznego kanału powietrza. Upewnić się, że czujniki na filtrze ADF są czyste i nie zasłonięte. Upewnić się, że uchwyt filtra ADF jest ciasno zamocowany oraz że mocowanie na filtrze ADF jest zamknięte.

Założyć przyłbicę spawalniczą i wyregulować pasek uprząży, aby wygodnie dopasować pałąk nad uszami. Wyregulować uprząż nagłowną do odpowiedniego rozmiaru, używając tylnego pokrętki zapadkowego. Opuścić przyłbicę spawalniczą i pociągnąć uszczelnienie twarzy pod podbródek, aby zapewnić szczelne dopasowanie wokół twarzy. **Dociągnąć linkę.**

Aby zapewnić optymalną widoczność, można wyregulować kąt pałąka wewnątrz przyłbicy spawalniczej.

Zdejmowanie/wymiana uszczelnienia głowy/twarzy

Uszczelnienie głowy/twarzy jest przymocowane do przyłbicy spawalniczej za pomocą rzepów. Aby je wymienić, należy:

1. Umieścić hełm na płaskiej powierzchni, odłączyć zespół przewodu od kanału powietrza, trzymając mocno za kanał i obracając złącze bagnetowe przeciwnie do ruchu wskazówek zegara.
2. Odłączyć stare uszczelnienie głowy/twarzy od rzepu.
3. Przymocować rzep uszczelnienia głowy/twarzy do rzepu hełmu, zaczynając od środka i podążając za kształtem hełmu, a także upewniając się, że połączenie jest płaskie, gładkie i bez fałd.

Zdejmowanie/wymiana potnika/podkładki piankowej nagłownej

Zarówno potnik, jak i podkładkę piankową nagłowną można bardzo łatwo wymienić.

Wymiana potnika:

1. Odkręcić 2 śruby ćwierćbrotowe z kanału powietrza.
2. Usunąć stary potnik.
3. Umieścić 4 wybite otwory nowego potnika na 4 wypustkach mocujących pałąka.
4. Umieścić 2 śruby ćwierćbrotowe w kanału powietrza i zamocować.
5. Założyć potnik na pałąk i umieścić na wypustkach.

Wymiana podkładki piankowej nagłownej:

1. Usunąć starą podkładkę piankową nagłowną, oczyścić powierzchnię rzepu z ewentualnych zanieczyszczeń.
2. Zamocować nową podkładkę piankową nagłowną, umieszczając ją centralnie na pałąku i mocno dociskając rzep.

Czyszczenie

Czyszczenie przyłbicy spawalniczej, uszczelnienia twarzy i przewodu polega na ich wytarciu wilgotną (nie mokrą) miękką szmatką zwilżoną ciepłą wodą z mydłem. Zachować ostrożność podczas czyszczenia zewnętrznej/wewnętrznej soczewki, ponieważ można je zarysować. Następnie należy je wytrzeć do sucha miękką suchą szmatką i zostawić do wyschnięcia. **Nie dopuścić do dostania się wody do kanału powietrza.**

OSTRZEŻENIE! Nie czyścić za pomocą dostępnych w sprzedaży rozpuszczalników ani związków organicznych.

Filtr ADF



Objaśnienie oznaczeń aprobat:

XA-1021	Nazwa modelu filtra ADF
CSS	Oznaczenie producenta
4/5-9/9-13	Dostępne zakresy zaciemnienia (patrz tabela zalecanych wartości zaciemnienia dla różnych zastosowań)
1/1/1/1/379	Objaśnienie certyfikatu filtra ADF
	1 = klasa optyczna
	1 = światło rozproszone
	1 = jednorodność
	1 = zależność kątowna
	379 = norma EN 379

W celu wymiany soczewki ADF wystarczy przesunąć przełącznik w dolnej części w położenie odblokowania i powoli wysunąć ją z przyłbicy. Należy usunąć baterię i aparaturę łączeniową, ostrożnie wypychając zacisk ustalający w górnej części i zwalniając gniazdo ustalające w dolnej części baterii.

Ustawienie spawania/szlifowania

W zależności od tego, czy użytkownik chce spawać czy szlifować, należy ustawić przełącznik trybu spawania/szlifowania w odpowiednim położeniu.

Ustawienie zaciemnienia

W trybie spawania należy wybrać zaciemnienie zgodnie z normą EN 379 (patrz tabela poniżej).

Ustawianie światłoczułości/opóźnienia:

- a. Ustawić pokrętkę regulacji światłoczułości w położeniu HI (maksymalna światłoczułość).
- b. Powoli obracać pokrętkę regulacji światłoczułości przeciwnie do ruchu wskazówek zegara, aż filtr ADF przestanie robić się coraz ciemniejszy. Ustawienie LO jest odpowiednie do spawania prądem o dużym natężeniu oraz do spawania przy jasnym oświetleniu. Ustawienie HI jest odpowiednie do spawania prądem o małym natężeniu, słabego oświetlenia i do spawania metodą TIG. W tym filtrze ADF zalecamy ustawienie wyższej światłoczułości.
- c. Ustawić wymagane opóźnienie od zaciemnienia do rozjaśnienia (0,1 s MIN do 0,9 s MAX). Ustawienie MIN idealnie nadaje się do szczypania lub spawania produkcyjnego w przypadku krótkich spoin. Ustawienie MAX idealnie nadaje się do spawania prądem o dużym natężeniu, gdzie występuje poświata od spoiny.

Zasilanie

Zasilanie filtra ADF R23AWH 9/13 zapewniają ogniwa słoneczne i jedna wymienna bateria litowa CR2450. Włączanie i wyłączanie filtra ADF jest kontrolowane automatycznie.

024-001-911 Wer. B 07/2019 ConceptAir (nagłowia)

Rozporządzenie w sprawie środków ochrony indywidualnej (UE) 2016/425 lub dyrektywa w sprawie środków ochrony indywidualnej 89/686/EWG: Badanie typu UE/WE (odpowiednio) przeprowadzone przez: BSI Group The Netherlands B.V., Say Building, John M. Keynesplein 9, 1066 EP, Amsterdam, Holandia (jednostka notyfikowana nr 2797) lub BSI Assurance UK Ltd, Kitemark Court, Davy Avenue, Knowlhill, Milton Keynes MK5 8PP, Wielka Brytania (jednostka notyfikowana nr 0086), jak określono na etykiecie produktu.

Centurion Safety Products Ltd

T: +44 (0) 1842 754266 | F: +44 (0) 1842 765590 | sales@centurionsafety.co.uk | 21 Howlett Way, Thetford, Norfolk, IP24 1HZ, England

centurionsafety.eu



Główne części zamienne

Opis	Kod
Zapaszowy hełm/nagłowie z wizjerem	R23CHFUV
Zapaszowe nagłowie z wizjerem	R23FUVN
Zapaszowa przyłbica spawalnicza	R23AWH9/13
Zapaszowa soczewka spawalnicza filtra ADF	R23ADFH9/13
Zapaszowy filtr spawalniczy przeciwrozpryskowy (10)	R23OLCH
Zapaszowa osłona wewnętrzna soczewki spawalniczej (10)	R23ILCH
Osłona przewodu Proban	R23PHS
Osłony wizjerów (hełm z wizjerem i nagłowia z wizjerem) (50)	R23VC50N
Potniki jednorazowe (wizjer) (10)	R23SB
Potnik + 2 śruby (osłona spawalnicza)	R23SBAWH
Zapaszowe uszczelnienie twarzy (hełm z wizjerem)	R23CHFUVF/PN
Zapaszowe uszczelnienie twarzy (wizjer)	R23FN
Zapaszowe uszczelnienie twarzy (przyłbica spawalnicza)	R23CAWF
Zapaszowy wizjer z poliwęglanu do hełmu/nagłowia z wizjerem	R23CHFUVVP
Zapaszowy wizjer z poliwęglanu wyposażony w rzep do nagłowia z wizjerem	R23VN
Zapaszowy zespół przewodu (0,85 m)	R23HAHD
Zespół przewodu (1 m, wytrzymały)	R23HAHDL

Objaśnienie aprobat hełmu ochronnego i wizjera

Hełm ochronny posiada certyfikaty zgodności z następującymi normami:

EN 397

MM	Ochrona przed rozpryskami stopionego metalu
-40°C	Ochrona przed uderzeniem przy niskich temperaturach
LD	Ochrona przed deformacją boczną
440 V AC	Odpowiednie do stosowania w obecności zagrożeń związanych z napięciem elektrycznym do 440 V AC
1000 V AC	Odpowiednie do stosowania w obecności zagrożeń związanych z napięciem elektrycznym do 1000 V AC (EN 50365)

Wizjery w hełmach z wizjerem i nagłowia z wizjerem posiadają certyfikaty zgodności z następującymi normami:

EN 166

1	Najwyższa klasa optyczna
B	Ochrona przed uderzeniami (120 m/s)
3	Ochrona przed rozpryskami cieczy
9	Ochrona przed rozpryskami stopionego metalu

Przechowywanie (wszystkie nagłowia)

Wszystkie nagłowia należy przechowywać w czystym suchym miejscu w zakresie temperatur od -5°C do +55°C, przy wilgotności względnej RH<90%, w oryginalnym opakowaniu. Idealne warunki przechowywania to 5-35°C, RH < 60%. Transportować w oryginalnym opakowaniu. Okres przechowywania produktu w prawidłowych warunkach wynosi 5 lat.

Gwarancja

Wszystkie hełmy ConceptAir są objęte gwarancją dotyczącą braku jakichkolwiek wad materiałowych lub wykonawczych. W przypadku wystąpienia takich wad w ciągu 12 miesięcy od daty zakupu, firma Centurion Safety Products Ltd wedle własnego uznania bezpłatnie naprawi lub wymieni dane nagłowie.

WEEE



WEEE (dotyczy TYLKO zasilacza, baterii i ładowarki)

OPISYWANYCH PRODUKTÓW NIE NALEŻY WYRZUCAĆ Z OGÓLNYMI ODPADAMI KOMUNALNYMI

- Symbol przekreślonego pojemnika na odpady na kółkach, z pełnym podkreśleniem, umieszczony na tym produkcie, jego opakowaniu lub instrukcji oznacza, że produkt podlega wymogom dyrektywy Wspólnoty Europejskiej 2002/96/WE w sprawie prawidłowego postępowania ze zużytym sprzętem elektrycznym i elektronicznym (WEEE).
- Sprzętu WEEE nie można wyrzucać z odpadami komunalnymi i należy go zbierać i utylizować oddzielnie. Należy stosować odpowiednie publiczne lub prywatne systemy zbiórki odpadów, określone przez przepisy lokalne i krajowe.
- Produkt może zawierać substancje, które w przypadku nieprawidłowej utylizacji mogą być szkodliwe dla środowiska naturalnego lub zdrowia ludzi.

Więcej informacji lub deklarację zgodności UE/WE (odpowiednio) można znaleźć w witrynie internetowej centurionsafety.eu

024-001-911 Wer. B 07/2019 ConceptAir (nagłowia)

Rozporządzenie w sprawie środków ochrony indywidualnej (UE) 2016/425 lub dyrektywa w sprawie środków ochrony indywidualnej 89/686/EWG: Badanie typu UE/WE (odpowiednio) przeprowadzone przez: BSI Group The Netherlands B.V., Say Building, John M. Keynesplein 9, 1066 EP, Amsterdam, Holandia (jednostka notyfikowana nr 2797) lub BSI Assurance UK Ltd, Kitemark Court, Davy Avenue, Knowlhill, Milton Keynes MK5 8PP, Wielka Brytania (jednostka notyfikowana nr 0086), jak określono na etykiecie produktu.

Centurion Safety Products Ltd

T: +44 (0) 1842 754266 | F: +44 (0) 1842 765590 | sales@centurionsafety.co.uk | 21 Howlett Way, Thetford, Norfolk, IP24 1HZ, England

centurionsafety.eu



ВГ: ИНСТРУКЦИИ ЗА ПОТРЕБИТЕЛЯ: ConceptAir шлемове

Преди да използвате шлема, важно е да прочетете тези инструкции и инструкциите, доставени със захранващия модул

Таблицата по-долу показва системите ConceptAir, които са сертифицирани, както и релевантните одобрения.

Каталожен номер	Описание	Респираторен сертификат	Фактор за респираторна защита NPF/APF	Сертификат глава/око
R23CHFUVKIT	Система с каска и визьор PAPER	EN 12941:1998+A2:2008 TH2P	NPF 50	EN 397 и EN 166
R23FUVNKIT	Система с визьор PAPER	EN 12941:1998+A2:2008 TH2P	NPF 50	EN 166
R23AWH9/13KIT	Система с каска за заваряване PAPER	EN 12941:1998+A2:2008 TH2P	NPF 50	EN 166 и EN 175

Номиналният фактор за защита (NPF) е извлечен от лабораторните тестове, предприети по EN12941. Моля, обърнете се към EN529 за насока относно специфичния за страната фактор за защита.

ПРЕДУПРЕЖДЕНИЕ

- Респираторната защита ще се намали, освен ако шлемът не се постави правилно и не се поддържа според нужното.
- Няма респираторна защита при визьор в горна позиция.
- Респираторната защита, предлагана от визьорите и капациите, може да се намали при наличие на ветрове с висока скорост.
- В малко вероятния случай, при който захранващият модул е изключен или не функционира, се предоставя малко или никаква респираторна защита.
- В състояние на изключване може да се получи светкавично натрупване на въглероден диоксид и липса на кислород.
- Много е важно сглобяването и поставянето на всяко защитно оборудване да се извършват в среда с «чист въздух».
- Носещият трябва да напусне замърсената зона и да отстрани от себе си и от дрехите си всяко замърсяване, преди да свали респираторната защита.

R23CHFUVKIT - Шлем с каска с поликарбонатен визьор

R23CHFUVKIT е каска с подвижен се нагоре визьор, която се захранва с въздух от монтиран на кръста захранващ модул чрез спирален подсилен PVC маркуч и олекотен вътрешен канал за въздух. Въздухът се изкарва в горната част на зоната на визьора, което увеличава антизамъгляващия ефект, след което се насочва към дихателната зона. R23CHFUVKIT е замислен за употреба на места, където има определен респираторен риск и потребителят се нуждае от защита за главата, лицето и очите. Индустриалната предпазна каска е замислена да защитава носещия от падащи предмети и последващи наранявания на мозъка. Защитата на лицето/очите е предназначена да предпазва от удар и летящи отломки.

Моля, отстранете защитното покритие от външната част на визьора преди употреба.

Инспектирайте визьора, да сте сигурни, че няма видима щета по него, по челния предпазител, покритието на главата, лицевата защита или маркуча.

Инспектирайте шлема, за да сте сигурни, че няма видима щета по каската, комплекта на визьора, покритието на главата, лицевата защита или маркуча.

Поставяне

Преди да поставите каската, свържете маркуча с каската и захранващия модул и поставете колана за кръста със скобата отпред.

Проверете дали въздухът излиза отпред на вътрешния канал за въздух в каската и регулирайте лентата за глава според нужното, за да постигнете удобна позиция върху главата.

Поставете каската и затегнете лентата за глава. Бележка: За качествена защита на главата тази каска трябва да става или да се регулира спрямо размера на главата на потребителя. Регулирайте каската посредством лентата за глава, която е в задната част на каската за сигурно и комфортно пасване. Тази каска е направена да поема енергията на удара чрез частично унищожаване или повреждане на корпуса и ремъка и въпреки че подобно увреждане може да не е видимо с просто око, всяка

каска, претърпяла силен удар, трябва да бъде заменена. Наклонете визьора надолу и изтеглете лицевото уплътнение под брадичката, за да си гарантирате добро прилепване по лицето.

Поддръжка

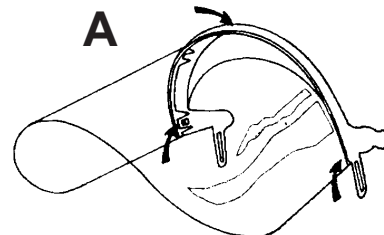
Преди употреба проверете дали всички части са работещи и невредими. Ако имате съмнения, свържете се с производителя.

Сменяйте покритията на визьора често, както и самият визьор, ако се надраска или повреди.

Другата рутинна поддръжка се ограничава до почистването на корпуса, маркуча и канала за въздух и смяната на лицевото уплътнение според нужното. Не променяйте и не премахвайте оригиналните компоненти на каската или други респираторни части, различни от тези, препоръчани от производителя. Не прилагайте боя, разтворители, адезиви или самоадезивни стикери.

Поставяне на нов визьор

За сваляне на стария визьор първо свалете бялото копче, което е в центъра на носача на визьора (A) и свалете визьора. За поставяне на новия визьор първо разположете отворите в двата края на преградата върху щифтовете върху носача на преградата. Леко притиснете предната част на преградата, за да я фиксирате. След това поставете обратно бялото копче, така че премине през носача на визьора и централния отвор на визьора.



024-001-911 Rev B ConceptAir 07/2019

Регламент за ЛПС (EI) 2016/425 или Директива за ЛПС 89/686/ЕИО: ЕС/ЕО (според приложимото) типов преглед от: BSI Group The Netherlands B.V., Say Building, John M. Keynesplein 9, 1066 EP, Амстердам, Нидерландия (Нотифициран орган № 2797) или BSI Assurance UK Ltd, Kitemark Court, Davy Avenue, Knowlhill, Milton Keynes MK5 8PP, Обединено кралство (Нотифициран орган № 0086) както е посочено на етикетата на продукта.

Centurion Safety Products Ltd

T: +44 (0) 1842 754266 | F: +44 (0) 1842 765590 | sales@centurionsafety.co.uk | 21 Howlett Way, Thetford, Norfolk, IP24 1HZ, England

centurionsafety.eu

Сваляне/смяна на уплътнението за глава/лице

Уплътнението за глава / лице се закрепва посредством велкро, за да го смените: -

1. С поставена върху равна повърхност каска разглобете комплекта на маркуча от канала за въздух като задържате здраво канала за въздух и усуквате обратно на часовника байонетния фитинг.
2. Свалете старото уплътнение за глава / лице от велкрото.
3. Закрепете велкрото на уплътнението за глава/лице към велкрото на каската, като започнете от централната точка и следвате контурите на каската, гарантирайки, че съединението е равно, плоско и без нагъвания.

Почистване

Избършете с влажен (не мокър) мек парцал, напоен с топла сапунена вода, за да почистите каската, маркуча и канала за въздух. Изсушете чрез избърсване с мек сух парцал. Не позволявайте вода да влиза в канала за въздух.

Трябва да се внимава за избягване на надраскаване. ПРЕДУПРЕЖДЕНИЕ: Не почиствайте с търговски разтворители или органични съставки.

Уплътнението за лице може да се мие при температура от 40°C с помощта на битов прах за пране.

R23FUVNKIT шлем с поликарбонатен визьор

R23FUVNKIT е повдигащ се визьор, който се захранва с въздух от монтиран на кръста захранващ модул чрез спирален подсилен PVC маркуч и олекотен вътрешен канал за въздух. Въздухът се изкарва в горната част на зоната на визьора, което увеличава антизамъгляващия ефект, след което се насочва към дихателната зона. **R23FUVNKIT** е замислен за употреба на места, където има определен респираторен риск и потребителят се нуждае от защита за лицето и очите. Защитата на лицето/очите е предназначена да предпазва от удар и летящи отломки.

Моля, отстранете защитното покритие от външната част на визьора преди употреба.

Инспектирайте визьора, да сте сигурни, че няма видима щета по него, по челния предпазител, покритието на главата, лицевата защита или маркуча.

Поставяне

Преди да поставите визьора, свържете маркуча с визьора и захранващия модул и поставете колана за кръста със скобата отпред.

Проверете дали въздухът идва от предната част на вътрешния канал за въздух. Поставете визьора и регулирайте скобата за стягане, за да постигнете удобно пасване с лентата за глава над ушите. Регулирайте лентата за глава до правилния размер със задното копче. Наклонете визьора надолу и изтеглете лицевото уплътнение под брадичката, за да си гарантирате добро прилепване по лицето. Изтеглете надолу покритието за глава, така че да се припокрие с ръбовете на челния предпазител по цялата си свързваща част с визьора. Подпъхнете уплътнението за глава под задния ръб на челния предпазител с въртящата се точка за постигане на колкото се може по-плътното прилягане между покритието на главата и лицевата защита.

Поставяне на нов визьор

Визьорът трябва да се смени когато се надраска или вдлъбне.

За сваляне на визьора първо отстранете трите предни копчета чрез избутването им отвътре навън.

След това притиснете визьора, за да отклоните страничните му части от челния предпазител и свалете.

За поставяне на нов визьор поставете отворите в двата края на визьора в челния предпазител.

Поставете преградата в отвора в челния предпазител и използвайте лек натиск в предната част на визьора, за да го отклоните върху централния щифт на носача, докато не се разположи в централния отвор на визьора.

Уверете се, че всички щифтове на носача са докрай влезли в отворите на визьора. Поставете обратно двете бели копчета отпред на челния предпазител през челния предпазител и визьора. Бележка: Покритието за глава, лицевото уплътнение, маркучът за въздух или каналът за въздух трябва да се сменят, ако са повредени.

Сваляне/смяна на покритието за глава/лицевото уплътнение

Уплътнението за глава / лице се закрепва посредством велкро, за да го смените: -

1. С поставена върху равна повърхност каска разглобете комплекта на маркуча от канала за въздух като задържате здраво канала за въздух и усуквате обратно на часовника байонетния фитинг.
2. Свалете старото уплътнение за глава / лице от велкрото.
3. Закрепете велкрото на уплътнението за глава/лице към велкрото на каската, като започнете от централната точка и следвате контурите на каската, гарантирайки, че съединението е равно, плоско и без нагъвания.

Сваляне/смяна на вътрешната лента/подложката за удобство на главата

Както вътрешната лента, така и подложката за удобство на главата могат да се сменят много лесно.

За смяна на вътрешната лента: -

1. Свалете 2 x ¼ болта от канала за въздух.
2. Свалете старата вътрешна лента.
3. Разположете 4 x отвора за смяна на вътрешната лента над 4 x задържащи издатъка за лентата за глава.
4. Разположете 2 x ¼ болта в канала за въздух и затегнете.
5. Навийте вътрешната лента над лентата за глава и разположете по издатъците.

Почистване

Избършете с влажен (не мокър) мек парцал, напоен с топла сапунена вода, за да почистите визьора, челния предпазител и маркуча. Изсушете чрез избърсване с мек сух парцал. Не позволявайте вода да влиза в канала за въздух. ПРЕДУПРЕЖДЕНИЕ: Не почиствайте с търговски разтворители или органични съставки. Уплътнението за лице и глава може да се мие при температура от 40°C с помощта на битов прах за пране.

R23AWH9/13KIT – Шлем с ADF каска за заваряване

R23AWH9/13KIT е каска с автоматично затъмняване при заваряване, която се захранва с въздух от монтиран на кръста захранващ модул през спирален подсилен PVC маркуч и олекотен вътрешен канал за въздух. **R23AWH9/13KIT** е замислен за употреба на места, където има определен респираторен риск и потребителят се нуждае от защита за лицето и очите. Каската за заваряване е замислена да защитава от UV/IR, слаб удар с частици и искри при заваряване.

Каската за заваряване е снабдена с филтър за автоматично затъмняване при заваряване (ADF). Филтърът е прозрачен преди заваряването, така че операторите да могат ясно да наблюдават работната повърхност. Когато има електрическа дъга, филтърът автоматично затъмнява след ок. 0,08 мсек. Когато дъгата угасне, филтърът става прозрачен отново. Операторът може да настройва времето на превключване от тъмно към светло в рамките на 0,1-0,9 секунди. Каската за заваряване е снабдена с модул за непрекъснато регулиране на тъмнината, така че операторът да може да избира произволен номер на нюанс на тъмното от 5 до 13.

024-001-911 Rev B ConceptAir 07/2019

Регламент за ЛПС (E1) 2016/425 или Директива за ЛПС 89/686/ЕО: ЕС/ЕО (според приложимото) типов преглед от: BSI Group The Netherlands B.V., Say Building, John M. Keynesplein 9, 1066 EP, Амстердам, Нидерландия (Нотифициран орган № 2797) или BSI Assurance UK Ltd, Kitemark Court, Davy Avenue, Knowlhill, Milton Keynes MK5 8PP, Обединено кралство (Нотифициран орган № 0086) както е посочено на етикетата на продукта.

Centurion Safety Products Ltd

T: +44 (0) 1842 754266 | F: +44 (0) 1842 765590 | sales@centurionsafety.co.uk | 21 Howlett Way, Thetford, Norfolk, IP24 1HZ, England

centurionsafety.eu



Каската за заваряване дава на операторите перманентна пълна защита до DIN15 срещу UV/IR дори и при прозрачни условия. Мощността се осигурява от соларни клетки и сменяема батерия. ADF е снабден с 4 комплекта фотосензори за следене на дъговата светлина. В допълнение маската също така е снабдена с външна защитна пластина, направена от високополимерни материали. Пластината е износостойчива, термостабилна и издържа на пръски, предлагайки дълъг експлоатационен живот.

Свалете защитния капак от външната страна на лещата за пръски и вътрешната страна на ADF преди първоначалната употреба.

Инспектирайте комплекта на каската за заваряване, за да сте сигурни, че няма видима щета по каската, комплекта на визьора, покритието на главата, лицевата защита или маркуча.

ПРЕДУПРЕЖДЕНИЕ

Прочетете и разберете всички инструкции преди употреба.

- Уверете се, че тъмният нюанс на лещата в каската за заваряване е правилният номер нюанс за вашето приложение.
- Тези каски и лещи не са подходящи за заваряване «над нивото на главата», лазерно заваряване или лазерно рязане.
- Каските за заваряване са проектирани за защита на очите и лицето от искри, пръски и вредно излъчване при нормални условия на заваряване.
- Тази каска няма да защитава от експлозивни устройства или корозивни течности. Машинни прегради или защита от пръски за очи трябва да се използват при наличие на такива рискове.
- Избягвайте работни позиции, които могат да изложат незащитените зони на тялото на искри, пръски, директно и/или отразено лъчение. Използвайте адекватна защита, ако излагането не може да се избегне.
- Проверявайте за лека стегнатост преди всяка употреба. Преди всяка употреба проверявайте дали защитните пластини са чисти и дали няма мръсотия, покриваща сензорите пред лещата.
- Инспектирайте всички работни части преди всяка употреба за признаци на износване или повреда. Всякакви надраски, напукани или вдлъбнати части трябва да се заменят незабавно.
- Не извършвайте модификации по лещата за заваряване или каската, различни от посочените в този наръчник. Не използвайте резервни части, различни от тези, посочени в този наръчник, неотризираните модификации и резервни части ще доведат до анулиране на гаранцията и излагане на потребителя на риск от персонално нараняване.
- Ако тази леща не затъмнява при електрическа дъга, спрете заваряването незабавно.
- Не използвайте разтворители върху компоненти на лещата или каската.
- Препоръчителният работен диапазон за лещата за заваряване е -10 °C-65 °C (14 °F-149 °F). Не използвайте това устройство отвъд тези температурни граници.

Поставяне

Преди да поставите каската за заваряване, свържете маркуча с визьора и захранващия модул и поставете колана за кръста със скобата отпред. Проверете дали въздухът идва от предната част на вътрешния канал за въздух. Уверете се, че сензорите върху ADF са чисти и незамърсени. Уверете се, че ADF държачът е плътно поставен и фиксаторът върху ADF е затворен.

Поставете каската за заваряване и регулирайте скобата за стягане, за да постигнете удобно пасване с лентата за глава над ушите. Регулирайте лентата за глава до правилния размер със задното копче. Наклонете каската за заваряване надолу и изтеглете лицевото уплътнение под брадичката, за да си гарантирате добро прилепване по лицето. **Затягане на шнура.**

За оптимална видимост ъгълът на лентата за глава вътре в каската за заваряване може да се регулира.

Сваляне/смяна на уплътнението за глава/лице

Уплътнението за глава / лице е фиксирано към каската за заваряване посредством велкро лента, за смяна извършете следното: -

1. С поставена върху равна повърхност каска разглобете комплекта на маркуча от канала за въздух като задържате здраво канала за въздух и усуквате обратно на часовника байонетния фитинг.
2. Свалете старото уплътнение за глава / лице от велкрото.
3. Закрепете велкрото на уплътнението за глава/лице към велкрото на каската, като започнете от централната точка и следвате контурите на каската, гарантирайки, че съединението е равно, плоско и без нагъвания.

Сваляне/смяна на вътрешната лента/подложката за удобство на главата

Както вътрешната лента, така и подложката за удобство на главата могат да се сменят много лесно.

За смяна на вътрешната лента: -

1. Свалете 2 x ¼ болта от канала за въздух.
2. Свалете старата вътрешна лента.
3. Разположете 4 x отвора за смяна на вътрешната лента над 4 x задържащи издатъка за лентата за глава.
4. Разположете 2 x ¼ болта в канала за въздух и затегнете.
5. Навийте вътрешната лента над лентата за глава и разположете по издатъците.

За смяна на подложката за удобство на глава: -

1. Свалете старата подложка за удобство, почистете велкро повърхността от остатъчна мръсотия.
2. Поставете новата подложка, разположете централно върху лентата за глава и притиснете на място здраво велкрото.

Почистване

Избършете с влажен (не мокър) мек парцал, напоен с топла сапунена вода, за да почистите каската за заваряване, лицевото уплътнение и маркуча. Внимавайте при почистване на външната/вътрешната лещи, тъй като могат да се надраскат. Изсушете чрез избърсване с мек сух парцал и оставете да изсъхне на въздух. **не позволявайте вода да влиза в канала за въздух. ПРЕДУПРЕЖДЕНИЕ: Не почиствайте с търговски разтворители или органични съставки.**

024-001-911 Rev B ConceptAir 07/2019

Регламент за ЛПС (EI) 2016/425 или Директива за ЛПС 89/686/ЕИО: ЕС/ЕО (според приложимото) типов преглед от: BSI Group The Netherlands B.V., Say Building, John M. Keynesplein 9, 1066 EP, Амстердам, Нидерландия (Нотифициран орган № 2797) или BSI Assurance UK Ltd, Kitemark Court, Davy Avenue, Knowlhill, Milton Keynes MK5 8PP, Обединено кралство (Нотифициран орган № 0086) както е посочено на етикетата на продукта.

Centurion Safety Products Ltd

T: +44 (0) 1842 754266 | F: +44 (0) 1842 765590 | sales@centurionsafety.co.uk | 21 Howlett Way, Thetford, Norfolk, IP24 1HZ, England

centurionsafety.eu



**Обяснение на маркировките за одобрение:**

XA-1021	Име на ADF модела
CSS	Маркировка на производителя
4/5-9/9-13	Налични диапазони на нюанс (вж. таблицата с препоръчителните номера на нюанс за приложенията)
1/1/1/1/379	Обяснение на ADF сертифицирането 1 = оптичен клас 1 = клас на разсеяна светлина 1 = клас на хомогенност 1 = клас на зависимост от ъгъла 379 = EN 379 стандарт

За смяна на ADF лещата просто преместете превключвателя отдолу на позиция отключено и бавно изтеглете от каската. Батерията и външния превключвател трябва да се свалят чрез внимателно избутване навън на задържащия клипс в горната част, освобождавайки локализиращия отвор в долната част на батерията.

Настройка заваряване/шлайфване

В зависимост от това дали бихте искали да заварявате или шлайфате, поставете превключвателя за режим на заваряване/шлайфване на съответната позиция.

Настройка на нюанс

В режим на заваряване изберете нюанса в съответствие с EN 379 (вж. таблицата по-долу).

За настройка на светлочувствителността/забавянето:

- Настройте контролния циферблат за светлочувствителност на позиция HI (максимална светлочувствителност).
- Бавно завъртете контролния циферблат за чувствителност към светлина обратно на часовника докато ADF вече не се затъмнява. Настройката LO е подходяща за високоамперно заваряване и заваряване при светли условия. Настройката HI е подходяща за нискоамперно заваряване, лоши условия на осветление и TIG заваряване. Ние препоръчваме да използвате по-висока настройка за чувствителност с този ADF.
- Настройте забавянето от тъмно към светло (0,1 сек MIN до 0,9 сек MAX) според нужното. Настройката MIN е идеална за прихващащо заваряване или производствено заваряване с къси спойки. Настройката MAX е идеална за високоамперно заваряване, където има тлеене от заваряването.

Електрозахранване

Електрозахранването за R23AWH 9/13 ADF се осигурява от соларни клетки и една сменяема CR2450 литиева батерия. Включването или изключването на ADF се контролира автоматично.

Предупредителна лампичка за слаба батерия

Предупредителната лампичка за слаба батерия ще мига когато батерията е изтощена.

Лампичка за шлайфване

Лампичката за шлайфване ще мига когато се използва функцията за шлайфване.

ПРЕДУПРЕЖДЕНИЕ: За избягване на вреда по очите не извършвайте заваряване докато сте в режим на шлайфване

Препоръчителни номера на нюанси

процедура по заваряване	Електрически ток (A)																								
	1.5	6	10	15	30	40	60	70	100	125	150	175	200	225	250	300	350	400	450	500	600				
MMAW (покрити електроди)	8				9			10			11			12			13			14					
MMAW	8				9			10			11			12			13			14					
TIG	8			9			10			11			12			13									
MIG								9			10			11			12			13			14		
MIG заваряване на леки метали										10			11			12			13			14			
Въздушно дъгово рязане	10										11			12			13			14			15		
Рязане със струя плазма									9		10		11		12			13							
Микроплазмено заваряване	4		5		6		7		8		9		10		11		12								
	1.5	6	10	15	30	40	60	70	100	125	150	175	200	225	250	300	350	400	450	500	600				

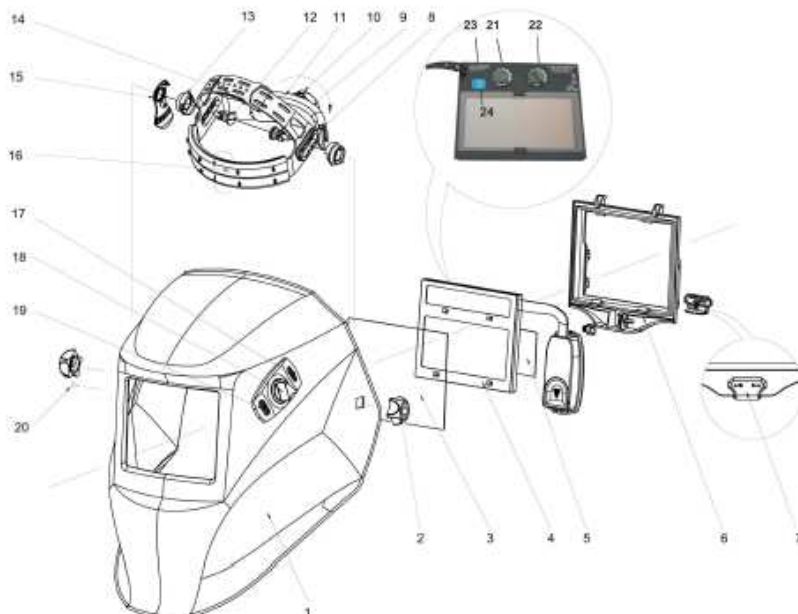
024-001-911 Rev B ConceptAir 07/2019

Регламент за ЛПС (EI) 2016/425 или Директива за ЛПС 89/686/ЕИО: ЕС/ЕО (според приложимото) типов преглед от: BSI Group The Netherlands B.V., Say Building, John M. Keynesplein 9, 1066 EP, Амстердам, Нидерландия (Нотифициран орган № 2797) или BSI Assurance UK Ltd, Kitemark Court, Davy Avenue, Knowlhill, Milton Keynes MK5 8PP, Обединено кралство (Нотифициран орган № 0086) както е посочено на етикетата на продукта.

Centurion Safety Products Ltd

T: +44 (0) 1842 754266 | F: +44 (0) 1842 765590 | sales@centurionsafety.co.uk | 21 Howlett Way, Thetford, Norfolk, IP24 1HZ, England

centurionsafety.eu



- | | | |
|------------------------------------|---|--|
| 1. Корпус на каската | 9. Винт на каската (с 3 отвора) | 17. Бутон за избор на диапазон на засенчване |
| 2. Блокираща гайка | 10. Копче за регулиране на стегнатостта на лентата за глава | 18. Копче за регулиране на номера на нюанса |
| 3. Външна защитна пластина | 11. Конектор на каската | 19. Копче за превключване между заваряване и шлайфване |
| 4. Автоматичен филтър | 12. Винт на каската (дълъг отдясно) | 20. Точка за позициониране на сегментната пластина |
| 5. Вътрешна защитна пластина | 13. Блокираща шайба (отдясно) | 21. Копче за чувствителност |
| 6. Рамка | 14. Бутони за регулиране на лентата за глава | 22. Копче за забавяне |
| 7. Заклучване на ADF рамка | 15. Сегментна позиционна пластина (отдясно) | 23. Предупредителна лампичка за слаба батерия |
| 8. Плъзгач на каската (с 3 отвора) | 16. Вътрешна лента M23SBWH | 24. Лампичка за шлайфване |

Основни компоненти

Описание	Код
Резервен шлем с каска/визьор	R23CHFUV
Резервен шлем с визьор	R23FUVN
Резервен шлем с каска за заваряване	R23AWH9/13
Резервна ADF заваряваща леща	R23ADFH9/13
Резервен филтър за заваръчни пръски (10)	R23OLCH
Резервен вътрешен капак за заваряващата леща (10)	R23ILCH
Робоп покритие на маркуча	R23PHS
Покрития на визьора (шлемове с каска/визьор и с визьор) (50)	R23VC50N
Вътрешни ленти за еднократна употреба (визьор) (10)	R23SB
Вътрешна лента + 2 болта (визьор за заваряване)	R23SBAWH
Резервно лицево уплътнение (каска/визьор)	R23CHFUVF/PN
Резервно лицево уплътнение (визьор)	R23FN
Резервно лицево уплътнение (заваряваща каска)	R23CAWF
Резервен поликарбонатен визьор за шлем с каска/визьор	R23CHFUVVP
Резервен поликарбонатен визьор с велкро за шлем с визьор	R23VN
Резервен комплект на маркуча (0,85м)	R23HAHD
Комплект на маркуча (1м усилен)	R23HAHDL

Обяснение на одобренията за предпазни каски и визьори

Предпазната каска е сертифицирана според следните стандарти:

EN 397	PM	Защита от пръски разтопен метал
	-40 °C	Защита от удар при ниски температури
	LD	Защита от странична деформация
	440V а.с.	Подходящо за употреба при рискове от електрическо напрежение до 440V а.с.
	1000V а.с.	Подходящо за употреба при рискове от електрическо напрежение до 1000V а.с. (EN 50365)

024-001-911 Rev B ConceptAir 07/2019

Регламент за ЛПС (Ei) 2016/425 или Директива за ЛПС 89/686/ЕИО: ЕС/ЕО (според приложимото) типов преглед от: BSI Group The Netherlands B.V., Say Building, John M. Keynesplein 9, 1066 EP, Амстердам, Нидерландия (Нотифициран орган № 2797) или BSI Assurance UK Ltd, Kitemark Court, Davy Avenue, Knowhill, Milton Keynes MK5 8PP, Обединено кралство (Нотифициран орган № 0086) както е посочено на етикетата на продукта.

Centurion Safety Products Ltd
T: +44 (0) 1842 754266 | F: +44 (0) 1842 765590 | sales@centurionsafety.co.uk | 21 Howlett Way, Thetford, Norfolk, IP24 1HZ, England

centurionsafety.eu

Визьорите върху шлемове с каска/визьор и шлемове с визьор са сертифицирани според следните стандарти:

EN 166

1	Най-висок оптичен клас
B	Защита от удар (120 м/сек)
3	Защита от пръски течност
9	Защита от пръски разтопен метал

Съхранение (всички шлемове)

Всички шлемове трябва да се съхраняват в суха и чиста атмосфера в температурен диапазон от -5 °C до +55 °C при RH<90% в оригиналната си опаковка. Идеалните условия на съхранение са 5°C до 35°C отн. вл. < 60%. Транспортирайте в оригиналната опаковка. Ако се съхранява при правилни условия, продуктът има 5-годишен период на съхранение.

Гаранция

Всички модули за глава ConceptAir са гарантирано свободни от дефекти по материалите или изработката. Ако такива дефекти се развият в рамките на 12 месеца от закупуването, то Centurion Safety Products Ltd по свое усмотрение ще ремонтира или смени шлема без заплащане.

WEEE



WEEE (Отнася се САМО до захранващия модул, батерията и зарядното)

ТЕЗИ ПРОДУКТИ НЕ ТРЯБВА ДА СЕ ИЗХВЪРЛЯТ КАТО ОБИКНОВЕНИ ОТПАДЪЦИ

- Символът със зачеркнато кошче за боклук, с непрекъсната преграда, показан върху този продукт, опаковката или инструкциите му указва, че продуктът е обект на Директива на Европейската общност 2002/96/ЕО относно правилното изхвърляне на остаряло електронно и електрическо оборудване (WEEE).
- WEEE не може да се изхвърля като обикновен отпадък, а трябва да се събира и изхвърля разделно. Подходящи обществени или частни системи за събиране на отпадъци, дефинирани от националните и локалните разпоредби, трябва да се използват.
- Продуктът може да съдържа субстанции, които могат да увредят околната среда или човешкото здраве, ако се изхвърлят неправилно.

За допълнителна информация или за декларация за съответствие на ЕС/ЕО (според случая), моля, посетете нашия уебсайт centurionsafety.eu

024-001-911 Rev B ConceptAir 07/2019

Регламент за ЛПС (ЕИ) 2016/425 или Директива за ЛПС 89/686/ЕИО: ЕС/ЕО (според приложимото) типов преглед от: BSI Group The Netherlands B.V., Say Building, John M. Keynesplein 9, 1066 EP, Амстердам, Нидерландия (Нотифициран орган № 2797) или BSI Assurance UK Ltd, Kitemark Court, Davy Avenue, Knowlhill, Milton Keynes MK5 8PP, Обединено кралство (Нотифициран орган № 0086) както е посочено на етикета на продукта.

Centurion Safety Products Ltd

T: +44 (0) 1842 754266 | F: +44 (0) 1842 765590 | sales@centurionsafety.co.uk | 21 Howlett Way, Thetford, Norfolk, IP24 1HZ, England

centurionsafety.eu



Před použitím kukly je důležité si pozorně přečíst tyto instrukce a instrukce dodané společně s napájecí jednotkou.

Níže uvedená tabulka zobrazuje systémy ConceptAir, které prošly certifikací a příslušnými testy.

Číslo prvku	Popis	Certifikace respirační ochrany	Ochranný respirační faktor NPF/APF	Certifikace ochrany hlavy/očí
R23CHFUVKIT	Štít kukly se systémem PAPP	EN 12941:1998+A2:2008 TH2P	NPF 50	EN 397 & EN 166
R23FUVNKIT	Štít se systémem PAPP	EN 12941:1998+A2:2008 TH2P	NPF 50	EN 166
R23AWH9/13KIT	Svářečská kukla se systémem PAPP	EN 12941:1998+A2:2008 TH2P	NPF 50	EN 166 & EN 175

Jmenovitý ochranný faktor (NPF) je odvozen od laboratorních testů prováděných v rámci EN12941. Pro informace ohledně specifického ochranného faktoru si vyhledejte normu EN529 ve znění platném pro danou zemi.

VAROVÁNÍ

- Respirační ochrana bude zaručena v náležitém rozsahu, pouze je-li ochranná pomůcka hlavy správně nasazena a vhodně udržována.
- Je-li štít umístěn do horní polohy, není zajišťována žádná respirační ochrana.
- Respirační ochrana poskytovaná štíty a kuklami může být nižší při výskytu větru s vysokou rychlostí.
- Je-li napájecí jednotka vypnutá nebo nefunkční, což není příliš pravděpodobné, není zajištěna žádná, nebo pouze velice nízká respirační ochrana.
- Ve vypnutém stavu může dojít k rychlému hromadění oxidu uhličitého a k vyčerpání kyslíku.
- Je nezbytně nutné, aby celá sestava a nasazování jakéhokoliv ochranného prvku probíhalo v prostředí s čistým vzduchem.
- Osoba používající tuto kuklu by měla před jejím sejmutím opustit znečištěnou oblast a odstranit veškeré nečistoty ze svého těla a oblečení.

R23CHFUVKIT – Ochranná přilba s polykarbonátovým štítem

R23CHFUVKIT je přilba s vyklápěcím štítem s přívodem vzduchu z napájecí jednotky nasazené kolem pasu, prostřednictvím spirálovité vyztužené hadice z PVC a odlehčeného vnitřního vzduchového kanálu. Vzduch je vhnán do horní oblasti štítu tak, aby minimalizoval jeho zamlžení, a poté je směřován do dýchací zóny. **R23CHFUVKIT** je určena pro použití v oblastech představujících definované respirační riziko, ve kterých uživatel potřebuje ochranu hlavy, obličeje a očí. Průmyslová bezpečnostní přilba je určena pro ochranu uživatele před padajícími předměty a případným poškozením mozku. Tento systém ochrany obličeje/očí je určen pro ochranu uživatele proti nárazu a odlétávajícím úlomkům.

Před použitím prosím sejměte ochranu z vnější strany štítu.

Prohlédněte štít a zkontrolujte, zda neobsahuje viditelná poškození na štítu, ochraně očí, krytu hlavy, izolaci obličeje nebo na hadici.

Prohlédněte kuklu a zkontrolujte, zda neobsahuje viditelná poškození na přilbě, sestavě štítu, ochraně očí, krytu hlavy, izolaci obličeje nebo na hadici.

Nasazení

Před nasazením přilby připojte k přilbě hadici a napájecí jednotku a nasadte si pás tak, aby byla jeho spona vepředu.

Zkontrolujte, že vzduch vychází ven přední částí vnitřního vzduchového kanálu uvnitř přilby a upravte hlavové pásy dle instrukcí pro pohodlné umístění pásů na hlavu.

Nasadte si přilbu a utáhněte hlavový pás. Poznámka: Pro přiměřenou ochranu hlavy musí být tato přilba nastavena nebo přizpůsobena velikosti hlavy uživatele. Pro bezpečnou a pohodlnou funkci upravte přilbu pomocí hlavového pásu na zadní straně přilby. Tato přilba je vyrobena tak, aby absorbovala energii nárazu částečnou destrukcí nebo poškozením skořepiny a popruhů nebo ochranné výplně, a i když nemusí být toto poškození okamžitě viditelné, musí být každá přilba po těžkém nárazu vyměněna. Sklopte štít dolů a stáhněte obličejový úchyt pod bradu pro pohodlné přilnutí kolem celého obličeje.

Údržba

Před použitím zkontrolujte, zda jsou všechny části funkční a nepoškozené. V případě jakýchkoli pochybností kontaktujte výrobce.

Kryty štítu pravidelně vyměňujte, štít pak, kdykoli dojde k jeho poškrábání nebo poškození.

V rámci další rutinní údržby provádějte čištění pláště, hadice a vzduchového kanálu a v případě nutnosti vyměňte také obličejový úchyt. Neupravujte a neodstraňujte žádné originální součásti přilby nebo jiné respirační části, které k tomu nejsou doporučeny výrobcem. Nepoužívejte barvy, rozpouštědla, lepidla nebo samolepicí štítky.

Nasazení nového štítu

Pro sejmutí starého štítu nejdříve odstraňte bílý čep umístěný uprostřed lemu štítu (A) a štít sejměte. Pro nasazení nového štítu nejdříve umístěte otvory na obou stranách clony na kolíky v lemu štítu. Mírným tlakem na přední stranu clony ji zatlačte na své místo. Poté znovu umístěte zpět bílý čep tak, aby procházel jak lemem štítu, tak středovým otvorem štítu.

Sejmutí/výměna hlavového/obličejového úchytu

Hlavový/obličejový úchyt je upevněn suchým zipem. Pro jeho výměnu: -

1. Umístěte přilbu na rovnou plochu, pevně uchopte vzduchový kanál a odepněte sestavu hadic od vzduchového kanálu otáčením bajonetové spojky pro směr hodinových ručiček.
2. Odepněte starý hlavový/obličejový úchyt od suchého zipu.
3. Připevněte suchý zip hlavového/obličejového úchytu k suchému zipu přilby, přičemž začněte zprostředk podél obrysů přilby tak, abyste zajistili, že spoj bude plochý, rovnoměrný a bez ohybů.

Čištění

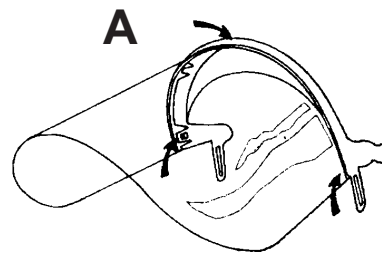
Přilbu, hadici a vzduchový kanál čistěte navlhčeným (ne mokrým) měkkým hadříkem v teplé mýdlové vodě. Vysušte třením o měkkou suchou textilii. **Do vzduchového kanálu nesmí vniknout voda.**

Dbejte na to, abyste je nepoškrábali. **VAROVÁNÍ: Nečistěte pomocí volně prodejných rozpouštědel nebo organických směsí.**

Obličejový úchyt lze prát na 40 °C běžným pracím práškem.

024-001-911 Rev B ConceptAir 07/2019

Nářízení PPE (EU) 2016/425 nebo směrnice PPE 89/686/EHS: Typová zkouška EU/ES (podle konkrétního případu): BSI Group The Netherlands B.V., Say Building, John M. Keynesplein 9, 1066 EP, Amsterdam, Nizozemsko (oznažený subjekt č. 2797) nebo BSI Assurance UK Ltd, Kitemark Court, Davy Avenue, Knowlhill, Milton Keynes MK5 8PP, Spojené království (oznažený subjekt č. 0086) podle údajů na výrobním štítku.



R23FUVNKIT Kukla s polykarbonátovým štítem

R23FUVNKIT je vyklápěcí štít s přívodem vzduchu z napájecí jednotky nasazené kolem pasu, prostřednictvím spirálovitě vyztužené hadice z PVC a odlehčeného vnitřního vzduchového kanálu. Vzduch je vhněn do horní oblasti štítu tak, aby minimalizoval jeho zamlžení, a poté je směřován do dýchací zóny. **R23FUVNKIT** je určena pro použití v oblastech představujících definované respirační riziko, ve kterých uživatel potřebuje ochranu obličeje a očí. Tento systém ochrany obličeje/očí je určen pro ochranu uživatele proti nárazu a odlétávajícím úlomkům.

Před použitím prosím sejměte ochranu z vnější strany štítu.

Prohlédněte štít a zkontrolujte, zda neobsahuje viditelná poškození na štítu, ochraně očí, krytu hlavy, izolaci obličeje nebo na hadici.

Nasazení

Před nasazením štítu připojte ke štítu hadici a napájecí jednotku a nasadte si pás tak, aby byla jeho spona vepředu.

Zkontrolujte, že vzduch vychází ven přední částí vnitřního vzduchového kanálu. Nasadte štít a upravte korunku pásku tak, aby hlavový pás pohodlně seděl nad ušima. Upravte hlavové pásky pro seřízení velikosti pomocí zadního ozubeného knoflíku. Sklopte štít dolů a stáhněte obličejový úchyt pod bradu pro pohodlné přilnutí kolem celého obličeje. Stáhněte kryt hlavy tak, aby zakrýval okraje chrániče očí po délce spoje se štítem. Zastrčte utěsnění hlavy pod zadní okraj ochrany očí otočným bodem pro dosažení co nejtěsnějšího dolehnutí krytu hlavy a ochrany obličeje.

Nasazení nového štítu

Štít by měl být vyměněn, jakmile dojde k jeho poškrábání nebo vyboulení.

Pro sejmутí štítu nejdříve odstraňte tři přední čepy jejich vytlačení zevnitř ven.

Poté tlakem na štít ohněte strany mimo chránič očí a celý štít vyjměte.

Pro nasazení nového štítu umístěte otvory na oba konce nového štítu na chrániči očí.

Umístěte štít do drážky uvnitř chrániče očí a mírným tlakem na přední část štítu jej přehněte přes prostřední upevňovací kolík, dokud se neumístí do prostředního otvoru štítu. Zkontrolujte, zda jsou všechny upevňovací kolíky plně umístěny v otvorech štítu. Nasadte dva bílé čepy na přední stranu chrániče očí skrz chránič a štít.

Poznámka: Kryt hlavy, izolace obličeje, vzduchová hadice nebo vzduchový kanál by měly být v případě poškození vyměněny.

Sejmутí/výměna hlavového/obličejového úchyty

Hlavový/obličejový úchyt je upevněn suchým zipem. Pro jeho výměnu: -

1. Umístěte přilbu na rovnou plochu, pevně uchopte vzduchový kanál a odepněte sestavu hadic od vzduchového kanálu otáčením bajonetové objímky proti směru hodinových ručiček.
2. Odepněte starý hlavový/obličejový úchyt od suchého zipu.
3. Připevňte suchý zip hlavového/obličejového úchyty k suchému zipu přilby, přičemž začněte zprostřed podél obrysů přilby tak, abyste zajistili, že spoj bude plochý, rovnoměrný a bez ohybů.

Sejmутí/výměna potní pásky / hlavové vycpávky

Jak potní pásku, tak vycpávku hlavy lze vyměnit velice snadno.

Výměna potní pásky: -

1. Sejměte 2 x ¼ otáčkové šrouby ze vzduchového kanálu.
2. Sejměte starou potní pásku.
3. Umístěte 4 x otvory nové potní pásky na 4 x přichytná oka hlavové vycpávky.
4. Umístěte 2 x ¼ otáčkové šrouby do vzduchového kanálu a zajistěte.
5. Ohněte potní pásku nebo hlavovou vycpávku a nasadte je na oka.

Čištění

Štít, ochranu očí a hadici čistěte navlhčeným (ne mokřým) měkkým hadříkem v teplé mýdlové vodě. Vysušte třením o měkkou suchou textilii. **Do vzduchového kanálu nesmí vniknout voda. VAROVÁNÍ: Nečistěte pomocí volně prodejných rozpouštědel nebo organických směsí.** Obličejový a hlavový úchyt lze prát na 40 °C běžným pracím práškem.

R23AWH9/13KIT – ADF Svářečská ochranná kukla

R23AWH9/13KIT je samostmívací svářečská ochranná kukla s přívodem vzduchu z napájecí jednotky nasazené kolem pasu, prostřednictvím spirálovitě vyztužené hadice z PVC a odlehčeného vnitřního vzduchového kanálu. **R23AWH9/13KIT** je určena pro použití v oblastech představujících definované respirační riziko, ve kterých uživatel potřebuje ochranu obličeje a očí. Svářečská kukla zajišťuje ochranu proti UV/IR, nízkodopadovým částicím a jiskrám vznikajícím během sváření. Svářečská kukla je vybavena samostmívacím svářečským filtrem (ADF). Filtr je před svářením průhledný, takže pracovníci mohou sledovat pracovní povrch jasně. Při vzniku oslňujícího oblouku filtr automaticky ztmavne za cca 0,08 ms. Jakmile oblouk pohasne, filtr bude opět průhledný. Čas přepnutí mezi tmavým a světlým stavem filtru lze nastavit na 0,1 – 0,9 sekund. Svářečská kukla je vybavena regulační jednotkou, která průběžně upravuje tmavost filtru, a operátor může zadat číslo rozsahu tmavosti 5 – 13.

Svářečská kukla poskytuje pracovníkům obsluhy permanentní kompletní ochranu až do DIN15 proti UV/IR i v nejsvětlejším – průhledném stavu. Pohon je poskytován solárními články a vyměnitelnou baterií. ADF je vybaven 4 sadami fotočidel snímajících světlo oblouku. Kromě toho je maska opatřena deskou vnější ochrany vyrobenou z vysokých polymerů. Deska je odolná proti opotřebení, termostabilní, je opatřena ochranou proti rozstříknutí (anti-splatter) a poskytuje dlouhou životnost.

Před prvním použitím sejměte ochranný kryt z vnější strany ochranných sklíček a z vnitřní strany ADF.

Prohlédněte sestavu kukly a přilby a zkontrolujte, zda neobsahuje viditelná poškození na přilbě, sklíčkách, sestavě štítu, ochraně očí, krytu hlavy, izolaci obličeje nebo na hadici.

VAROVÁNÍ

Před použitím si pozorně prostudujte všechny instrukce.

- Zkontrolujte, zda tmavost sklíček ve svářečské kukle odpovídá tmavosti vyžadované vaší činností.
- Tato kukla a sklíčka nejsou vhodné pro svářečské práce prováděné nad výškou hlavy, pro laserové sváření či pro laserové řezání.
- Svářečské kukly jsou určeny k ochraně očí a obličeje před jiskrami, rozstříky a před škodlivou radiací vznikající za běžných svářečských podmínek.
- Tato kukla nezajišťuje ochranu před explozivními zařízeními nebo korozivními kapalinami. V případě přítomnosti těchto rizik musí být použity ochranné prvky stroje nebo ochrana očí proti stříkání.
- Zamezte pracovním pozicím, které by mohly vystavit nechráněné části těla jiskrám, ostřikům a přímé a/nebo odražené radiaci. Nelze-li expozici zamezit, noste vhodné ochranné pomůcky.

024-001-911 Rev B ConceptAir 07/2019

Nariadení PPE (EU) 2016/425 nebo směrnice PPE 89/686/EHS: Typová zkouška EU/ES (podle konkrétního případu): BSI Group The Netherlands B.V., Say Building, John M. Keynesplein 9, 1066 EP, Amsterdam, Nizozemsko (oznámený subjekt č. 2797) nebo BSI Assurance UK Ltd, Kitemark Court, Davy Avenue, Knowlhill, Milton Keynes MK5 8PP, Spojené království (oznámený subjekt č. 0086) podle údajů na výrobním štítku.

Centurion Safety Products Ltd

T: +44 (0) 1842 754266 | F: +44 (0) 1842 765590 | sales@centurionsafety.co.uk | 21 Howlett Way, Thetford, Norfolk, IP24 1HZ, England

centurionsafety.eu



- Před každým použitím zkontrolujte nepropustnost světla. Před každým použitím zkontrolujte, zda jsou ochranné desky čisté a zda čidla na přední straně sklíček nezakrývá nečistota.
- Všechny používané díly před každým použitím zkontrolujte, zda neobsahují stopy opotřebení či poškození. V případě jakýchkoli škrábanců, prasklin nebo vypouklín by měly být okamžitě vyměněny.
- Neprovádějte úpravy jak na jiných svářečských sklíčkách kukly, než na těch, která byla specifikována v této příručce. Nevyměňujte žádné jiné části, než ty, které jsou uvedeny v této příručce. Neoprávněné úpravy a výměna dílů ruší platnost záruky a vystavují uživatele riziku poranění.
- Pokud sklíčka při svařování netmavnou, okamžitě se svařováním přestaňte.
- Na veškerá sklíčka ani jiné části kukly nepoužívejte žádná rozpouštědla.
- Doporučená teplota sklíček při svařování je -10 °C – 65 °C (14 °F – 149 °F). Zařízení mimo tyto teplotní limity nepoužívejte.

Nasazení

Před nasazením svářečské kukly připojte ke štítu hadici a napájecí jednotku a nasadte si pás tak, aby byla jeho spona vpředu. Zkontrolujte, že vzduch vychází ven přední částí vnitřního vzduchového kanálu. Zajistěte, aby čidla na ADF byla čistá a nezakrytá. Zkontrolujte, zda je držák ADF nasazen pevně a zda je spojovací uzávěr na ADF zavřený.

Nasadte svářečskou kuklu a upravte korunku pásku tak, aby hlavový pás pohodlně seděl nad ušima. Upravte hlavové pásy pro seřízení velikosti pomocí zadního ozubeného knoflíku. Sklopte svářečskou kuklu dolů a stáhněte obličejový úchyt pod bradu pro pohodlné přilnutí kolem celého obličeje. **Utahení průvleku.**

Pro optimální vidění lze upravit úhel hlavového pásu uvnitř svářečské kukly.

Sejmutí/výměna hlavového/obličejového úchytu

Hlavový/obličejový úchyt je upevněn ke svářečské kukle suchým zipem. Pro jeho výměnu: -

1. Umístěte přílbu na rovnou plochu, pevně uchopte vzduchový kanál a odepněte sestavu hadic od vzduchového kanálu otáčením bajonetové objímky proti směru hodinových ručiček.
2. Odepněte starý hlavový/obličejový úchyt od suchého zipu.
3. Připevněte suchý zip hlavového/obličejového úchytu k suchému zipu přílby, přičemž začněte zprostřed podél obrysů přílby tak, abyste zajistili, že spoj bude plochý, rovnoměrný a bez ohybů.

Sejmutí/výměna potní pásky/hlavové vycpávky

Jak potní pásku, tak vycpávku hlavy lze vyměnit velice snadno.

Výměna potní pásky: -

1. Sejměte 2 x ¼ otáčky šrouby ze vzduchového kanálu.
2. Sejměte starou potní pásku.
3. Umístěte 4 x otvory nové potní pásky na 4 x přichytná oka hlavové vycpávky.
4. Umístěte 2 x ¼ otáčkové šrouby do vzduchového kanálu a zajistěte.
5. Ohněte potní pásku nebo hlavovou vycpávku a nasadte je na oka.

Výměna hlavové vycpávky: -

1. Sejměte starou hlavovou vycpávku, vyčistěte povrch suchého zipu od veškerých zbytkových nečistot.
2. Nasadte novou hlavovou vycpávku, vystředte ji na hlavovém pásu a pevně zatlačte suchý zip na místo.

Čištění

Svářečskou kuklu, obličejový úchyt a hadici čistěte navlhčeným (ne mokřím) měkkým hadříkem v teplé mýdlové vodě. Při čištění vnějších/vnitřních sklíček postupujte opatrně, abyste je nepoškrábali. Vysušte třením o měkkou suchou textilií a nechte vyschnout. **Do vzduchového kanálu nesmí vniknout voda.**

VAROVÁNÍ: Nečistěte pomocí volně prodejných rozpouštědel nebo organických směsí.

ADF



Vysvětlení označení:

XA-1021	Název modelu ADF
CSS	Označení výrobce
4/5-9/9-13	Dostupné rozsahy tmavosti (viz tabulku s doporučenými hodnotami tmavosti pro různé typy práce)
1/1/1/1/379	Vysvětlení certifikace ADF
	1 = optická třída
	1 = třída rušivého světla
	1 = třída homogenity
	1 = třída úhlové závislosti
	379 = standard EN 379

Pro výměnu sklíček ADF jednoduše přemístěte spínač do spodní polohy odblokování a pomalu je vytáhněte mimo přílbu. V případě potřeby vyjmutí baterie a externího spínacího přístroje je opatrně vytlačte z úchytu na spodní straně a povolte zachytnou sponu na spodní části bloku baterií.

Nastavení svařování/broušení (weld/grind)

Podle toho, zda se chystáte svařovat nebo brousit, umístěte přepínač režimu svařování/broušení do příslušné polohy.

Nastavení tmavosti

V režimu svařování zvolte tmavost v souladu s normou EN 379 (viz níže uvedenou tabulku).

Pro nastavení citlivosti na světlo/zpoždění:

- a. Nastavte kontrolní ukazatel světelné citlivosti do polohy HI (maximální světelná citlivost).
- b. Pomalu otáčejte kontrolním ukazatelem světelné citlivosti proti směru hodinových ručiček až do pozice, kdy je ADF nejtmaší. LO poloha je vhodná pro vysokonapětové svařování a pro svařování za jasných podmínek. Poloha HI je vhodná pro nízkonapětové svařování, pro špatné světelné podmínky a pro obloukové svařování v ochranné atmosféře. U tohoto ADF vám doporučujeme používat nastavení vyšší citlivosti.
- c. Nastavte prodlevu tmavého po světly (0,1 s MIN až 0,9 s MAX) dle požadavků. Poloha MIN je ideální pro pásové svařování nebo výrobní svařování s krátkými svary. Poloha MAX je ideální pro vysokonapětové svařování, při kterém vzniká dosvit ve svaru.

024-001-911 Rev B ConceptAir 07/2019

Nařízení PPE (EU) 2016/425 nebo směrnice PPE 89/686/EHS: Typová zkouška EU/ES (podle konkrétního případu): BSI Group The Netherlands B.V., Say Building, John M. Keynesplein 9, 1066 EP, Amsterdam, Nizozemsko (oznámený subjekt č. 2797) nebo BSI Assurance UK Ltd, Kitemark Court, Davy Avenue, Knowlhill, Milton Keynes MK5 8PP, Spojené království (oznámený subjekt č. 0086) podle údajů na výrobním štítku.

Centurion Safety Products Ltd
T: +44 (0) 1842 754266 | F: +44 (0) 1842 765590 | sales@centurionsafety.co.uk | 21 Howlett Way, Thetford, Norfolk, IP24 1HZ, England
centurionsafety.eu



Hlavní díly

Popis	Kód
Rezervní přílba/štít kukly	R23CHFUV
Rezervní štít kukly	R23FUVN
Rezervní svářečská přílba kukly	R23AWH9/13
Rezervní ADF svářečská sklíčka	R23ADF9/13
Rezervní svářečský filtr proti ostřikům (10)	R23OLCH
Rezervní vnitřní kryt svářečských sklíček (10)	R23ILCH
Kryt hadice Proban	R23PHS
Kryty štítů (přilba/štít a štít kukly) (50)	R23VC50N
Vyměnitelné potní pásky (štít) (10)	R23SB
Potní páska + 2 šrouby (svářečský štít)	R23SBAWH
Rezervní izolace obličeje (přilba/štít)	R23CHFUVF/PN
Rezervní izolace obličeje (štít)	R23FN
Rezervní izolace obličeje (svářečská přílba)	R23CAWF
Rezervní polykarbonátový štít pro přilbu/štít kukly	R23CHFUVVP
Rezervní polykarbonátový štít se suchým zipem pro štít	R23VN
Rezervní sestava hadice (0,85 m)	R23HAHD
Sestava hadice (1 m Heavy Duty)	R23HAHDL

Vysvětlivky k testům bezpečnostních kukel a štítů

Bezpečnostní kukla je certifikována dle následujících standardů:

EN 397

MM	Odolnost proti postřiku roztaveným kovem
-40 °C	Odolnost proti nárazu při nízkých teplotách
LD	Odolnost proti příčné (boční) deformaci
440 V a.c.	Vhodná pro použití při rizicích spojených s elektrickým proudem do 440 V a.c.
1000 V a.c.	Vhodná pro použití při rizicích spojených s elektrickým proudem do 1000 V a.c. (EN 50365)

Štíty na přilbě/štít a štít kukly jsou certifikovány dle následujících standardů:

EN 166

1	Nejvyšší optická třída
B	Odolnost proti nárazu (120 m/s)
3	Odolnost proti ostříku kapaliny
9	Odolnost proti postřiku roztaveným kovem

Skladování (všechny kukly)

Všechny kukly musí být skladovány v čistém a suchém prostředí při teplotním rozsahu -5 °C až +55 °C a relativní vlhkost < 90 % ve svém originálním obalu. Ideální podmínky pro skladování jsou 5 °C až 35 °C relativní vlhkost < 60 %. Přepravujte v originálním obalu. Je-li správně uskladněn, vztahuje se na produkt 5letá skladová životnost.

Záruka

Na všechny kukly ConceptAir se vztahuje záruka na vady materiálu a výroby. Nastane-li jakákoli z těchto závad během 12 měsíců od zakoupení tohoto produktu, společnost Centurion Safety Products Ltd provede, dle vlastního uvážení, bezplatnou opravu nebo výměnu kukly.

OEEZ



OEEZ (vztahuje se POUZE na napájecí jednotku, baterii a nabíječku)

TYTO PRODUKTY BY NEMĚLY BÝT LIKVIDOVÁNY SPOLEČNĚ S BĚŽNÝM DOMOVNÍM ODPADEM

- Symbol spojitou čarou přeškrtnuté popelnice, uvedený na tomto produktu, na jeho obalu nebo návodu k použití znamená, že daný produkt podléhá směrnici EU 2002/96/ES týkající se správného nakládání s odpadními elektrickými a elektronickými zařízeními (česky OEEZ, angl. WEEE).
- OEEZ nelze vyhazovat do běžného odpadu a musí být vráceny a likvidovány odděleně. Využíván by měl být vhodný veřejný či soukromý systém sběru od padu definovaný v souladu se státními a lokálními předpisy.
- Tento produkt může obsahovat látky, které by mohly v případě nesprávné likvidace poškodit životní prostředí nebo lidské zdraví.

Další informace nebo prohlášení EU/ES (podle konkrétního případu) o shodě jsou uvedeny na našich webových stránkách centurionsafety.eu.

024-001-911 Rev B ConceptAir 07/2019

Nářízení PPE (EU) 2016/425 nebo směrnice PPÉ 89/686/EHS: Typová zkouška EU/ES (podle konkrétního případu): BSI Group The Netherlands B.V., Say Building, John M. Keynesplein 9, 1066 EP, Amsterdam, Nizozemsko (oznámený subjekt č. 2797) nebo BSI Assurance UK Ltd, Kitemark Court, Davy Avenue, Knowlhill, Milton Keynes MK5 8PP, Spojené království (oznámený subjekt č. 0086) podle údajů na výrobním štítku.

Centurion Safety Products Ltd
T: +44 (0) 1842 754266 | F: +44 (0) 1842 765590 | sales@centurionsafety.co.uk | 21 Howlett Way, Thetford, Norfolk, IP24 1HZ, England
centurionsafety.eu



Det er vigtigt, at du læser denne vejledning og vejledningerne til strømenheden, før du begynder at bruge hovedbeskyttelsen.

Tabellen viser de ConceptAir-systemer, som er certificeret, samt relevante godkendelser.

Del-nr.	Beskrivelse	Åndedrætscertificering	Åndedrætsværnfaktor NPF/APF	Hoved-/øjencertificering
R23CHFUVKIT	PAPR-system til visir til hjelm	EN 12941:1998+A2:2008 TH2P	NPF 50	EN 397 & EN 166
R23FUVNKIT	PAPR-system med visir	EN 12941:1998+A2:2008 TH2P	NPF 50	EN 166
R23AWH9/13KIT	PAPR-system til svejsehjelm	EN 12941:1998+A2:2008 TH2P	NPF 50	EN 166 & EN 175

Den nominelle beskyttelsesfaktor (NPF) er afledt af de laboratorietest, der er udført iht. EN12941. Der henvises til EN529 for en landespecifik vejledning i beskyttelsesfaktor.

ADVARSEL

- Åndedrætsbeskyttelsen nedsættes, hvis hovedbeskyttelsen ikke er korrekt monteret og vedligeholdt.
- Åndedrættet beskyttes ikke, når visiret er i løftet position.
- Den åndedrætsbeskyttelse, som opnås med visirer og hætter, kan være nedsat under høje vindhastigheder.
- Hvis det skulle ske, at strømenheden slås fra eller ikke fungerer, hvilket er meget usandsynligt, beskyttet åndedrættet kun i begrænset omfang eller slet ikke.
- I slukket tilstand kan der ske hurtig ophobning af kuldioxid og mangel på ilt.
- Der er meget vigtigt, at værnemidlerne samles og monteres i et "renluftsmiljø".
- Brugeren skal forlade det forurenede område, og alt forurening skal fjernes fra personen og tøjet, før åndedrætsbeskyttelsen fjernes.

R23CHFUVKIT - Hjelm med hovedbeskyttelse med visir i polycarbonat

The **R23CHFUVKIT** er en hjelm med opvipbart visir, som tilføres luft fra en strømenhed monteret i taljen via en forstærket PVC-slange og en indvendig luftkanal i letvægtsmateriale. Luften ledes ud i toppen af visirområdet, hvilket giver maksimal forebyggelse af tildugning, og ledes mod åndedrætszonen. **R23CHFUVKIT** er beregnet til brug på steder, hvor der er en defineret åndedrætsfare, og brugeren skal bære hoved-, ansigts- og øjenbeskyttelse. Industrisikkerhedshjelmen er beregnet til at beskytte brugeren mod faldende genstande og deraf følgende hjerneskader. Ansigts-/øjensbeskyttelsen beskytter mod slag og flyvende materiale.

Beskyttelsesfilmen på visiret yderside skal fjernes før brug.

Efterse visiret for at sikre, at visiret, pandebeskytteren, hovedskærmen, ansigtsskærmen eller slangen ikke har synlige skader.

Efterse hovedbeskyttelsen for at sikre, at hjelmen, visirenheden, hovedskærmen, ansigtsskærmen eller slangen ikke har synlige skader.

Justering

Før hjelmen tages på, skal slangen kobles til hjelmen og strømenheden, og bæltet skal fastgøres med spændet foran. Kontroller, at der kommer luft ud af den indvendige luftkanal i hjelmen, og juster hovedremmen, så den sidder behageligt på hovedet. Tag hjelmen på, og stram hovedremmen. Bemærk: For at kunne yde tilstrækkelig beskyttelse af hovedet skal hjelmen passe til eller justeres efter brugerens hovedstørrelse. Juster hjelmen ved hjælp af hovedbåndet bag på hjelmen for at opnå en god og sikker pasform. Denne hjelm er fremstillet til at absorbere slagenergi ved delvis ødelæggelse eller skade på hjelmkappen og remmen eller polstringen, og selv om en sådan skade ikke er umiddelbart synlig, skal et produkt, der har været udsat for en alvorlig påvirkning, altid udskiftes. Vip visiret ned, og træk ansigtsbeskytteren ned under hagen, så den sidder tæt til ansigtet.

Vedligeholdelse

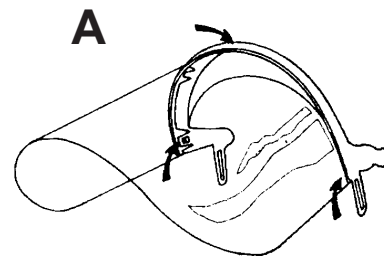
Kontroller, at alle dele er intakte og virker, før du tager produkterne i brug. Hvis du er i tvivl, skal du kontakte producenten.

Udskift visirbeskyttelsen ofte, og udskift visiret, når hvis der er ridset eller beskadiget.

Den øvrige regelmæssige vedligeholdelse består af rengøring af hjelmkappen, slangen og luftkanalen samt udskiftning af ansigtstætningen efter behov. Der må ikke ændres på eller fjernes originale komponenter, der er en del af hjelmen, eller andre dele af åndedrætssystemet, medmindre dette er anbefalet af producenten. Der må ikke påføres maling, opløsningsstoffer, klæber eller selvklæbende mærkater.

Montering af nyt visir

Det gamle visir afmonteres ved først at fjerne den hvide stift, der sidder midt på visirholderen (A) og fjerne visiret. Det nye visir monteres ved først at placere hullerne i begge ender af hjelmkappen på taperne i hjelmkappens holder. Tryk forsigtigt foran på hjelmkappen for at trykke den fast. Monter derefter den hvide stift igen, så den går gennem både visirets holder og det midterste hul i visiret.



Fjernelse/udskiftning af hoved-/ansigtstætning

Hoved-/ansigtstætningen er fastgjort med velcro, og udskiftes som beskrevet her: -

1. Læg hjælpen på et plant underlag, og løs slangeenheden fra luftkanalen ved at holde godt fast i kanalen og dreje bajonetkoblingen mod uret.
2. Frigør den gamle hoved-/ansigtstætning fra velcroen.
3. Fastgør velcroen på hoved-/ansigtstætningen på velcroen på hjelmen. Begynd fra midten, og følg hjelmens konturer. Sørg for, at samlingen er flad og uden folder.

Rengøring

Hjelm, slange og luftkanal rengøres ved at aftørre dem med en fugtig (ikke våd) blød klud vredet op i varmt sæbevand. Tør efter med en blød, tør klud. **Der må ikke komme vand ind i luftkanalen.**

Vær forsigtig, så produkterne ikke ridses. **ADVARSEL: Må ikke rengøres med kommercielle opløsningsmidler eller organiske blandinger.**

Ansigtstætningen kan vaskes med almindeligt vaskepulver ved 40 °C.

024-001-911 Rev B ConceptAir 07/2019

PPE-forordningen (EU) 2016/425 eller PPE-direktivet 89/686/EØF: EU/EF-typeafprøvning foretaget af (hvis relevant): BSI Group The Netherlands B.V., Say Building, John M. Keynesplein 9, 1066 EP, Amsterdam, Holland (bemyndiget organ nr. 2797) eller BSI Assurance UK Ltd, Kitemark Court, Davy Avenue, Knowlhill, Milton Keynes MK5 8PP, Storbritannien (bemyndiget organ nr. 0086) som angivet på produktmærkaten.

Centurion Safety Products Ltd
T: +44 (0) 1842 754266 | F: +44 (0) 1842 765590 | sales@centurionsafety.co.uk | 21 Howlett Way, Thetford, Norfolk, IP24 1HZ, England
centurionsafety.eu

R23FUVNKIT Hovedbeskyttelse med visir i polycarbonat

R23FUVNKIT er et opvipbart visir, som luftforsynes fra en taljemonteret strømenhed via en spiralforstærket pvc-slange og en indvendig luftkanal i letvægtsmateriale. Luften ledes ud i toppen af visirområdet, hvilket giver maksimal forebyggelse af tildugning, og ledes mod åndedrætszonen.

R23FUVNKIT er beregnet til brug på steder, hvor der er en defineret åndedrætsfare, og hvor brugeren skal anvende ansigts- og øjenbeskyttelse. Ansigts-/øjenbeskyttelsen beskytter mod slag og flyvende materiale.

Beskyttelsesfilmen på visiret yderside skal fjernes før brug.

Efterse visiret for at sikre, at visiret, pandebeskytteren, hovedskærmen, ansigtsskærmen eller slangen ikke har synlige skader.

Justering

Før visiret tages på, skal slangen kobles til visiret og strømenheden, og bæltet skal fastgøres med spændet foran.

Kontroller, at der kommer luft ud af den indvendige luftkanal i hjelmen. Tag visiret på, og juster isseremmen, så den sidder behageligt med hovedbåndet over ørerne. Juster hovedremmen til den korrekte størrelse ved hjælp af skraldegrebet bagpå. Vip visiret ned, og træk ansigtsbeskytteren ned under hagen, så den sidder tæt til ansigtet. Træk hovedskærmen ned, så den overlapper kanterne på pandebeskytteren langs samlingen mod visiret. Tryk hovedtætningen ind under pandebeskytterens bagkant ved drejepunktet, så den slutter så hovedskærmen og ansigtsskærmen sidder så tæt som muligt.

Montering af nyt visir

Visiret skal udskiftes, hvis der kommer ridser eller hakker i det.

Visiret flyttes ved først at fjerne de tre forreste stifter ved at trykke de ud fra indersiden.

Tryk derefter på visiret for at bøje siderne væk fra pandebeskytteren og fjerne det.

Et nyt visir monteres ved at placere hullerne i visirets ender i pandebeskytteren.

Før skærmen ind i rillen i pandebeskytteren, og tryk forsigtigt på visirets forside for at bøje det over den midterste holdestift, til det sidder i midterhullet i visiret. Kontroller, at alle holdestifter sidder helt inde i hullerne i visiret. Monter de to hvide stifter på forsiden af pandebeskytteren igen gennem både pandebeskytteren og visiret. Bemærk: Hovedskærmen, ansigtstætningen, luftslangen eller luftkanalen skal udskiftes, hvis de bliver beskadiget.

Afmontering/udskiftning af hovedskærm/ansigtstætning

Hoved-/ansigtstætningen er fastgjort med velcro, og udskiftes som beskrevet her: -

1. Læg hjælpen på et plant underlag, og løs slangeenheden fra luftkanalen ved at holde godt fast i kanalen og dreje bajonetkoblingen mod uret.
2. Frigør den gamle hoved-/ansigtstætning fra velcroen.
3. Fastgør velcroem på hoved-/ansigtstætningen på velcroen på hjelmen. Begynd fra midten, og følg hjelmens konturer. Sørg for, at samlingen er flad og uden folder.

Afmontering/udskiftning af svedbånd/hovedpolstring

Både svedbåndet og hovedpolstringen kan nemt udskiftes.

Udskiftning af svedbånd: -

1. Drej de to 2 bolte ¼ omgang for at fjerne dem fra luftkanalen.
2. Tag det gamle svedbånd af.
3. Placer de 4 stansede huller i det nye svedbånd over de 4 øjer til fastgørelse af hovedremmen.
4. Sæt de 2 bolte i luftkanalen, og drej dem ¼ omfang for at fastgøre dem.
5. Fold svedbåndet over hovedremmen, og sæt det på øjerne.

Rengøring

Visiret, pandebeskytteren og slangen rengøres ved at aftørre dem med en fugtig (ikke våd), blød klud vredet op i varmt sæbevand. Tør efter med en blød, tør klud. **Der må ikke komme vand ind i luftkanalen. ADVARSEL: Må ikke rengøres med kommercielle opløsningsmidler eller organiske blandinger.** Ansigts- og hovedtætningen kan vaskes ved 40°C med almindeligt vaskepulver.

R23AWH9/13KIT – Hovedbeskyttelse til ADF svejsehjelm

R23AWH9/13KIT er en svejsehjelm med automatisk farveskift, som luftforsynes fra en taljemonteret strømenhed via en spiralforstærket pvc-slange og en indvendig luftkanal i letvægtsmateriale. **R23AWH9/13KIT** er beregnet til brug på steder, hvor der er en defineret åndedrætsfare, og hvor brugeren skal anvende ansigts- og øjenbeskyttelse. Svejsehjelmen er beregnet til at beskytte mod UV/IR, partikler med lav påvirkning samt svejsegnister.

Svejsehjelmen er udstyret med et svejsefilter med automatisk farveskift (ADF). Filteret er transparent, før svejsningen påbegyndes, så operatøren kan se arbejdsfladen tydeligt. Når buen tændes, bliver filteret automatisk mørk på ca. 0,08 msek. Når buen slukkes, bliver filteret transparent igen. Operatøren kan indstille skiftetiden fra mørk til lys inden for 0,1 - 0,9 sekund. Svejsehjelmen er udstyret med en enhed til trinløs justering, så operatøren kan vælge nummeret på den ønskede mørke tone i intervallet 5-13.

Svejsehjelmen giver operatøren permanent og fuld beskyttelse op til DIN15 mod UV/IR, også i transparent tilstand. Strømmen leveres af solceller og et udskifteligt batteri. ADF'en har 4 sæt fotosensorer, som registrerer buelyset. Desuden har masken en udvendig beskyttelsesplade af højpolymaterialer. Pladen er slidstærk, varmestabil og stænksikker og har en lang levetid.

Fjern beskyttelsesfilmen fra stænkglassets yderside og ADF'ens inderside, før hjelmen tages i brug.

Efterse svejsehjelmen for at sikre, at hjelmen, glassene, hovedskærmen, ansigtsskærmen eller slangen ikke har synlige skader.

ADVARSEL

Du skal have læst og forstået alle instruktioner, før du begynder at bruge hjelmen.

- Kontroller, at glasset i svejsehjelmen har den korrekte mørke tone med det korrekte nummer til opgaven.
- Hjelmen og glassene er ikke egnede til opgaver, som omfatter svejsearbejde over hovedhøjde, lasersvejsning eller laserskæring.
- Svejsehjelme er beregnet til at beskytte øjne og ansigt mod gnister, stænk og skadelig stråling under normale svejseforhold.
- Denne helm beskytter ikke mod eksplosivt udstyr eller ætsende væsker. Der skal anvendes afskærmning på maskiner eller stænkbeskyttelse, når der arbejdes under disse typer farer.
- Undgå arbejdsstillinger, der kan udsætte ubeskyttede områder af kroppen for gnister, stænk eller direkte og/eller reflekteret stråling. Brug egnet beskyttelse, hvis eksponering ikke kan undgås.
- Kontroller altid lystætheden, før hjelmen bruges. Kontroller altid før brug, at beskyttelsespladerne er rene, og at der ikke sidder snavs på sensorerne på glassets forside.
- Efterse alle fungerende dele før brug for tegn på slitage eller skader. Alle dele med ridser, revner eller hakker skal straks udskiftes.

024-001-911 Rev B ConceptAir (Headpieces) 05/2019

PPE-forordningen (EU) 2016/425 eller PPE-direktivet 89/686/EØF: EU/EF-typeafprøvning foretaget af (hvis relevant): BSI Group The Netherlands B.V., Say Building, John M. Keynesplein 9, 1066 EP, Amsterdam, Holland (bemyndiget organ nr. 2797) eller BSI Assurance UK Ltd, Kitemark Court, Davy Avenue, Knowlhill, Milton Keynes MK5 8PP, Storbritannien (bemyndiget organ nr. 0086) som angivet på produktmærkat.

Centurion Safety Products Ltd
T: +44 (0) 1842 754266 | F: +44 (0) 1842 765590 | sales@centurionsafety.co.uk | 21 Howlett Way, Thetford, Norfolk, IP24 1HZ, England
centurionsafety.eu



- Der må ikke foretages ændring af hverken svejseglasset eller hjelmen udover dem, der er angivet i denne vejledning. Der må ikke anvendes reservedele udover dem, der er angivet i denne vejledning. Ikke-godkendte ændringer og brug af ikke-godkendte reservedele medfører bortfald af garantien og udsætter brugeren for en risiko for personskade.
- Hvis glasset ikke bliver mørkere, når buen tændes, skal svejsearbejdet straks afbrydes.
- Brug ikke opløsningsmidler på glas eller hjelmdede.
- Det anbefalede driftstemperaturområde for svejseglasset er -10 °C-65 °C. Udstyret må ikke anvendes uden for disse temperaturgænser.

Justering

Før svejsehjelmen tages på, skal slangen kobles til visiret og strømenheden, og bæltet skal fastgøres med spændet foran. Kontroller, at der kommer luft ud af den indvendige luftkanal i hjelmen. Kontroller, at sensorerne på ADF'en er rene, og at de ikke er blokeret. Sørg for, at ADF-holderen sidder godt fast, og at spændet på ADF'en er lukket.

Tag svejsehjelmen på, og juster isseremmen, så den sidder behageligt med hovedbåndet over ørerne. Juster hovedremmen til den korrekte størrelse ved hjælp af skraldegrebet bagpå. Vip svejsehjelmen ned, og træk ansigtsbeskytteren ned under hagen, så den sidder tæt til ansigtet. **Stram snoren.**

For at opnå optimalt udsyn kan hovedremmens vinkel inde i svejsehjelmen justeres.

Fjernelse/udskiftning af hoved-/ansigtstætning

Hoved-/ansigtstætningen er fastgjort til svejsehjelmen med velcro, og udskiftes som beskrevet her: -

1. Læg hjælpen på et plant underlag, og løs slangeenheden fra luftkanalen ved at holde godt fast i kanalen og dreje bajonetkoblingen mod uret.
2. Frigør den gamle hoved-/ansigtstætning fra velcroen.
3. Fastgør velcroen på hoved-/ansigtstætningen på velcroen på hjelmen. Begynd fra midten, og følg hjelmens konturer. Sørg for, at samlingen er flad og uden folder.

Afmontering/udskiftning af svedbånd/hovedpolstring

Både svedbåndet og hovedpolstringen kan nemt udskiftes.

Udskiftning af svedbånd: -

1. Drej de to bolte ¼ omgang for at fjerne dem fra luftkanalen.
2. Tag det gamle svedbånd af.
3. Placer de 4 stansede huller i det nye svedbånd over de 4 øjer til fastgørelse af hovedremmen.
4. Sæt de 2 bolte i luftkanalen, og drej dem ¼ omgang for at fastgøre dem.
5. Fold svedbåndet over hovedremmen, og sæt det på øjerne.

Udskiftning af hovedpolstringen: -

1. Fjern den gamle polstring, og rengør velcrofladen for eventuelle materialerester.
2. Sæt den nye polstring på. Placer den midt på hovedremmen, og tryk velcroen godt fast.

Rengøring

Svejsehjelmen, ansigtstætningen og slangen rengøres ved at aftørre dem med en fugtig (ikke våd) blød klud vredet op i varmt sæbevand. Vær forsigtig ved indvendig/udvendig rengøring af glasset, da det kan blive ridset. Tør efter med en blød, tør klud, og lad den lufttørre. **Der må ikke komme vand ind i luftkanalen. ADVARSEL: Må ikke rengøres med kommercielle opløsningsmidler eller organiske blandinger.**

ADF



Forklaring af godkendelsessymboler:

XA-1021	ADF'ens modelnavn
CSS	Producentens mærkning
4/5-9/9-13	Udvalg af farvekategorier (se tabellen over anbefalede farvenumre for oplysninger om anvendelse)
1/1/1/1/379	Forklaring af ADF-godkendelse
	1 = optisk klasse
	1 = glas til forstyrrende lys
	1 = homogenitetsklasse
	1 = vinkelafhængighedsklasse
	379 = standard EN 379

ADF-glasset udskiftes ved at flytte kontakten fornedet til ulåst position og langsomt trække den væk fra hjelmen. Batteriet og det eksterne koblingsudstyr skal fjernes ved forsigtigt at trække holdeclipsen foroven ud, så enheden løsnes nederst i batterienheden.

Svejs-/slibeindstilling

Afhængig af om du skal udføre svejs- eller slibearbejde skal svejs-/slibefunktionen indstilles til den korrekte position.

Farveindstilling

I svejsfunktionen vælges farve i henhold til EN 379 (se tabellen nedenfor).

Indstilling af lysfølsomhed/forsinkelse:

- a. Indstil kontrolknappen for lysfølsomhed til position HI (maksimal lysfølsomhed).
- b. Drej langsomt kontrolknappen for lysfølsomhed mod uret, til ADF'en ikke længere bliver mørkere. Indstillingen LO er egnet til svejsning med høj strømstyrke og svejsning i kraftigt lys. Indstillingen HI er egnet til svejsning med lav strømstyrke, svejsning i svagt lys samt TIG-svejsning. Vi anbefaler brug af en høj lysfølsomhed med denne ADF.
- c. Indstil forsinkelsen fra mørk til lys (0,1 sek. MIN til 0,9 sek. MAX) efter behov. Indstillingen MIN er egnet til sporsvejsning eller produktionsvejsning med korte svejsesømme. Indstillingen MAX er egnet til svejsning med høj strømstyrke, hvor der forekommer efterglødning fra svejsesømmen.

Strømforsyning

Strømforsyningen til R23AWH 9/13 ADF leveres af solceller og ét udskifteligt CR2450-lithiumbatteri. ADF'en slås til og fra automatisk.

024-001-911 Rev B ConceptAir 07/2019

PPE-forordningen (EU) 2016/425 eller PPE-direktivet 89/686/EØF: EU/EF-typeafprøvning foretaget af (hvis relevant): BSI Group The Netherlands B.V., Say Building, John M. Keynesplein 9, 1066 EP, Amsterdam, Holland (bemyndiget organ nr. 2797) eller BSI Assurance UK Ltd, Kitemark Court, Davy Avenue, Knowlhill, Milton Keynes MK5 8PP, Storbritannien (bemyndiget organ nr. 0086) som angivet på produktmærkaten.

Centurion Safety Products Ltd
T: +44 (0) 1842 754266 | F: +44 (0) 1842 765590 | sales@centurionsafety.co.uk | 21 Howlett Way, Thetford, Norfolk, IP24 1HZ, England
centurionsafety.eu

Vigtigste reservedele

Beskrivelse	Kode
Reservehjelm/Hovedbeskyttelse med visir	R23CHFUV
Reservevisir til hovedbeskyttelse	R23FUVN
Reservehovedbeskyttelse til svejsehjelm	R23AWH9/13
ADF-reserveglas til svejsning	R23ADFH9/13
Reservestænfilter til svejsning (10)	R23OLCH
Indvendigt reserveglas til svejsning (10)	R23ILCH
Proban slangekappe	R23PHS
Visirkapper (hjelm/visir og hovedbeskyttelse med visir) (50)	R23VC50N
Svedbånd, til engangsbrug (visir) (10)	R23SB
Svedbånd + 2 bolte (svejservisir)	R23SBAWH
Reserveansigtstætning (hjelm/visir)	R23CHFUVF/PN
Reserveansigtstætning (visir)	R23FN
Reserveansigtstætning (svejsehjelm)	R23CAWF
Reservevisir i polycarbonat til hjelm/hovedbeskyttelse med visir	R23CHFUVVP
Reservevisir i polycarbonat med velcro til hovedbeskyttelse med visir	R23VN
Reserveslangeenhed (0,85 m)	R23HAHD
Slangeenhed (1 m kraftig)	R23HAHDL

Forklaring af godkendelser til sikkerhedshjelme og visirer

Sikkerhedshjelmene er certificeret iht. følgende standarder:

EN 397

MM	Beskyttelse mod stænk med smeltet metal
-40 °C	Beskyttelse mod slag ved lave temperaturer
LD	Beskyttelse mod lateral deformation
440 V AC.	Egnet til brug ved elektrisk spændingsfare op til 440 V AC.
1000 V AC.	Egnet til brug ved elektrisk spændingsfare op til 1000 V AC. (EN 50365)

Visirer på hjelmen/visiret og hovedbeskyttelser med visir er certificeret iht. følgende standarder:

EN 166

1	Højeste optiske klasse
B	Slagfasthed (120 m/sek.)
3	Beskyttelse mod væskestænk
9	Beskyttelse mod stænk med smeltet metal

Opbevaring (alle hovedbeskyttelser)

Alle hovedbeskyttelser skal opbevares rent og tørt og i originalemballagen inden for temperaturområdet -5 °C til +55 °C ved RH <90 %. De ideelle opbevaringsforhold er 5 °C til 35°C R.H. < 60 %. Transporteres i originalemballagen. Hvis produktet opbevares korrekt, har det en holdbarhed på 5 år.

Garanti

Alle ConceptAir hovedbeskyttelser er garanteret fri for fejl i materialer og udførelse. Hvis der skulle opstå fejl inden for 12 måneder efter købsdatoen, så reparerer eller udskifter Centurion Safety Products Ltd hovedbeskyttelsen efter deres skøn uden beregning.

WEEE



WEEE (gælder KUN strømmeenhed, batteri og lader)

DISSE PRODUKTER MÅ IKKE BORTSKAFFES SAMMEN MED HUSHOLDNINGSAFFALDET

- Symbolet med den overstregede affaldsspand med fast bjælke, der er angivet på produktet, emballagen eller i brugervejledningen angiver, at produktet er omfattet af EU-direktiv 2002/96/EF vedrørende korrekt håndtering af affald fra elektronisk og elektrisk udstyr (WEEE).
- Affald af elektronisk og elektrisk udstyr må ikke bortskaffes sammen med husholdningsaffaldet, men skal indsamles og bortskaffes separat. Der skal anvendes egnede offentlige eller private affaldsindsamlingssystemer i henhold til gældende nationale og lokale regler.
- Produktet kan indeholde stoffer, som kan være miljøskadelige eller sundhedsfarlige, hvis de bortskaffes forkert.

Du kan finde flere oplysninger samt EU/EF-overensstemmelseserklæringen (hvis relevant) på vores website centurionsafety.eu

024-001-911 Rev B ConceptAir 07/2019

PPE-forordningen (EU) 2016/425 eller PPE-direktivet 89/686/EØF: EU/EF-typeafprøvning foretaget af (hvis relevant): BSI Group The Netherlands B.V., Say Building, John M. Keynesplein 9, 1066 EP, Amsterdam, Holland (bemyndiget organ nr. 2797) eller BSI Assurance UK Ltd, Kitemark Court, Davy Avenue, Knowlhill, Milton Keynes MK5 8PP, Storbritannien (bemyndiget organ nr. 0086) som angivet på produktmærkatene.

Centurion Safety Products Ltd
T: +44 (0) 1842 754266 | F: +44 (0) 1842 765590 | sales@centurionsafety.co.uk | 21 Howlett Way, Thetford, Norfolk, IP24 1HZ, England
centurionsafety.eu

On tärkeää, että luet ennen päänsuojaimen käyttöä nämä ohjeet ja virtalähteen mukana toimitetut ohjeet.

Alla olevassa taulukossa on ConceptAir-järjestelmät, jotka on sertifioitu ja joilla on asiaa koskevat hyväksynnät.

Osanumero	Kuvaus	Hengityssertifiointi	Hengityksen suojauskerroin NPF/APF	Pää-/ silmäsertifiointi
R23CHFUVKIT	Kypärävisiiri, moottoroitu ilmaa puhdistava hengityssuojainjärjestelmä (PAPR)	EN 12941:1998+A2:2008 TH2P	NPF 50	EN 397 & EN 166
R23FUVNKIT	Visiiri, moottoroitu ilmaa puhdistava hengityssuojainjärjestelmä (PAPR)	EN 12941:1998+A2:2008 TH2P	NPF 50	EN 166
R23AWH9/13KIT	Hitsauskypärä, moottoroitu ilmaa puhdistava hengityssuojainjärjestelmä (PAPR)	EN 12941:1998+A2:2008 TH2P	NPF 50	EN 166 & EN 175

Nimellinen suojauskerroin (NPF) on määritetty EN12941-mukaisilla laboratoriotesteillä. Katso standardista EN529 maakohtaiset suojauskerroinohjeet.

VAROITUS

- Hengityssuojaus vähenee, jos päänsuojainta ei pueta oikein päälle ja huolleta kunnolla.
- Kun visiiri on yläasennossa, hengityssuojausta ei ole.
- Visiirin ja huppujen hengityssuojaus saattaa vähentyä, kun tuuli puhaltaa suurella nopeudella.
- Siinä epätodennäköisessä tilanteessa, että virtalähde on kytketty pois päältä tai ei toimi, hengityssuojausta on vain vähän tai ei ollenkaan.
- Kun tuote on kytketty pois päältä, hiilidioksidi voi lisääntyä ja happi voi vähentyä nopeasti.
- On tärkeää, että kaikki suojaruuvit kootaan ja puetaan päälle "puhdasilmäisessä" ympäristössä.
- Käyttäjän täytyy poistaa saastuneelta alueelta ja poistaa kaikki epäpuhtaudet itsestään ja vaatteistaan ennen hengityssuojan poistamista.

R23CHFUVKIT - Päänsuojain jossa kypärä ja polykarbonaattiviisiiri

R23CHFUVKIT on kypärä, jossa on käännettävä visiiri. Siihen syötetään ilmaa vyötärölle kiinnitettävästä virtalähteestä vahvistetun PVC kierreletkun ja kevyen sisäisen ilmanavan kautta. Ilma johdetaan visiirialueen yläosaan, mikä vähentää huurtumista mahdollisimman paljon. Ilma suunnataan hengitysalueelle.

R23CHFUVKIT on tarkoitettu käytettäväksi paikoissa, joissa on määritetty hengitysvaara ja käyttäjä tarvitsee pään, kasvojen ja silmien suojausta. Teollisuuskyypärä on tarkoitettu suojaamaan käyttäjän päätä putoavilta esineiltä sekä niiden aiheuttamilta aivovammoilta. Kasvojen-/silmiensuojus on suunniteltu suojaamaan iskuilta ja lentäviltä kappaleilta.

Poista suojakalvo visiirin ulkopuolelta ennen käyttöä.

Tarkasta visiiri ja varmista, että visiirissä, otsasuojassa, päänsuojassa, kasvotiivisteessä tai letkussa ei ole näkyviä vaurioita.

Tarkasta päänsuojain ja varmista, että kypärässä, visiiryksikössä, päänsuojassa, kasvotiivisteessä tai letkussa ei ole näkyviä vaurioita.

Pukeminen

Ennen kuin puet kypärän yllesi, liitä letku kypärään ja virtalähteeseen ja laita vyötäröhihna kiinni edessä olevalla kiinnitysoljella.

Tarkasta, että ilmaa tulee ulos kypärän sisäisen ilmanavan etuosasta ja säädä päähihna siten, että se istuu miellyttävästi.

Laita kypärä päähäsi ja kiristä pääpanta. Huomautus: Jotta kypärä suojaaa päätä riittävästi, sen on vastattava käyttäjän pään kokoa tai säädettävä sen mukaan. Säädä kypärää sen takaosassa olevalla pääpannalla, jotta se istuu tukevasti ja miellyttävästi. Tämä kypärä on valmistettu siten, että se vaimentaa iskuista aiheutuvan energian, minkä seurauksena tuotteen kuori ja hihna tai suojaepihmukset voivat rikkoutua osittain tai vaurioitua. Vaikka tällaiset vauriot eivät ole välttämättä heti huomattavissa, kypärä, johon on kohdistunut voimakas isku, on vaihdettava. Käännä visiiri alas ja vedä kasvotiiviste leuan alle, jotta se on tiiviisti kasvoja vasten.

Huolto

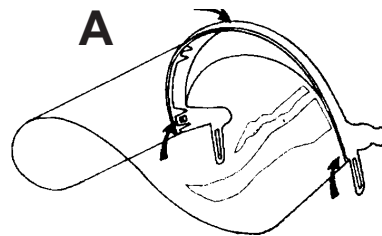
Tarkasta ennen käyttöä, että kaikki osat toimivat ja ovat vahingoittumattomia. Jos olet yhtään epävarma, ota yhteys valmistajaan.

Vaihda visiirisuojukset säännöllisesti ja vaihda visiiri, jos se naarmuuntuu tai vaurioituu.

Muita rutiinihuoltotoimia ovat kuoren, letkun ja ilmanavan puhdistus sekä kasvotiivisteiden vaihtaminen tarvittaessa. Kypärään tai muihin hengitykseen liittyviin alkuperäisiin osiin ei saa tehdä muutoksia eikä niitä saa irrottaa, ellei valmistaja suosittele sitä. Älä käytä maalia, liuottimia, liimoja tai tarroja.

Uuden visiirin kiinnittäminen

Poista vanha visiiri poistamalla ensin valkoinen nasta visiirin pidikkeen keskeltä (A) ja irrota visiiri. Kiinnitä uusi visiiri asettamalla ensin visiirin molemmissa päissä olevat reiät visiirin pidikkeen tappeihin. Paina visiiri paikalleen painamalla sitä kevyesti sitä edestä. Kiinnitä sitten valkoinen nasta uudelleen siten, että se menee sekä visiirin pidikkeen että visiirin keskireiän läpi.



Pää-/kasvotiivisteiden poisto/vaihto

Pää-/kasvotiiviste on kiinnitetty tarranauhalla. Vaihda se seuraavalla tavalla: -

- Aseta kypärä tasaiselle alustalle, irrota letkuyksikkö ilmanavasta pitämällä ilmanavaa tiukasti paikallaan ja kiertämällä bajonettikiinnikettä vastapäivään.
- Irrota vanha pää-/kasvotiiviste tarranauhasta.
- Kiinnitä pää-/kasvotiiviste tarranauha kypärän tarranauhaan. Aloita keskipisteestä ja seuraa kypärän reunoja ja varmista, että kiinnityskohta on tasainen ja ettei siinä ole taitteita.

024-001-911 Rev B ConceptAir 07/2019

Euroopan parlamentin ja neuvoston asetus (EU) 2016/425 henkilönsuojaimista tai neuvoston direktiivi 89/686/ETY henkilönsuojaimia koskevan jäsenvaltioiden lainsäädännön lähentämisestä: EU-/EY-tyyppitarkastuksen (sovellettavuuden mukaan) suorittaja: BSI Group The Netherlands B.V., Say Building, John M. Keynesplein 9, 1066 EP, Amsterdam, Alankomaat (ilmoitettu laitos nro 2797) tai BSI Assurance UK Ltd, Kitemark Court, Davy Avenue, Knowlhill, Milton Keynes MK5 8PP, Britannia (ilmoitettu laitos numero 0086) tuotemerkinnän mukaan.

Centurion Safety Products Ltd

T: +44 (0) 1842 754266 | F: +44 (0) 1842 765590 | sales@centurionsafety.co.uk | 21 Howlett Way, Thetford, Norfolk, IP24 1HZ, England

centurionsafety.eu

Puhdistus

Puhdistusta kypärä, letku ja ilmanava pyyhkimällä kostealla (ei märällä), pehmeällä liinalla, joka on kastettu lämpimään saippuaveteen. Kuivaa pyyhkimällä pehmeällä ja kuivalla liinalla. Älä anna veden päästä ilmanavaan.

Varo naarmuttamasta suojaimia. VAROITUS: Älä puhdistu teknisillä liuottimilla tai orgaanisilla yhdisteillä. Kasvotiiviste voidaan pestä 40 °C:ssa kotitalouskäyttöön tarkoitetulla pyykinpesuaineella.

R23FUVNKIT Polykarbonaattivisiiripäänsuojain

R23FUVNKIT käännettävä visiiri. Siihen syötetään ilmaa vyötärölle kiinnitettävästä virtalähteestä vahvistetun PVC-kierreletkun ja kevyen sisäisen ilmanavan kautta. Ilma johdetaan visiirialueen yläosaan, mikä vähentää huurtumista mahdollisimman paljon. Ilma suunnataan hengitysalueelle.

R23FUVNKIT on tarkoitettu käytettäväksi paikoissa, joissa on määritetty hengitysvaara ja käyttäjä tarvitsee pään, kasvojen ja silmien suojausta. Kasvojen-/silmiensuojus on suunniteltu suojaamaan iskuilta ja lentäviltä kappaleilta.

Poista suojakalvo visiirin ulkopuolelta ennen käyttöä.

Tarkasta visiiri ja varmista, että visiirissä, otsasuojassa, päänsuojassa, kasvotiivisteessä tai letkussa ei ole näkyviä vaurioita.

Pukeminen

Ennen kuin puet visiirin päällesi, liitä letku visiiriin ja virtalähteeseen ja laita vyötäröhihna kiinni edessä olevalla kiinnityssoljella.

Tarkasta, että sisäisen ilmanavan etuosasta tulee ilmaa. Pue visiiri yllesi ja säädä päälakihihna, jotta se istuu miellyttävästi ja pääpanta on korvien yläpuolella.

Säädä päähihna oikeaan kokoon käyttämällä takana olevaa säätöpyörää. Käännä visiiri alas ja vedä kasvotiiviste leuan alle, jotta se on tiiviisti kasvoja vasten.

Vedä päänsuojain alas siten, että se peittää otsasuojan reunat visiirin liitoskohdassa. Paina päätiiviste otsasuojan takareunan alle liitoskohdassa, jotta se on mahdollisimman tiiviisti päänsuojuksen ja kasvotiivisteiden välissä.

Uuden visiirin kiinnittäminen

Visiiri täytyy vaihtaa, kun se naarmuuntuu tai lommoontuu.

Jos haluat irrottaa visiirin, irrota ensin kolme etunastaa työntämällä niitä ulospäin sisältä.

Taivuta sitten visiirin sivut pois otsasuojasta painamalla visiiriä ja irrota visiiri.

Kiinnitä uusi visiiri asettamalla visiirin molemmissa päissä olevat reiät otsasuojaan.

Ohjaa visiiri uraan otsasuojassa ja paina visiirin etuosaa kevyesti, jotta se kääntyy keskuspidiketapin yli, kunnes se asettuu visiirin keskireikään.

Varmista, että kaikki pidiketapit ovat täysin paikallaan visiirin rei'issä. Kiinnitä kaksi valkoista nastaa takaisin otsasuojan etuosaan otsasuojan ja visiirin läpi.

Huomautus: Päänsuojus, kasvotiiviste, ilmaletku tai ilmanava täytyy vaihtaa, jos ne vaurioituvat.

Pää-/kasvotiivisteiden poisto/vaihto

Pää-/kasvotiiviste on kiinnitetty tarranauhalla. Vaihda se seuraavalla tavalla: -

1. Aseta kypärä tasaiselle alustalle, irrota letkuyksikkö ilmanavasta pitämällä ilmanavaa tiukasti paikallaan ja kiertämällä bajonettikiinnikettä vastapäivään.
2. Irrota vanha pää-/kasvotiiviste tarranauhasta.
3. Kiinnitä pää-/kasvotiivisteiden tarranauha kypärän tarranauhaan. Aloita keskipisteestä ja seuraa kypärän reunoja ja varmista, että kiinnityskohta on tasainen ja ettei siinä ole taitteita.

Hikinauhan/pääpehmusteen poisto/vaihto

Hikinauha ja pääpehmuste voidaan vaihtaa helposti.

Hikinauhan vaihtaminen: -

1. Irrota kaksi ¼-kierrepulttia ilmanavasta.
2. Poista vanha hikinauha.
3. Aseta uuden hikinauhan 4 lävistysreikää pääpannan neljään kiinnitysulokkeeseen.
4. Aseta kaksi ¼-kierrepulttia ilmanavaan ja kiristä.
5. Taita hikinauha pääpannan päälle ja aseta kiinnitysulokkeisiin.

Puhdistus

Puhdistusta visiiri, otsasuojat ja letku pyyhkimällä kostealla (ei märällä), pehmeällä liinalla, joka on kastettu lämpimään saippuaveteen. Kuivaa pyyhkimällä pehmeällä ja kuivalla liinalla. Älä anna veden päästä ilmanavaan. VAROITUS: Älä puhdistu teknisillä liuottimilla tai orgaanisilla yhdisteillä. Kasvo- ja päätiiviste voidaan pestä 40 °C:ssa kotitalouskäyttöön tarkoitetulla pyykinpesuaineella.

R23AWH9/13KIT – hitsauskypäräpäänsuojain jossa automaattisesti tummuva hitsaussuodatin

R23AWH9/13KIT on automaattisesti tummuva hitsauskypärä. Siihen syötetään ilmaa vyötärölle kiinnitettävästä virtalähteestä vahvistetun PVC-kierreletkun ja kevyen sisäisen ilmanavan kautta. **R23AWH9/13KIT** on tarkoitettu käytettäväksi paikoissa, joissa on määritetty hengitysvaara ja käyttäjä tarvitsee pään, kasvojen ja silmien suojausta. Hitsauskypärä on suunniteltu suojaamaan ultravioletti-/infrapunasäteilyltä, pienhiukkasilta ja hitsauskipinöiltä.

Hitsauskypärässä on automaattisesti tummuva hitsaussuodatin (ADF). Suodatin on läpinäkyvä ennen hitsausta, jotta käyttäjät voivat havainnoida työpintaa selvästi. Kun valokaari syttyy, suodatin tummuu automaattisesti noin 0,08 millisekunnissa. Kun valokaari sammuu, suodattimesta tulee taas läpinäkyvä. Käyttäjä voi asettaa kytkentäajan tummasta valoisaan 0,1–0,9 sekuntiin. Hitsauskypärässä on jatkuvasti tummuva säätöyksikkö, joten käyttäjä voi valita tummuusasteen alueelta 5–13.

Hitsauskypärä antaa käyttäjille pysyvän ja kokonaisvaltaisen, jopa DIN15-mukaisen suojan UV-/IR-säteilyä vastaan jopa läpinäkyvinä. Virta saadaan aurinkokennoista ja vaihdettavasta paristosta. Automaattisesti tummuvassa hitsaussuodattimessa on 4 valokennosarjaa, jotka tunnistavat valokaaren. Lisäksi naamarissa on myös ulkoinen suojalevy, joka on valmistettu suurpolymeerimateriaaleista. Levy on veden-, lämmön- ja roiskekestävä, mikä takaa pitkän käyttöiän.

Poista suojakalvo roiskelinssin ulkopuolelta ja ADF-suodattimen sisäpuolelta ennen ensimmäistä käyttöä.

Tarkasta hitsauskypärä ja varmista, että kypärässä, linssissä, päänsuojassa, kasvotiivisteessä tai letkussa ei ole näkyviä vaurioita.

VAROITUS

Kaikki ohjeet täytyy lukea ja omaksua ennen käyttöä.

- Varmista, että hitsauskypärän linssin tummuusasteen numero on oikea käyttökohteesi varten.
- Nämä kypärät ja linssit eivät sovellu hitsaukseen pään yläpuolella, laserhitsaukseen eivätkä laserleikkaukseen.
- Hitsauskypärä on suunniteltu suojaamaan silmiä ja kasvoja kipinöiltä, roiskeilta ja haitalliselta säteilyltä normaaleissa hitsausolosuhteissa.
- Tämä kypärä ei suojaa räjähteiltä tai syövyttäviltä nesteiltä. Koneen suoja tai silmien roiske suoja täytyy käyttää, jos nämä vaarat ovat olemassa.

024-001-911 Rev B ConceptAir 07/2019

Euroopan parlamentin ja neuvoston asetus (EU) 2016/425 henkilönsuojaimista tai neuvoston direktiivi 89/686/ETY henkilönsuojaimia koskevan jäsenvaltioiden lainsäädännön lähentämisestä: EU-/EY-tyyppitarkastuksen (sovellettavuuden mukaan) suorittaja: BSI Group The Netherlands B.V., Say Building, John M. Keynesplein 9, 1066 EP, Amsterdam, Alankomaat (ilmoitettu laitos nro 2797) tai BSI Assurance UK Ltd, Kitemark Court, Davy Avenue, Knowlhill, Milton Keynes MK5 8PP, Britannia (ilmoitettu laitos numero 0086) tuotemerkinnän mukaan.

Centurion Safety Products Ltd

T: +44 (0) 1842 754266 | F: +44 (0) 1842 765590 | sales@centurionsafety.co.uk | 21 Howlett Way, Thetford, Norfolk, IP24 1HZ, England

centurionsafety.eu



- Vältä työskentelyasentoja, joissa kehon suojaamattomat osat voivat altistua kipinöille, roiskeille, suoralle ja/tai heijastuneelle säteilylle. Käytä sopivaa suojausta, jos altistumista ei voi välttää.
- Tarkasta valotiivys ennen jokaista käyttöä. Tarkasta ennen jokaista käyttöä, että suojalevyt ovat puhtaat ja että linssin etuosan tunnistimet eivät ole peittyneet likaan.
- Tarkasta ennen jokaista käyttöä kaikki käyttöosat kulumisen ja vaurioiden varalta. Kaikki naarmuuntuneet, haljenneet tai lommoiset osat täytyy vaihtaa välittömästi.
- Älä tee hitsauslinssiin tai -kypärään muita muutoksia kuin tässä käyttöoppaassa kuvattuja muutoksia. Älä käytä muita kuin tässä käyttöoppaassa määritettyjä varaosia. Luvattomat muutokset ja varaosat mitätöivät takuun ja altistavat käyttäjän henkilökohtaisen loukkaantumisen vaaralle.
- Jos tämä linssi ei tummene valokaaren syttyessä, lopeta hitsaus välittömästi.
- Älä käytä liuotinaiteita mihinkään linssin tai kypärän komponentteihin.
- Suositeltu käyttölämpötila-alue hitsauslinseille on -10 °C...65 °C. Älä käytä tätä laitetta näiden lämpötilarajojen ulkopuolella.

Pukeminen

Ennen kuin puuet hitsauskypärän yllesi, liitä letku visiiriin ja virtalähteeseen ja laita vyötäröhihna kiinni edessä olevalla kiinnityssoljella. Tarkasta, että sisäisen ilmanavan etuosasta tulee ilmaa. Varmista, että automaattisesti tummuvan hitsaussuodattimen tunnistimet ovat puhtaita eivätkä ole peittyneet. Varmista, että automaattisesti tummuvan hitsaussuodattimen pidike on tiukasti paikallaan ja että automaattisesti tummuvan hitsaussuodattimen kiinnike on suljettu.

Pue hitsauskypärä yllesi ja säädä päälakihihna, jotta se istuu miellyttävästi ja pääpanta on korvien yläpuolella. Säädä päähihna oikeaan kokoon käyttämällä takana olevaa säätöpyörää. Käännä hitsauskypärä alas ja vedä kasvotiiviste leuan alle, jotta se on tiiviisti kasvoja vasten. **Kiristä kiristysnauha.**

Hitsauskypärän sisällä olevan pääpinnan kulmaa voidaan säätää, jotta näkymä on optimaalinen.

Pää-/kasvotiivisteiden poisto/vaihto

Pää-/kasvotiiviste on kiinnitetty hitsauskypärään tarranauhalla. Vaihda se seuraavalla tavalla: -

1. Aseta kypärä tasaiselle alustalle, irrota letkuyksikkö ilmanavasta pitämällä ilmanavaa tiukasti paikallaan ja kiertämällä bajonettikiinnikettä vastapäivään.
2. Irrota vanha pää-/kasvotiiviste tarranauhasta.
3. Kiinnitä pää-/kasvotiiviste tarranauha kypärän tarranauhaan. Aloita keskipisteestä ja seuraa kypärän reunoja ja varmista, että kiinnityskohta on tasainen ja ettei siinä ole taitteita.

Hikinauhan/pääpehmusteen poisto/vaihto

Hikinauha ja pääpehmuste voidaan vaihtaa helposti.

Hikinauhan vaihtaminen: -

1. Irrota kaksi ¼-kierrepulttia ilmanavasta.
2. Poista vanha hikinauha.
3. Aseta uuden hikinauhan 4 lävistysreikää pääpinnan neljään kiinnitysulokkeeseen.
4. Aseta kaksi ¼-kierrepulttia ilmanavaan ja kiristä.
5. Taita hikinauha pääpinnan päälle ja aseta kiinnitysulokkeisiin.

Pääpehmusteen vaihtaminen: -

1. Poista vanha pääpehmuste ja puhdista tarranauhan pinta likajäämistä.
2. Laita uusi pääpehmuste paikalleen, aseta se pääpinnan keskelle ja paina tarranauha tiukasti paikalleen.

Puhdistus

Puhdista hitsauskypärä, kasvotiiviste ja letku pyyhkimällä kostealla (ei märällä), pehmeällä liinalla, joka on kastettu lämpimään saippuaveteen. Puhdista linssit sisä- ja ulkopuolelta varovaisesti, sillä ne voivat naarmuuntua. Kuivaa pyyhkimällä pehmeällä ja kuivalla liinalla ja anna ilman kuivata ne. Älä anna veden päästä ilmanavaan. VAROITUS: Älä puhdista teknisillä liuotimilla tai orgaanisilla yhdisteillä.

Automaattisesti tummuva hitsaussuodatin



Hyväksyntämerkintöjen selitykset:

XA-1021 A	utomaattisesti tummuvan hitsaussuodattimen nimi
CSS	Valmistajan merkintä
4/5-9/9-13	Käytettävissä olevat tummuusasteet (katso käyttökohteet suositeltujen sävyjen taulukosta)
1/1/1/1/379	Automaattisesti tummuvan hitsaussuodattimen sertifiointin selostus
	1 = optinen luokka
	1 = valon diffuusion luokka
	1 = yhtenäisyysluokka
	1 = luokka ominaisuuksien riippumiselle tulokulmasta
	379 = EN 379 -standardi

Vaihda ADF-linssi siirtämällä alhaalla oleva kytkin avausasentoon ja vetämällä linssi hitaasti pois kypärästä. Paristo ja ulkoinen kytkinlaite täytyy poistaa painamalla varovasti ylhäällä olevaa kiinnikettä ja vapauttamalla akkuyksikön alla oleva lukitsin.

Hitsaus-/hionta-asetus

Aseta hitsaus-/hiontatilan kytkin vastaavaan asentoon sen mukaisesti, aiotko hitsata vai hioa.

Tummuusasteen asetus

Valitse hitsausstilassa EN 379 -mukainen tummuusaste (ks. alla oleva taulukko).

Valoherkkyyden/viiveen asettaminen:

- a. Aseta valoherkkyyden valitsin asentoon HI (maksimivaloherkkyys).
- b. Kierrä valoherkkyyden valitsinta hitaasti vastapäivään, kunnes automaattisesti tummuva hitsaussuodatin ei enää tummene. LO asetus sopii hitsaukselle suurella virran voimakkuudella sekä hitsaukseen kirkaissa olosuhteissa. HI-asetus sopii hitsaukselle matalalla virran voimakkuudella, huonoihin valaistusolosuhteisiin sekä TIG-hitsaukseen. Suosittelemme käyttämään tässä automaattisesti tummuvassa hitsaussuodattimessa korkeampaa herkkyysasetusta.
- c. Aseta tarpeen mukaan tummasta kirkaaseen siirtymisen viive (0,1 s MIN-arvosta 0,9 s MAX-arvoon). MIN-asetus sopii kiskohitsaukseen tai tuotantohitsaukseen, jossa on lyhyet hitsit. MAX-asetus sopii ihanteellisesti hitsaukseen suurella virran voimakkuudella, jolloin hitsauksessa syntyy voimakasta jälkiheikua.

024-001-911 Rev B ConceptAir 07/2019

Euroopan parlamentin ja neuvoston asetus (EU) 2016/425 henkilönsuojaimista tai neuvoston direktiivi 89/686/ETY henkilönsuojaimia koskevan jäsenvaltioiden lainsäädännön lähentämisestä: EU-/EY-tyyppitarkastuksen (sovellettavuuden mukaan) suorittaja: BSI Group The Netherlands B.V., Say Building, John M. Keynesplein 9, 1066 EP, Amsterdam, Alankomaat (ilmoitettu laitos nro 2797) tai BSI Assurance UK Ltd, Kitemark Court, Davy Avenue, Knowlhill, Milton Keynes MK5 8PP, Britannia (ilmoitettu laitos numero 0086) tuotemerkinnän mukaan.

Centurion Safety Products Ltd

T: +44 (0) 1842 754266 | F: +44 (0) 1842 765590 | sales@centurionsafety.co.uk | 21 Howlett Way, Thetford, Norfolk, IP24 1HZ, England

centurionsafety.eu



Tärkeimmät varaosat

Kuvaus	Koodi
Varaosa kypärä-/visiiripäänsuojain	R23CHFUV
Varaosa visiiripäänsuojain	R23FUVN
Varaosa hitsauskypäräpäänsuojain	R23AWH9/13
Varaosa ADF-hitsauslinssi	R23ADF9/13
Varaosa hitsausroiske-suodatin (10)	R23OLCH
Varaosa hitsausvälinsuojin suojuus (10)	R23ILCH
Proban-letkunsuojus	R23PHS
Visiirinsuojukset (kypärä/visiiri- ja visiiripäänsuojaimet) (50)	R23VC50N
Hikinauhhat kertakäyttöiset (visiiri) (10)	R23SB
Hikinauha + 2 pultti (hitsausvisiiri)	R23SBAWH
Varaosa kasvotiiviste (kypärä/visiiri)	R23CHFUVF/PN
Varaosa kasvotiiviste (visiiri)	R23FN
Varaosa kasvotiiviste (hitsauskypärä)	R23CAWF
Varaosa polykarbonaattiviisiiri kypärä-/visiiripäänsuojukselle	R23CHFUVVP
Varaosa polykarbonaattiviisiiri ja tarranauha visiiripäänsuojukselle	R23VN
Varaosa letkuyksikkö (0,85 m)	R23HAHD
Letkuyksikkö (1 m suurteho)	R23HAHDL

Suojakypärän ja visiirin hyväksyntöjen selostus

Suojakypärä on sertifioitu seuraavien standardien mukaan:

EN 397

MM	Suoja sulametalloiskeita vastaan
-40 °C	Iskunvaimennus matalissa lämpötiloissa
LD	Suoja sivuttaista muodonmuutosta vastaan
440 V AC	Sopii käytettäväksi enintään 440 V AC jännitteillä
1000 V AC	Sopii käytettäväksi enintään 1000 V AC jännitteillä (EN50365)

Kypärävisiirin ja visiiripäänsuojuksen visiirit on sertifioitu seuraavien standardien mukaan:

EN 166

1	Korkein optinen luokka
B	Iskunkestävyys (120 m/s)
3	Nesteroiskeiden suoja
9	Sulametalloiskeiden suoja

Säilytys (kaikki päänsuojaimet)

Kaikki päänsuojaimet täytyy säilyttää alkuperäispakkauksessa puhtaassa ja kuivassa ympäristössä -5 °C...+55 °C lämpötilassa, jossa suhteellinen kosteus on < 90 %. Ihanteellinen säilytysolosuhte on 5°C...35°C ja suhteellinen kosteus < 60 %. Kuljetus alkuperäispakkauksessa. Jos tuote säilytetään oikeissa olosuhteissa, sillä on 5 vuoden varastointiaika.

Takuu

Kaikkien ConceptAir-päänsuojaimien materiaalien ja tuotteen valmistuksen virheettömyys on varmistettu. Jos sellaisia virheitä muodostuu 12 kuukauden kuluttua ostotapahtumasta, Centurion Safety Products Ltd korjaa tai vaihtaa päänsuojaimen harkintansa mukaan veloituksetta.

WEEE-direktiivi



WEEE (liittyy VAIN virtalähteeseen, akkuun ja laturiin)

NÄITÄ TUOTTEITA EI SAA HÄVITTÄÄ TALOUSJÄTTEEN MUKANA

- Tässä tuotteessa, sen pakkauksissa tai ohjeissa näkyvä pyörillä varustettu jäteastia, jonka päällä on risti ja alla on paksu palkki, tarkoittaa, että tuotetta koskee Euroopan yhteisön direktiivi 2002/96/EY, joka käsittelee sähkö- ja elektroniikkalaiteromun oikeaa käsittelyä (WEEE).
- WEEE-tuotetta ei saa hävittää talousjätteen mukana, ja se täytyy kerätä ja hävittää erikseen. Kansallisten ja paikallisten säännösten mukaisia sopivia julkisia tai yksityisiä jätteenkeräysjärjestelmiä täytyy käyttää.
- Tuote saattaa sisältää aineita, jotka voivat vahingoittaa ympäristöä tai ihmisen terveyttä, jos niitä ei hävitetä oikein.

Lisätietoja EU-/EY-vaatimustenmukaisuusvakuutuksesta (sovellettavuuden mukaan) löytyy verkkosivuiltamme osoitteesta centurionsafety.eu

024-001-911 Rev B ConceptAir 07/2019

Euroopan parlamentin ja neuvoston asetus (EU) 2016/425 henkilönsuojaimista tai neuvoston direktiivi 89/686/ETY henkilönsuojaimia koskevan jäsenvaltioiden lainsäädännön lähentämisestä: EU-/EY-tyyppitarkastuksen (sovellettavuuden mukaan) suorittaja: BSI Group The Netherlands B.V., Say Building, John M. Keynesplein 9, 1066 EP, Amsterdam, Alankomaat (ilmoitettu laitos nro 2797) tai BSI Assurance UK Ltd, Kitemark Court, Davy Avenue, Knowlhill, Milton Keynes MK5 8PP, Britannia (ilmoitettu laitos numero 0086) tuotemerkinnän mukaan.

Centurion Safety Products Ltd

T: +44 (0) 1842 754266 | F: +44 (0) 1842 765590 | sales@centurionsafety.co.uk | 21 Howlett Way, Thetford, Norfolk, IP24 1HZ, England

centurionsafety.eu



A fejevédő egység használata előtt mindenképpen olvassa el ezt az útmutatót és a hajtóegység útmutatóját.

A lenti táblázatban a tanúsított ConceptAir rendszerek és a vonatkozó jóváhagyások láthatók.

Cikkszám	Leírás	Légzésvédelmi tanúsítvány	Légzésvédelem (NPF/APF)	Fej- és szemvédelmi tanúsítvány
R23CHFUVKIT	PAPR sisak ellenzővel	EN 12941:1998+A2:2008 TH2P	NPF 50	EN 397 és EN 166
R23FUVNKIT	PAPR ellenző	EN 12941:1998+A2:2008 TH2P	NPF 50	EN 166
R23AWH9/13KIT	PAPR hegesztősisak	EN 12941:1998+A2:2008 TH2P	NPF 50	EN 166 és EN 175

A névleges védelmi tényezőt (Nominal Protection Factor, NPF) az EN12941 szabvány szerinti laboratóriumi tesztek során határozták meg. Az adott országokra vonatkozó védelmi tényezővel kapcsolatos információkért lásd az EN529 szabványt.

FIGYELEM

- A fejevédő egységet megfelelően kell felhelyezni és karbantartani, ellenkező esetben a légzésvédelem korlátozott.
- Ha az ellenző fel van hajtva, a légzésvédelem nem biztosított.
- Az ellenző és a csuklya nyújtotta légzésvédelem nagy szél esetén csökkenhet.
- Abban a valószínűtlen esetben, amikor a hajtóegység ki van kapcsolva vagy nem működik, a készülék nem vagy csak nagyon korlátozott légzésvédelmet biztosít.
- Kikapcsolt állapotban gyorsan megtörténhet a szén-dioxid felhalmozódása és az oxigén csökkenése.
- A védőeszközök összeállítását és felhelyezését mindenképpen tiszta levegőjű környezetben kell elvégezni.]
- A viselőnek el kell hagynia a szennyezett területet, majd a légzésvédő levétele előtt a testéről és ruházatáról el kell távolítani minden szennyeződést.

R23CHFUVKIT—Sisak polikarbonát ellenzős fejevédő egységgel

Az **R23CHFUVKIT** sisak felhajtható ellenzővel rendelkezik, amelybe a derékhoz rögzített hajtóegység segítségével áramlik a levegő egy spirál erősítésű PVC tömlőn és egy könnyű belső légcsatornán keresztül. A levegő az ellenző tetejéhez áramlik, ami maximális párasodásmentesítést biztosít, majd megérkezik a légzési zónába. Az **R23CHFUVKIT** alkalmazása olyan helyeken javasolt, ahol a légzést érintő kockázatok miatt a felhasználónak fej-, arc- és szemvédő eszközöket kell használnia. Az ipari védősisakot arra tervezték, hogy megóvja viselőjét a leeső tárgyaktól és az ezek okozta fejsérülésektől. Az arc- és szemvédő eszközt arra tervezték, hogy védjen az ütésektől és a repülő törmeléktől.

Használat előtt távolítsa el a védőborítást az ellenző külsejéről.

Vizsgálja meg az ellenzőt és győződjön meg arról, hogy nem látható károsodás magán az ellenzőn, a homlokvédőn, a fejevédőn, az arcvédőn és a tömlőn.

Vizsgálja meg a fejevédő elemet és győződjön meg arról, hogy nem látható károsodás a sisakon, az ellenzőegységen, a fejevédőn, az arcvédőn és a tömlőn.

Felhelyezés

A sisak felhelyezése előtt csatlakoztassa a tömlőt a sisakra és a hajtóegységhez, majd erősítse fel a derékszíjat az elülső csat segítségével.

Ellenőrizze, hogy távozik-e levegő a sisak belső légcsatornájának elejétől, és állítsa be megfelelően a fejkosár szíját úgy, hogy a fejkosár kényelmesen illeszkedjen a fejre.

Vegye fel a sisakot, és szorítsa meg a fejpántot. Megjegyzés: A fej megfelelő védelme érdekében a sisaknak a felhasználó fejméretéhez kell illeszkednie, vagy ahhoz kell igazítani azt. A biztonságos és kényelmes illeszkedés érdekében állítsa be a sisakot a hátulján lévő fejpánt segítségével. A sisakot úgy tervezték, hogy a lökés energiáját a sisakhéj és a sisakosár vagy a védőbélés részleges deformálódásával vagy károsodásával nyelje el; és bár előfordulhat, hogy az ilyen károsodásnak nincs látható nyoma, ha a sisakot erős ütés érte, le kell cserélni. Hajtsa le az ellenzőt és húzza az arcvédőt az álla alá úgy, hogy az kényelmesen illeszkedjen az arcra.

Karbantartás

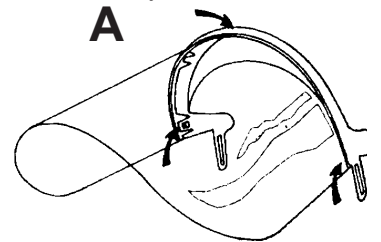
Használat előtt ellenőrizze, hogy a termék minden része megfelelően működik-e és nem károsodott-e. Kétség esetén forduljon a gyártóhoz.

Cserélje gyakran az ellenző takaróelemeit, valamint az ellenzőt, ha az karcosodott vagy károsodott.

Egy másik rendszeresen elvégzendő feladat a sisakhéj, a tömlő és a légcsatorna tisztítása, valamint szükség esetén az arcvédő cseréje. Ne módosítsa vagy távolítsa el a sisak eredeti alkatrészeit és a többi légzésvédelmi alkatrészt, ha az nem szerepel a gyártó ajánlásai között. Ne használjon a terméken festéket, oldószert, ragasztót vagy öntapadó címkét.

Új ellenző felszerelése

A régi ellenző eltávolításához először vegye ki az ellenző tartóelemének közepén lévő fehér ütközőt (A), majd vegye le az ellenzőt. Új ellenző felszereléséhez először illessze a védőelem két oldalán lévő nyílásokat a védőelem tartóelemén lévő pecekhez. Enyhén nyomja le a védőelem elejét, és pattintsa azt a helyére. Ezután helyezze vissza a fehér ütközőt úgy, hogy az áthaladjon az ellenző tartóelemén és az ellenző középső nyílásán is.



Fej- és arcvédő leszerelése/cseréje

A fej- és arcvédő tépőzáras rögzítésű. A cseréjéhez: -

- Helyezze a sisakot sík felületre. Vegye le a tömlőegységet a légcsatornáról: ehhez tartsa erősen a légcsatornát, és forgassa el a záróelemet az óramutató járásával ellentétes irányba.
- Csatolja le a régi fej- és arcvédőt a tépőzárról.
- Csatlakoztassa a fej- és arcvédő tépőzárját a sisak tépőzárjához úgy, hogy középről indulva kövesse a sisak körvonalát. Ügyeljen, hogy az illesztés pontos legyen, gyűrődések nélkül.

Tisztítás

A sisak, a tömlő és a légcsatorna tisztításához törölje át azokat nedves (nem vizes) és puha ruhával, melyet előzőleg langyos szappanos vízbe mártott.

Törölje szárazra puha és száraz ruhával. **Ügyeljen, hogy ne kerüljön víz a légcsatornába.** Ügyeljen arra, hogy ne karcolja meg a terméket. **FIGYELEM: A tisztításhoz ne használjon kereskedelmi forgalomban kapható oldószert vagy szerves vegyületeket.** Az arcvédő 40 °C-on, háztartási mosószerrel mosható.

024-001-911 Rev B ConceptAir 07/2019

Egyéni védőeszközökre (PPE) vonatkozó 2016/425 számú (EU) rendelet vagy az egyéni védőeszközökről szóló 89/686/EGK irányelv: EU/EK (adott esettől függően) típusvizsgálatot végezte: BSI Group The Netherlands B.V., Say Building, John M. Keynesplein 9, 1066 EP, Amsterdam, Hollandia (bejelentett szervezet azonosító száma: 2797) vagy BSI Assurance UK Ltd, Kitemark Court, Davy Avenue, Knowlhill, Milton Keynes MK5 8PP, Egyesült Királyság (bejelentett szervezet azonosító száma: 0086), aszerint, ahogy a termék címkéjén szerepel.

Centurion Safety Products Ltd

T: +44 (0) 1842 754266 | F: +44 (0) 1842 765590 | sales@centurionsafety.co.uk | 21 Howlett Way, Thetford, Norfolk, IP24 1HZ, England

centurionsafety.eu

R23FUVNKIT polikarbonát ellenzős fejevdő egység

Az **R23FUVNKIT** felhajtható ellenzőbe a derékhoz rögzített hajtóegység segítségével áramlik a levegő egy spirál erősítésű PVC tömlőn és egy könnyű belső légcsontrán keresztül. A levegő az ellenző tetejéhez áramlik, ami maximális párasodásmentesítést biztosít, majd megérkezik a légzési zónába. Az **R23FUVNKIT** alkalmazása olyan helyeken javasolt, ahol a légzést érintő kockázatok miatt a felhasználónak arc- és szemvédő eszközöket kell használnia. Az arc- és szemvédő eszközöket arra tervezték, hogy védjen az ütésekől és a repülő törmelékől.

Használat előtt távolítsa el a védőborítást az ellenző külsejéről.

Vizsgálja meg az ellenzőt és győződjön meg arról, hogy nem látható károsodás magán az ellenzőn, a homlokvédőn, a fejevdőn, az arcvédőn és a tömlőn.

Felhelyezés

Az ellenző felhelyezése előtt csatlakoztassa a tömlőt az ellenzőre és a hajtóegységhez, majd erősítse fel a derékszíjat az elülső csat segítségével. Ellenőrizze, hogy távozik-e levegő a belső légcsontra elejétől. Helyezze fel az ellenzőt, és állítsa be a fejhevedert úgy, hogy kényelmesen illeszkedjen a fejpánttal együtt a fülek fölött. Állítsa be a fejkosár méretét a hátsó szorítógombbal. Hajtsa le az ellenzőt és húzza az arcvédőt az álla alá úgy, hogy az kényelmesen illeszkedjen az arcra. Húzza le a fejevdőt úgy, hogy takarja a homlokvédő szélét az ellenzővel közös rész mentén. Hajtsa vissza a fejnél lévő tömítést a homlokvédő hátsó szélé alá a forgáspontnál úgy, hogy a fejevdő és az arcvédő a lehető legközelebb essen egymáshoz.

Új ellenző felszerelése

A karcolódott vagy sérült felületű ellenzőt cserélni kell.

Az ellenző levételéhez először szerelje ki a három elülső ütközőt úgy, hogy belülről kifelé nyomja azokat.

Ezután nyomja be az ellenzőt úgy, hogy az oldalai eltávolodjanak a homlokvédőtől, majd vegye le.

Új ellenző felszereléséhez illessze a két oldalán lévő nyílásokat a homlokvédőbe.

Illessze a védőelemet a homlokvédőn lévő nyílásba, és nyomja be enyhén az ellenző elejét úgy, hogy a középső tartóepecek felé hajoljon, majd illessze be az ellenző középső nyílásába.

Ügyeljen arra, hogy az összes tartóepecek tökéletesen illeszkedjen az ellenző nyílásaiba. Helyezze vissza a két fehér ütközőt a homlokvédő elülső részére a homlokvédőn és az ellenzőn keresztül. Megjegyzés: A sérült fejevdőt, arcvédőt, légtömlőt vagy -csatornát cserélni kell.

A fej- és arcvédő leszerelése/cseréje

A fej- és arcvédő tépőzáras rögzítésű. A cseréjéhez: -

1. Helyezze a sisakot sík felületre. Vegye le a tömlőegységet a légcsontráról: ehhez tartsa erősen a légcsontrát, és forgassa el a záróelemet az óramutató járásával ellentétes irányba.
2. Csatolja le a régi fej- és arcvédőt a tépőzárról.
3. Csatlakoztassa a fej- és arcvédő tépőzárját a sisak tépőzárjához úgy, hogy középről indulva kövesse a sisak körvonalát. Ügyeljen, hogy az illesztés pontos legyen, gyűrődések nélkül.

Izzadságfogó fejpánt/fejtámasztó bélés leszerelése/cseréje

Az izzadságfogó fejpánt és a fejtámasztó bélés nagyon egyszerűen cserélhető.

Az izzadságfogó fejpánt cseréjéhez: -

1. Szerelje ki a 2 db ¼ fordulatos csavart a légcsontrából.
2. Vegye ki a régi izzadságfogót.
3. Illessze a csere izzadságfogó 4 gyári nyílását a fejpánt 4 rögzítőfülére.
4. Szereljen 2 db ¼ fordulatos csavart a légcsontrába, és húzza meg.
5. Hajtsa az izzadságfogót a fejpántra és rögzítse a fülekre.

Tisztítás

Az ellenző, a homlokvédő és a tömlő tisztításához törölje át azokat nedves (nem vizes) és puha ruhával, melyet előzőleg langyos szappanos vízbe mártott.

Törölje szárazra puha és száraz ruhával. **Ügyeljen, hogy ne kerüljön víz a légcsontrába. FIGYELEM: A tisztításhoz ne használjon kereskedelmi forgalomban kapható oldószert vagy szerves vegyületeket.** Az arc- és fejevdő 40 °C-on, háztartási mosószerrel mosható.

R23AWH9/13KIT – ADF hegesztősisak-egység

Az **R23AWH9/13KIT** automatikusan sötétedő hegesztősisak, amelybe a derékhoz rögzített hajtóegység segítségével áramlik a levegő egy spirál erősítésű PVC tömlőn és egy könnyű belső légcsontrán keresztül. Az **R23AWH9/13KIT** alkalmazása olyan helyeken javasolt, ahol a légzést érintő kockázatok miatt a felhasználónak arc- és szemvédő eszközöket kell használnia. A hegesztősisak véd az UV- és infravörös sugárzás, kis sebességű részecskék és a hegesztési szikrázás ellen.

A hegesztősisak automatikusan sötétedő hegesztőszűrővel (ADF) rendelkezik. A szűrő hegesztés előtt áttetsző, így a kezelő tisztán látja a munkafelületet. Ívhúzás esetén a szűrő körülbelül 0,08 ms alatt automatikusan besötétedik. Az ív megszűnésekor a szűrő ismét áttetsző. A kezelő a sötét és világos lencse közötti váltás idejét 0,1 és 0,9 másodperc között állíthatja be. A hegesztősisak folyamatos sötétedésállító egységgel rendelkezik, így a kezelő tetszőleges sötétséget választhat ki az 5-ös és 13-as fokozat között.

A hegesztősisak legfeljebb DIN15 szabvány szerinti folyamatos és átfogó védelmet nyújt az UV- és infravörös sugárzás ellen akár áttetsző beállítás mellett is. Energiaellátását napenergia és cserélhető akkumulátor biztosítja. Az automatikusan sötétedő hegesztőszűrő 4 fotoszenzor-készlettel van felszerelve az elektromos ív észlelése érdekében. Emellett a sisak külső védőlemezzel rendelkezik, amely nagy polimertartalmú anyagokból készül. A lemez kopásálló, hőálló és nedvességtaszító, így hosszú élettartamú.

Az első használat előtt távolítsa el a védőborítást a védőlencse külsejéről és az automatikusan sötétedő hegesztőszűrő belsejéről.

Vizsgálja meg a hegesztősisak-egységet, és győződjön meg arról, hogy nem látható károsodás a sisakon, a lencséken, a fejevdőn, az arcvédőn és a tömlőn.

FIGYELEM

Használat előtt olvassa el és értelmezze az összes utasítást.

- Győződjön meg arról, hogy a hegesztősisakban lévő lencse árnyalata az elvégzendő feladatnak megfelelő árnyalat.
- Ezek a sisakok és lencsék nem alkalmasak fej fölött végzett hegesztési feladatokhoz, lézerhegesztéshez vagy lézervágáshoz.
- A hegesztősisakokat arra tervezték, hogy védjék a szemet és az arcot a szikráktól, fröccsenéstől és káros sugárzástól a szokásos hegesztési körülmények között.

024-001-911 Rev B ConceptAir 07/2019

Egyéni védőeszközökre (PPE) vonatkozó 2016/425 számú (EU) rendelet vagy az egyéni védőeszközökről szóló 89/686/EGK irányelv: EU/EK (adott esettől függően) típusvizsgálatot végezte: BSI Group The Netherlands B.V., Say Building, John M. Keynesplein 9, 1066 EP, Amsterdam, Hollandia (bejelentett szervezet azonosító száma: 2797) vagy BSI Assurance UK Ltd, Kitemark Court, Davy Avenue, Knowlhill, Milton Keynes MK5 8PP, Egyesült Királyság (bejelentett szervezet azonosító száma: 0086), aszerint, ahogy a termék címkéjén szerepel.

Centurion Safety Products Ltd

T: +44 (0) 1842 754266 | F: +44 (0) 1842 765590 | sales@centurionsafety.co.uk | 21 Howlett Way, Thetford, Norfolk, IP24 1HZ, England

centurionsafety.eu



- Ez a sisak nem nyújt védelmet robbanásveszélyes eszközök és maró folyadékok ellen. Ilyen kockázatok esetén a gépek védőelemeinek és fröccsenés ellen védő szemvédelemmel a használata kötelező.
- Kerülje azokat a munkahelyzeteket, amelyek során a test nem védett részeit szikra, fröccsenés, közvetlen és/vagy visszavert sugárzás érheti. Ha a kitettség nem elkerülhető, használjon megfelelő védőfelszerelést.
- Minden használat előtt ellenőrizze az eszköz megfelelő tömítettségét. Minden használat előtt ellenőrizze a védőlemezek tisztaságát, és azt, hogy nem takarja-e szennyeződés a lencse elején lévő érzékelőket.
- Minden használat előtt vizsgálja meg, hogy nem látható-e kopás vagy sérülés a működő részekben. A karcolódott, törött vagy sérült felületű alkatrészeket azonnal cserélni kell.
- A hegesztőlencsén és a sisakon kizárólag az ebben az útmutatóban szereplő módosítások végezhetők. Kizárólag az ebben az útmutatóban megadott pótalkatrészeket használjon. Nem engedélyezett módosítások és pótalkatrészek esetén a garancia érvényét veszti, és a felhasználó megsérülhet.
- Ha a lencse nem sötétedik ívhúzáskor, azonnal hagyja abba a hegesztést.
- Ne használjon oldószert a lencse és a sisak egyetlen részén sem.
- A hegesztőlencséhez ajánlott működési hőmérséklet -10 °C-tól 65 °C-ig terjed. Ne használja az eszközt ezen a hőmérsékleti tartományon kívül.

Felhelyezés

A hegesztősisak felhelyezése előtt csatlakoztassa a tömlőt az ellenzőre és a hajtóegységhez, majd erősítse fel a derékszíjat az elülső csat segítségével. Ellenőrizze, hogy távozik-e a levegő a belső légcsatorna elejétől. Ügyeljen, hogy az automatikusan sötétedő hegesztőszűrőn lévő érzékelők tiszták legyenek, és semmi ne takarja azokat. Győződjön meg arról, hogy az automatikusan sötétedő hegesztőszűrő tartója megfelelően van felszerelve, és a szűrő rögzítőeleme zárva van.

Helyezze fel a hegesztősisakot, és állítsa be a fejhevedert úgy, hogy kényelmesen illeszkedjen a fejpánttal együtt a fülek fölött. Állítsa be a fejkosár méretét a hátsó szorítógombbal. Hajtsa le a hegesztősisakot, és húzza az arcvédőt az álla alá úgy, hogy az kényelmesen illeszkedjen az arcra. **Szorítsa meg a húzószínort.**

Az optimális rálátás érdekében a hegesztősisakban lévő fejpánt szöge beállítható.

Fej- és arcvédő leszerelése/cseréje

A fej- és arcvédő tépőzárral rögzíthető a hegesztősisakhoz. A cseréjéhez: -

1. Helyezze a sisakot sík felületre. Vegye le a tömlőegységet a légcsatornáról: ehhez tartsa erősen a légcsatornát, és forgassa el a záróelemet az óramutató járásával ellentétes irányba.
2. Csatolja le a régi fej- és arcvédőt a tépőzárról.
3. Csatlakoztassa a fej- és arcvédő tépőzárját a sisak tépőzárjához úgy, hogy középről indulva kövesse a sisak körvonalát. Ügyeljen, hogy az illesztés pontos legyen, gyűrődések nélkül.

Izzadságfogó fejpánt/fejtámasztó bélés leszerelése/cseréje

Az izzadságfogó fejpánt és a fejtámasztó bélés nagyon egyszerűen cserélhető.

Az izzadságfogó fejpánt cseréjéhez: -

1. Szerelje ki a 2 db ¼ fordulatos csavart a légcsatornából.
2. Vegye ki a régi izzadságfogót.
3. Illessze a csere izzadságfogó 4 gyári nyílását a fejpánt 4 rögzítőfülére.
4. Szereljen 2 db ¼ fordulatos csavart a légcsatornába, és húzza meg.
5. Hajtsa az izzadságfogót a fejpántra és rögzítse a fülekre.

A fejtámasztó bélés cseréje: -

1. Vegye ki a régi támasztóbélést, és tisztítsa meg alaposan a tépőzár felületét.
2. Helyezze be az új támasztóbélést, illessze a fejpánt közepére, majd nyomja erősen a helyére a tépőzárát.

Tisztítás

A hegesztősisak, az arcvédő és a tömlő tisztításához törölje át azokat nedves (nem vizes) és puha ruhával, melyet előzőleg langyos szappanos vízbe mártott. A belső/külső lencsék tisztításakor legyen óvatos, hogy a lencsék ne karcolódjanak. Törölje szárazra puha és száraz ruhával, és hagyja teljesen megszáradni a levegőn. **Ügyeljen, hogy ne kerüljön víz a légcsatornába. FIGYELEM: A tisztításhoz ne használjon kereskedelmi forgalomban kapható oldószert vagy szerves vegyületeket.**

Automatikusan sötétedő hegesztőszűrő (ADF)



A jóváhagyási jelölések magyarázata:

XA-1021	Az ADF modell neve
CSS	A gyártó jelölése
4/5-9/9-13	Elérhető sötétségi tartományok (lásd a különböző feladatokhoz ajánlott árnyalatok táblázatát)
1/1/1/1/379	Az ADF tanúsítvány magyarázata
	1 = optikai osztály
	1 = szórt fény osztálya
	1 = homogenitási osztály
	1 = szögfüggőségi osztály
	379 = EN 379 szabvány

Az automatikusan sötétedő hegesztőszűrő lencséjének cseréjéhez egyszerűen állítsa az alsó kapcsolót kioldás állásba, majd lassan húzza el a sisaktól. Az akkumulátort és a külső kapcsolóműt ki kell szerelni: ehhez óvatosan nyomja kifelé a felső rögzítőkapcsot, és közben engedje el az akkumulátoregység aljánál lévő helyzetérőztető nyílást.

Hegesztés/élezés beállítása

Attól függően, hogy hegeszteni vagy élezni szeretne, állítsa a hegesztés/élezés üzemmód kapcsolóját a megfelelő helyzetbe.

Árnyalat beállítása

Hegesztési üzemmódban az árnyalatot az EN 379 szabvány szerint válassza ki (lásd a lenti táblázatot).

024-001-911 Rev B ConceptAir 07/2019

Egyéni védőeszközökre (PPE) vonatkozó 2016/425 számú (EU) rendelet vagy az egyéni védőeszközökről szóló 89/686/EGK irányelv: EU/EK (adott esettől függően) típusvizsgálatot végezte: BSI Group The Netherlands B.V., Say Building, John M. Keynesplein 9, 1066 EP, Amsterdam, Hollandia (bejelentett szervezet azonosító száma: 2797) vagy BSI Assurance UK Ltd, Kitemark Court, Davy Avenue, Knowlhill, Milton Keynes MK5 8PP, Egyesült Királyság (bejelentett szervezet azonosító száma: 0086), aszerint, ahogy a termék címkéjén szerepel.

Centurion Safety Products Ltd

T: +44 (0) 1842 754266 | F: +44 (0) 1842 765590 | sales@centurionsafety.co.uk | 21 Howlett Way, Thetford, Norfolk, IP24 1HZ, England

centurionsafety.eu

A fényérzékenység/késleltetés beállításához:

- Állítsa a fényérzékenység szabályozótárcsáját HI helyzetbe (maximális fényérzékenység).
- Lassan forgassa a fényérzékenység szabályozótárcsáját az óramutató járásával megegyező irányba addig, amíg az automatikusan sötétedő hegesztőszűrő be nem sötétedik. Az LO beállítás nagy áramerősségű hegesztéshez és világos környezetben végzett hegesztéshez megfelelő. A HI beállítás kis áramerősségű hegesztéshez, rossz megvilágítású környezethez és AVI-hegesztéshez megfelelő. Javasoljuk, hogy ennél az automatikusan sötétedő hegesztőszűrőnél nagyobb érzékenységet beállítást használjon.
- Állítsa be a sötétről világosra történő váltás kívánt idejét (0,1 mp a MIN érték és 0,9 mp a MAX érték). A MIN beállítás ideális a rövid hegesztési műveleteket igénylő sínvezetési hegesztéshez vagy termelőhegesztéshez. A MAX beállítás ideális a nagy áramerősségű hegesztéshez, ahol a hegesztés utánégést okoz.

Energiaellátás

Az R23AWH 9/13 automatikusan sötétedő hegesztőszűrő energiaellátását napenergia és egy cserélhető CR2450 lítiumion-akkumulátor biztosítja. Az automatikusan sötétedő hegesztőszűrő be- és kikapcsolása automatikus vezérlésű.

Az akkumulátor alacsony töltöttségét jelző fény

Az alacsony töltöttséget jelző fény villog, ha az akkumulátor töltöttsége alacsony.

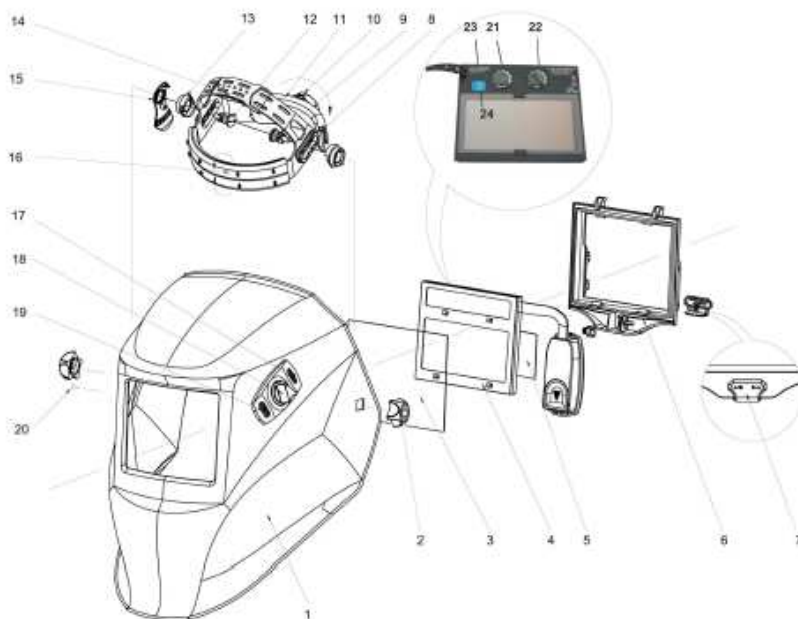
Villogás élezéskor

Az élezést jelző fény villog, amikor az élezési funkció használatban van.

FIGYELEM: A szemsérülések elkerülése érdekében ne végezzen hegesztést élezési üzemmódban

Javasolt árnyalatok

Hegesztési eljárás	Elektromos áram (A)																						
	1.5	6	10	15	30	40	60	70	100	125	150	175	200	225	250	300	350	400	450	500	600		
MMAW (bevont elektródák)	8				9			10		11			12			13			14				
MAG	8				9			10		11			12			13			14				
TIG	8			9			10		11			12			13								
MIG					9			10		11			12			13		14					
Könnyűfémek AFI-hegesztése								10		11			12			13		14					
Gyökfaragás	10									11			12		13		14		15				
Plazmasugaras vágás								9		10		11		12			13						
Mikroplazma-hegesztés	4		5		6		7		8		9		10		11		12						
	1.5	6	10	15	30	40	60	70	100	125	150	175	200	225	250	300	350	400	450	500	600		



- Sisakhéj
- Rögzítőanya
- Külső védőlemez
- Automata szűrő
- Belső védőlemez
- Keret
- ADF keret rögzítőeleme
- Fejvédő csúszkája (3 nyílással)
- Fejvédő csavarja (3 nyílással)
- A fejpánt szorosságát beállító gomb
- Fejvédő csatlakozóeleme
- Fejvédő csavarja (jobb oldali, hosszú)
- Blokkalátét (jobb oldali)
- Fejpánt beállító gombjai
- Szelvényes helyzetbeállító lemez (jobb oldali)
- M23SBWH izzadságfogó fejpánt
- Sötétégi tartomány kiválasztógombja
- Árnyalatbeállító gomb
- Hegesztés/élezés beállító gombja
- Szelvényes lemez helyzetbeállító pontja
- Érzékenység beállítására szolgáló gomb
- Késleltetés beállítására szolgáló gomb
- Az akkumulátor alacsony töltöttségét jelző fény
- Villogás élezéskor

024-001-911 Rev B ConceptAir 07/2019

Egyéni védőeszközökre (PPE) vonatkozó 2016/425 számú (EU) rendelet vagy az egyéni védőeszközökről szóló 89/686/EGK irányelv: EU/EK (adott esettől függően) típusvizsgálatot végezte: BSI Group The Netherlands B.V., Say Building, John M. Keynesplein 9, 1066 EP, Amsterdam, Hollandia (bejelentett szervezet azonosító száma: 2797) vagy BSI Assurance UK Ltd, Kitemark Court, Davy Avenue, Knowlhill, Milton Keynes MK5 8PP, Egyesült Királyság (bejelentett szervezet azonosító száma: 0086), aszerint, ahogy a termék címkéjén szerepel.

Centurion Safety Products Ltd

T: +44 (0) 1842 754266 | F: +44 (0) 1842 765590 | sales@centurionsafety.co.uk | 21 Howlett Way, Thetford, Norfolk, IP24 1HZ, England

centurionsafety.eu

Főbb pótalkatrészek

Leírás	Kód
Tartalék sisak/ellenző fejevédő egység	R23CHFUV
Tartalék ellenző fejevédő egység	R23FUVN
Tartalék hegesztősisak fejevédő egység	R23AWH9/13
Tartalék ADF hegesztőlencse	R23ADFH9/13
Tartalék szűrő hegesztési fröccsenés ellen (10)	R23OLCH
Tartalék belső borítás hegesztőlencséhez (10)	R23ILCH
Proban tömlőborítás	R23PHS
Ellenzőborítások (sisak/ellenző és ellenző fejevédő egységek) (50)	R23VC50N
Eldobható izzadságfogó fejpántok (ellenző) (10)	R23SB
Izzadságfogó fejpánt + 2 csavar (ellenző hegesztéshez)	R23SBAWH
Tartalék arcvédő (sisak/ellenző)	R23CHFUVF/PN
Tartalék arcvédő (ellenző)	R23FN
Tartalék arcvédő (hegesztősisak)	R23CAWF
Tartalék polikarbonát ellenző sisak/ellenző fejevédő egységhez	R23CHFUVVP
Tartalék polikarbonát ellenző ellenző fejevédő egységhez való tépőzárral	R23VN
Tartalék tömlőegység (0,85 m)	R23HAHD
Tömlőegység (1 m, nagy teljesítményű)	R23HAHDL

A védősisak és az ellenző jóváhagyásainak magyarázata

A védősisak tanúsítása az alábbi szabványok szerint történt:

EN 397

MM	Megolvadt fém kifröccsenésével szembeni védelem
-40 °C	Ütéssel szembeni védelem alacsony hőmérsékleten
LD	Oldalsó deformálódás elleni védelem
440 VAC	Legfeljebb 440 VAC elektromos feszültséggel járó veszélyek esetén használható
1000 VAC	Legfeljebb 1000 VAC elektromos feszültséggel járó veszélyek esetén használható (EN 50365)

A sisak/ellenző és az ellenző fejevédő egységeken található ellenzők a következő szabványok szerinti tanúsítással rendelkeznek:

EN 166

1	Legmagasabb optikai osztály
B	Ütéssel szembeni védelem (120 m/s)
3	Fröccsenő folyadékkal szembeni védelem
9	Megolvadt fém kifröccsenésével szembeni védelem

Tárolás (minden fejevédő egység)

Minden fejevédő egységet száraz és tiszta környezetben, -5 °C és +55 °C közötti hőmérsékleten, <90% relatív páratartalom mellett, eredeti csomagolásban kell tárolni. Ideális tárolási feltételek: 5 °C és 35 °C között, <60% relatív páratartalom. Az eredeti csomagolásban szállítsa. Megfelelő körülmények között a termék 5 évig tárolható.

Garancia

A ConceptAir fejevédő egységek anyag- és gyártási hibáiért garanciát vállalunk. Ha ilyen hibára derül fény a vásárlást követő 12 hónapon belül, a Centurion Safety Products Ltd saját belátása szerint ingyen javítja vagy cseréli a fejevédő egységet.

Az elektromos és elektronikus berendezések hulladékai (WEEE)



WEEE (KIZÁRÓLAG a hajtóegység, az akkumulátor és a töltő esetén)

EZEK A TERMÉKEK NEM HELYEZHETŐK A HÁZTARTÁSI HULLADÉKBA

- A terméken, annak csomagolásán vagy az útmutatóban látható áthúzott kerek szemégyűjtő tartály és a tömör vonal azt jelzi, hogy a termék megfelel az Európai Közösség 2002/96/EK irányelvében szereplő, az elektromos és elektronikus berendezések hulladékainak megfelelő kezeléséről szóló követelményeknek.
- Az elektromos és elektronikus berendezések nem helyezhetők a háztartási hulladékba, azokat külön kell gyűjteni és leadni. Használja a nemzeti és helyi rendeletekben meghatározott, megfelelő állami vagy magán hulladékgyűjtő rendszereket.
- A termék olyan anyagokat tartalmazhat, amelyek nem megfelelő hulladékkezelés esetén károsak lehetnek a környezetre vagy az emberi egészségre.

További információért és az EU/EK megfelelőségi nyilatkozatért (adott esettől függően) látogasson el weboldalunkra: centurionsafety.eu

024-001-911 Rev B ConceptAir 07/2019

Egyéni védőeszközökre (PPE) vonatkozó 2016/425 számú (EU) rendelet vagy az egyéni védőeszközökről szóló 89/686/EGK irányelv: EU/EK (adott esettől függően) típusvizsgálatot végezte: BSI Group The Netherlands B.V., Say Building, John M. Keynesplein 9, 1066 EP, Amsterdam, Hollandia (bejelentett szervezet azonosító száma: 2797) vagy BSI Assurance UK Ltd, Kitemark Court, Davy Avenue, Knowlhill, Milton Keynes MK5 8PP, Egyesült Királyság (bejelentett szervezet azonosító száma: 0086), aszerint, ahogy a termék címkéjén szerepel.

Centurion Safety Products Ltd

T: +44 (0) 1842 754266 | F: +44 (0) 1842 765590 | sales@centurionsafety.co.uk | 21 Howlett Way, Thetford, Norfolk, IP24 1HZ, England

centurionsafety.eu



CENTURION
WHEN CLARITY COUNTS

A fejevdő egység használata előtt mindenképpen olvassa el ezt az útmutatót és a hajtóegység útmutatóját.

Tabellen nede viser ConceptAir-systemene som er godkjent, samt relevante godkjenninger.

Delenummer	Beskrivelse	Åndedrettsvern godkjenning	Åndedrettsvern beskyttelsesfaktor	Hode-/øyevern godkjenning
R23CHFUVKIT	Hjelm Visir PAPR-system	EN 12941:1998+A2:2008 TH2P	NPF 50	EN 397 og EN 166
R23FUVNKIT	Visir PAPR-system	EN 12941:1998+A2:2008	NPF 50	EN 166
R23AWH9/13KIT	Sveishjelm PAPR-system	EN 12941:1998+A2:2008	NPF 50	EN 166 og EN 175

Den nominelle beskyttelsesfaktoren (NPF) er bestemt i labtester utført iht. EN 12941. Se EN 529 for landsspesifikk veiledning angående beskyttelsesfaktorer.

ADVARSEL

- Beskyttelsen av åndedrettet svekkes hvis hodestykket ikke sitter korrekt og ikke er ordentlig vedlikeholdt.
- Åndedrettet beskyttes ikke når visiret står oppe.
- Beskyttelsen av åndedrettet, som gis av visirene og hettene, kan svekkes i sterk vind.
- I det usannsynlige tilfellet at strømenheten er slått av eller ikke fungerer, er åndedrettet ikke beskyttet.
- I avslått tilstand kan det raskt bygge seg opp karbondioksid, og oksygeninnholdet kan falle.
- Det er vesentlig at du setter sammen og har på verneutstyret i et miljø med ren luft.
- Brukeren må forlate det forurensede området og få all forurensning fjernet fra klærne og seg selv, før han tar av åndedrettsvernet.

R23CHFUVKIT - Hodestykke Hjelm med polykarbonat-visir

R23CHFUVKIT er en hjelm med vipp-opp-visir som forsynes med luft fra strømenheten som bæres rundt livet, via en forsterket PVC spiralslange og en let-tveiende luftkanal. Lufta slippes ut på toppen av visirområdet for maksimal anti-dugging effekt, og rettet mot pustesonen. **R23CHFUVKIT** er ment for bruk på steder med et definert åndedrettsrisiko, der brukeren trenger hode-, ansikts- og øyevern. Industrivernehjelmen er ment å beskytte brukeren mot fallende objekter og påfølgende hodeskader. Ansikts-/øyevernet er ment som beskyttelse mot støt og partikkelsprut.

Vennligst fjern beskyttelsesfilmen på utsiden av visiret før bruk.

Inspiser visiret for å være sikker på at visiret, brynbeskyttelse, hodebeskyttelsen, ansiktstetningen og slangen ikke har synlige skader.

Inspiser hodestykket for å være sikker på at hjelmen, visirenheten, hodebeskyttelsen, ansiktstetningen og slangen ikke har synlige skader.

Ha på utstyret

Før du setter på hjelmen, må du koble slangen til hjelmen og strømenheten og spenne beltet rundt livet, med beltespennet foran.

Sjekk at luft strømmet ut av hjelmens interne luftkanal og juster stroppene på hodeselene slik at hodeselene sitter godt og behagelig.

Ta på hjelmen og stram hodebåndet. Merk: For at hodet skal være godt beskyttet, må hjelmen passe og eventuelt justeres etter hodestørrelsen. Juster hjelmen ved hjelp av hodebåndet bak på hjelmen slik at den sitter trygt og behagelig. Hjelmen er laget for å absorbere støtenergien ved delvis ødeleggelse eller skade på hjelmskallet, selen, eller den beskyttende polstringen, og selv om en slik skade ikke er synlig umiddelbart, må en hjelm som har vært utsatt for kraftige støt, skiftes ut. Vipp visiret ned og dra ansiktstetningen under haken slik at utstyret sitter tett og behagelig rundt ansiktet.

Vedlikehold

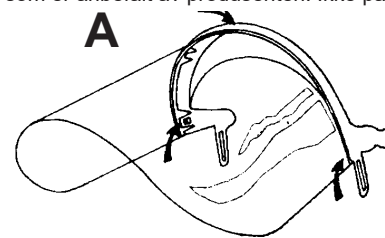
Før bruk må du kontrollere at alle delene fungerer og er uskadede. Kontakt produsenten hvis du er i tvil.

Skift ut visirskjermene ofte, også visiret, hvis det har riper eller skader.

Annent rutinevedlikehold er begrenset til rengjøring av skallet, slangen og luftkanalen, og utskifting av ansiktstetningen når det er nødvendig. Ikke modifier eller fjern noen av de originale komponentdelene på hjelmen eller andre åndedrettsrelaterte deler, bortsett fra delene som er anbefalt av produsenten. Ikke påfør maling, løsemidler, klistremerker eller selvklebende etiketter.

Sette på et nytt visir

For å fjerne det gamle visiret må du først fjerne den hvite pinnen i midten av visirholderen (A) og så ta ut visiret. For å sette inn det nye visiret, rett inn hullene på begge ender av skjermen mot stiftene på skjermholderen. Trykk forsiktig mot forsiden av skjermen for å skyve den på plass. Sett den hvite pinnen inn igjen, slik at den går gjennom både visirholderen og visirets midthull.



Fjerne/skifte hode-/ansiktstetningen

Hode-/ansiktstetningen er festet med et borrelås. For å fjerne det: -

1. Sett hjelmen på et flatt underlag og løsne slangeenheten fra luftkanalen ved å holde luftkanalen fast og dreie bajonettlåsen mot urviseren.
2. Ta den gamle hode-/ansiktstetningen av borrelåsen.
3. Fest den nye hode-/ansiktstetningen på hjelmens borrelås: Start i midten, følg hjelmens kontur og pass på at tetningen ligger flatt, jevnt og ikke krøller seg.

Rengjøring

Tørk over hjelmen, slangen og luftkanalen med en fuktig (ikke våt) klut fuktet med lunkeent såpevann. Tørk av med en myk tørr klut. **Ikke la vann komme inn i luftkanalen.**

Vær forsiktig så du ikke lager riper. **ADVARSEL: Ikke rengjør med vanlige løsemidler eller organiske forbindelser.**

Ansiktstetningen kan vaskes ved 40 °C med vanlig vaskepulver.

024-001-911 Rev B ConceptAir 07/2019

PVU-forordningen (EU) 2016/425 eller PVU-direktivet 89/686/EEC: EU/EF-typegodkjenning (alt etter hva som er relevant) utført av: BSI Group The Netherlands B.V., Say Building, John M. Keynesplein 9, 1066 EP, Amsterdam, Nederland (teknisk kontrollorgan nr. 2797) eller BSI Assurance UK Ltd, Kitemark Court, Davy Avenue, Knowlhill, Milton Keynes MK5 8PP, Storbritannia (teknisk kontrollorgan nr. 0086) som spesifisert på produktetiketten.

R23FUVNKIT Hodestykke Polykarbonat-visir

R23FUVNKIT er et vipp-opp-visir som forsynes med luft fra strømenheten som bæres rundt livet, via en forsterket PVC-spiralslange og en lettveidende luftkanal. Luften slippes ut på toppen av visirområdet for maksimal anti-dugging effekt, og rettet mot pustesonen. **R23FUVNKIT** er ment for bruk på steder med et definert åndedrettsrisiko, der brukeren trenger ansikts- og øyevern. Ansikts-/øyevernet er ment som beskyttelse mot støt og partikkelsprut.

Vennligst fjern beskyttelsesfilmen på utsiden av visiret før bruk.

Inspiser visiret for å være sikker på at visiret, brynbeskyttelse, hodebeskyttelsen, ansiktstetningen og slangen ikke har synlige skader.

Ha på utstyret

Før du setter på visiret, må du koble slangen til visiret og strømenheten og spenne beltet rundt livet, med beltespennt foran.

Sjekk at luft strømmer ut av hjelmens interne luftkanal. Ta på visiret og juster stroppen på toppen av hodet slik at hodebåndet sitter behagelig over ørene. Still inn hodeselen til korrekt størrelse med dreieknappen bak. Vipp visiret ned og dra ansiktstetningen under haken slik at utstyret sitter tett og behagelig rundt ansiktet. Dra ned hodebeskyttelsen slik at den overlapper med kantene på brynbeskyttelsen langs forbindelsen med visiret. Skyv hodeetningen inn under bakkanten av brynbeskyttelsen ved dreiepunktet, slik at hodebeskyttelsen og ansiktstetningen passer så tett som mulig sammen.

Sette på et nytt visir

Visiret bør byttes ut når det har fått riper eller bulker.

For å fjerne visiret må du først fjerne de tre hvite pinnene foran ved å skyve dem ut fra innsiden.

Trykk så på visiret slik at sidene bøyes bort fra brynbeskyttelsen, og ta det ut.

For å sette inn det nye visiret plasserer du hullene i begge endene av visiret mot brynbeskyttelsen.

Sett skjermen inn i sporet til brynbeskyttelsen og trykk forsiktig på forsiden av visiret slik at det bøyer seg over den midtre stiftene i visirholderen, til stiftene sitter i det midtre visirhullet.

Pass på at alle stiftene på visirholderen er i fullt inngrep med hullene på visiret. Sett de to hvite pinnene på forsiden av brynbeskyttelsen inn igjen gjennom både brynbeskyttelsen og visiret. Merk: Hodebeskyttelsen, ansiktstetningen, luftslangen eller luftkanalen må byttes ut hvis de er blitt skadet.

Fjerne/skifte hode-/ansiktstetningen

Hode-/ansiktstetningen er festet med et borrelås. For å fjerne det: -

1. Sett hjelmen på et flatt underlag og løsne slangeenheten fra luftkanalen ved å holde luftkanalen fast og dreie bajonettlåsen mot urviseren.
2. Ta den gamle hode-/ansiktstetningen av borrelåsen.
3. Fest den nye hode-/ansiktstetningen på hjelmens borrelås: Start i midten, følg hjelmens kontur og pass på at tetningen ligger flatt, jevnt og ikke krøller seg.

Fjerne/skifte svettebånd/hodepute

Både svettebåndet og hodeputen kan skiftes veldig enkelt.

For å skifte svettebåndet: -

1. Skru ut boltene med 2 x ¼ omdreining fra luftkanalen.
2. Ta ut det gamle svettebåndet.
3. Sett de 4 hullene til det nye svettebåndet over de 4 festeflikene som holder hodebåndet.
4. Skru boltene med 2 x ¼ omdreining inn i luftkanalen.
5. Brett svettebåndet over hodebåndet og plasser det på festeflikene.

Rengjøring

Tørk over visiret, brynbeskyttelsen og slangen med en fuktig (ikke våt) klut fuktet med lunkent såpevann. Tørk av med en myk tørr klut. Ikke la vann komme inn i luftkanalen. ADVARSEL: Ikke rengjør med vanlige løsemidler eller organiske forbindelser.

Ansikts- og hodeetningen kan vaskes ved 40°C med vanlige vaskepulver.

R23AWH9/13KIT – Hodestykke ADF-sveisehjelm

R23AWH9/13KIT er en automatisk blendende hjelm med vipp-opp-visir som forsynes med luft fra strømenheten som bæres rundt livet, via en forsterket PVC-spiralslange og en lettveidende luftkanal. R23AWH9/13KIT er ment for bruk på steder med et definert åndedrettsrisiko, der brukeren trenger ansikts- og øyevern. Sveisehjelmene er ment som beskyttelse mot UV/IR, partikler med lav støtkraft og sveiseegnister.

Sveisehjelmene er utstyrt med et ADF-filter (Auto Darkening Welding, autoblanding). Filteret er gjennomsiktig før sveising, slik at operatøren kan se arbeidsoverflaten klart. Ved sveisebuer blander filteret automatisk av i løpet av 0,08 ms. Når sveisebuen slukner, blir filteret gjennomsiktig igjen. Operatøren kan sette tiden for å skifte mellom mørk og lys til 0,1–0,9 sekunder. Sveisehjelmene er utstyrt med en kontinuerlig blendejusteringsenhet, der operatøren kan velge en mørkhetsgrad fra 5 til 13.

Sveisehjelmene gir operatøren permanent og fullstendig beskyttelse opptil DIN15 mot UV/IR selv i gjennomsiktig tilstand. Strømmen kommer fra solceller og et utskiftbart batteri. ADF-filteret er utstyrt med 4 sett fotoceller som registrerer lysbuer. I tillegg har masken en ytre beskyttelsesplate laget av høypolymermaterialer. Platen er slitesterk, varmebestandig og tåler sveisesprut.

Fjern beskyttelsesfilmen fra utsiden av sprutlinsen og innsiden av ADF-filteret før du bruker hjelmen for første gang

Inspiser sveisehjelmene for å være sikker på at hjelmen, linsene, hodebeskyttelsen, ansiktstetningen eller slangen ikke har synlige skader.

ADVARSEL

Les og forstå alle anvisningene før bruk.

- Se til at linsen i sveisehjelmene er innstilt på riktig mørkhetsgrad for anvendelsen.
- Hjelmen og linsene er ikke egnet for «under-opp»-sveising, lasersveising eller laserskjæring.
- Sveisehjelmene er ment å beskytte øynene og ansiktet mot gnister, sveisesprut og farlig stråling under normale sveiseforhold.
- Hjelmen beskytter ikke mot eksplosjonsutstyr eller etsende væsker. Det må brukes maskinskjerm eller øyebeskyttelse mot sprut hvis den type risiko er tilstede.
- Unngå arbeidsposisjoner som kan utsette ubeskyttede deler av kroppen for gnister, sveisesprut, direkte og/eller reflektert stråling. Bruk egnet beskyttelse hvis du ikke kan unngå å bli eksponert.
- Kontroller hjelmen på lystetthet hver gang du bruker hjelmen. Sjekk også hver gang at beskyttelsesplatene er rene, og at sensorene foran på linsen ikke er dekket av smuss.
- Inspiser alle funksjonsdeler om de viser tegn på slitasje eller skade. Oppripete, sprukne eller bulkete deler må skiftes ut umiddelbart.
- Ikke modifier noe hverken på sveiselinsen eller hjelmen, annet enn det som er angitt her i bruksanvisningen. Ikke bruk reservedeler annet enn de som er angitt her i bruksanvisningen. Ikke-godkjente modifikasjoner eller reservedeler opphever garantien og kan sette brukeren i fare for å bli skadet.

024-001-911 Rev B ConceptAir 07/2019

PVU-forordningen (EU) 2016/425 eller PVU-direktivet 89/686/EEC: EU/EF-typegodkjenning (alt etter hva som er relevant) utført av: BSI Group The Netherlands B.V., Say Building, John M. Keynesplein 9, 1066 EP, Amsterdam, Nederland (teknisk kontrollorgan nr. 2797) eller BSI Assurance UK Ltd, Kitemark Court, Davy Avenue, Knowlhill, Milton Keynes MK5 8PP, Storbritannia (teknisk kontrollorgan nr. 0086) som spesifisert på produktetiketten.

Centurion Safety Products Ltd

T: +44 (0) 1842 754266 | F: +44 (0) 1842 765590 | sales@centurionsafety.co.uk | 21 Howlett Way, Thetford, Norfolk, IP24 1HZ, England

centurionsafety.eu



- Hvis linsen ikke blir mørk ved sveisebuer, slutt å sveise med en gang.
- Ikke bruk løsemidler på linsen eller hjelmkomponenter.
- Det anbefalte arbeidstemperaturområde for sveiselinsen er -10 °C til 65 °C (14 °F til 149 °F). Ikke bruk utstyret utenfor disse temperaturrensene.

Ha på utstyret

Før du setter på hjelmen, må du koble slangen til visiret og strømenheten og spenne beltet rundt livet, med beltespennt foran. Sjekk at luft strømmer ut av hjelmens interne luftekanal. Se til at sensorene på ADF-filteret er rene og ikke tildekket. Sørg for at ADF-holderen sitter tett, og at festelåsen på ADF-filteret er lukket.

Ta på sveisehjelmene og juster pannestroppen slik at hodebåndet sitter behagelig over ørene. Still inn hodeselen til korrekt størrelse med dreieknappen bak. Vipp sveisehjelmene ned og dra ansiktstetningen under haken slik at utstyret sitter tett rundt ansiktet. Stram snoren.

Vinkelen på hodebåndet i sveisehjelmene kan justeres for å ha bedre sikt.

Fjerne/skifte hode-/ansiktstetningen

Hode-/ansiktstetningen er festet til sveisehjelmene med et borrelås. For å fjerne det: -

1. Sett hjelmen på et flatt underlag og løsne slangeenheten fra luftekanalen ved å holde luftekanalen fast og dreie bajonettlåsen mot urviseren.
2. Ta den gamle hode-/ansiktstetningen av borrelåsen.
3. Fest den nye hode-/ansiktstetningen på hjelmens borrelås: Start i midten, følg hjelmens kontur og pass på at tetningen ligger flatt, jevnt og ikke krøller seg.

Fjerne/skifte svettebånd/hodepute

Både svettebåndet og hodeputen kan skiftes veldig enkelt.

For å skifte svettebåndet: -

1. Skru ut boltene med 2 x ¼ omdreining fra luftekanalen.
2. Ta ut det gamle svettebåndet.
3. Sett de 4 hullene til det nye svettebåndet over de 4 festeflikene som holder hodebåndet.
4. Skru boltene med 2 x ¼ omdreining inn i luftekanalen.
5. Brett svettebåndet over hodebåndet og plasser det på festeflikene.

For å skifte hodeputen: -

1. Ta ut den gamle puten og rengjør overflaten på borrelåsen for alt som har satt seg fast.
2. Sett inn den nye puten, plasser den i midten av hodebåndet og trykk borrelåsen godt på plass.

Rengjøring

Tørk over sveisehjelmene, ansiktstetningen og slangen med en fuktig (ikke våt) klut fuktet med lunken såpevann. Vær forsiktig når du rengjør de ytre/indre linsene, slik at de ikke får riper. Tørk av med en myk tørr klut og la det tørke i luften. **Ikke la vann komme inn i luftekanalen. ADVARSEL: Ikke rengjør med vanlige løsemidler eller organiske forbindelser.**

ADF-filter



Forklaring av typegodkjenningsmerkene:

XA-1021	ADF-filter modellnavn
CSS	Produsentens merke
4/5-9/9-13	Tilgjengelige mørkhetsområder (se tabellen over anbefalte mørkhetsgrader per bruksområde)
1/1/1/1/379	Forklaring av ADF-godkjenningen

1 = optisk klasse
 1 = strølysklasse
 1 = homogenitetsklasse
 1 = vinkelavhengighetsklasse
 379 = EN 379 standard

For å skifte ADF-linsen kan du ganske enkelt flytte skyveknappen nede til opplåsningsposisjon og dra linsen langsomt ut av hjelmen. Batteriet og den eksterne bryterenheten må tas ut ved å skyve festeklipsen på toppen forsiktig ut, og dermed løsne batteripakken nede.

Sveise/slipe-innstilling

Sett sveise-/slipemodusknappen til riktig posisjon avhengig av om du vil sveise eller slippe.

Mørkhetsinnstillinger

Velg mørkhetsgrad for sveisemodus i samsvar med EN 379 (se tabellene nede).

For å sette lysfølsomhet/forsinkelse:

- a. Sett kontrollknotten for lysfølsomhet til posisjon HI (maksimal lysfølsomhet).
- b. Drei kontrollknotten for lysfølsomhet mot urviseren, til ADF-filteret ikke lenger blir mørkere. Innstilling LO er egnet for høy ampere-sveising, og for sveising under lyse forhold. Innstilling HI er egnet for lav-ampere-sveising, dårlige lysforhold og TIG sveising. Vi anbefaler å bruke en høyere følsomhetsinnstilling med dette ADF-filteret.
- c. Sett forsinkelsen fra mørk til lys (0,1 s MIN til 0,9 s MAX) som nødvendig. Innstilling MIN er ideell for skinnesveising eller produksjonssveising med korte sveiser. Innstilling MAX er ideell for høy-ampere-sveising med ettergløding fra sveisen.

Strømforsyningen

R23AWH 9/13 ADF-filteret forsynes med strøm av solceller og et utskiftbart CR2450-litiumbatteri. Aktivering og deaktivering av ADF filteret kontrolleres automatisk.

Varsellys for lavt batterinivå

Lavt batterinivå-varsellyset blinker når batterinivået er lavt.

024-001-911 Rev B ConceptAir 07/2019

PVU-forordningen (EU) 2016/425 eller PVU-direktivet 89/686/EEC: EU/EF-typegodkjenning (alt etter hva som er relevant) utført av: BSI Group The Netherlands B.V., Say Building, John M. Keynesplein 9, 1066 EP, Amsterdam, Nederland (teknisk kontrollorgan nr. 2797) eller BSI Assurance UK Ltd, Kitemark Court, Davy Avenue, Knowlhill, Milton Keynes MK5 8PP, Storbritannia (teknisk kontrollorgan nr. 0086) som spesifisert på produktetiketten.

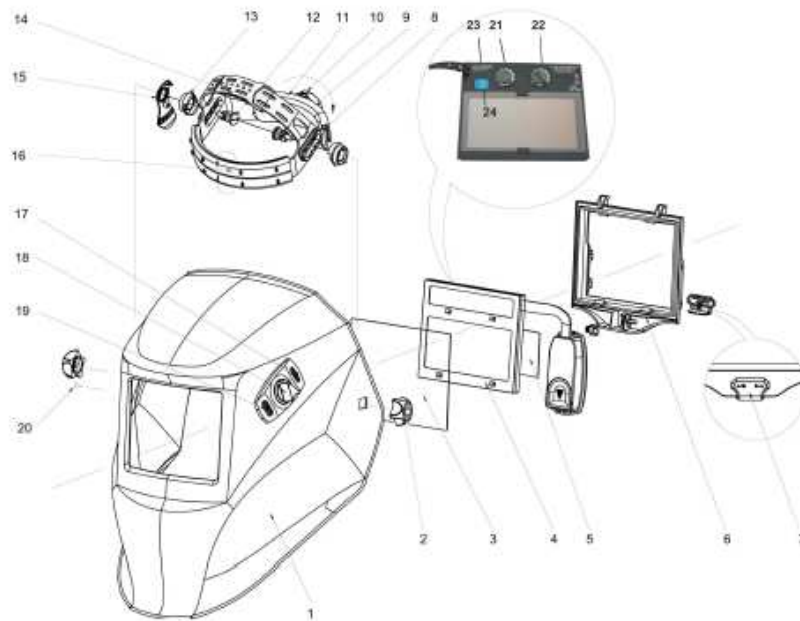
Slipeblinklys

Slipeblinklyset blinker når slipefunksjonen brukes.

ADVARSEL: For å unngå skader på øynene skal du ikke utføre sveising i slipemodus

Anbefalte mørkhetsgrader

Sveisemetode	Elektrisk strøm (A)																																							
	1.5	6	10	15	30	40	60	70	100	125	150	175	200	225	250	300	350	400	450	500	600																			
MMAW (dekkede elektroder)	8				9				10				11				12				13				14															
MAG	8				9				10				11				12				13				14															
TIG	8				9				10				11				12				13																			
MIG					9				10				11				12				13				14															
MIG-sveising av lettmetall									10				11				12				13				14															
Lysbueveisling med trykkluft					10								11				12				13				14				15											
Plasmaskjæring									9				10				11				12				13															
Mikroplasma-sveising	4				5				6				7				8				9				10				11				12							
	1.5	6	10	15	30	40	60	70	100	125	150	175	200	225	250	300	350	400	450	500	600																			



- | | | |
|--|--|---|
| 1. Hjelm skall | 9. Hodesele-skrue (med 3 innstillinger) | 17. Mørkhetsområde-valgknapp |
| 2. Låsemutter | 10. Hodebånd-strammehjul | 18. Mørkhetsgrad-justeringsknott |
| 3. Ytre beskyttelsesplate | 11. Hodeselekobling | 19. Sveise-/slipemodusknapp |
| 4. Automatisk filter | 12. Hodeseleskrue (lang, til høyre) | 20. Posisjoneringspunkt for segmentplaten |
| 5. Indre beskyttelsesplate | 13. Låseskive (til høyre) | 21. Følsomhetsknott |
| 6. Ramme | 14. Hodebåndjusteringsknapper | 22. Forsinkelsesknott |
| 7. ADF-rammelås | 15. Segmental posisjonsplate (til høyre) | 23. Varsellys for lavt batterinivå |
| 8. Hodesele-glider (med 3 innstillinger) | 16. Svettebånd M23SBWH | 24. Slipeblinklys |

024-001-911 Rev B ConceptAir 07/2019

PVU-forordningen (EU) 2016/425 eller PVU-direktivet 89/686/EEC: EU/EF-typegodkjenning (alt etter hva som er relevant) utført av: BSI Group The Netherlands B.V., Say Building, John M. Keynesplein 9, 1066 EP, Amsterdam, Nederland (teknisk kontrollorgan nr. 2797) eller BSI Assurance UK Ltd, Kitemark Court, Davy Avenue, Knowlhill, Milton Keynes MK5 8PP, Storbritannia (teknisk kontrollorgan nr. 0086) som spesifisert på produktetiketten.

Centurion Safety Products Ltd
T: +44 (0) 1842 754266 | F: +44 (0) 1842 765590 | sales@centurionsafety.co.uk | 21 Howlett Way, Thetford, Norfolk, IP24 1HZ, England
centurionsafety.eu

Hovedreservedeler

Beskrivelse	Kode
Reserve hodestykke Hjelm/visir	R23CHFUV
Reserve hodestykke Visir	R23FUVN
Reserve hodestykke Sveisehjelm	R23AWH9/13
Reserve ADF-sveiselinse	R23ADFH9/13
Reserve sveisesprutfilter (10)	R23OLCH
Reserve indre sveiselinsedeksel (10)	R23ILCH
Proban-slangepose	R23PHS
Visirdeksler (hodestykkene Visir eller Hjelm/visir) (50)	R23VC50N
Svettebånd, engangsutstyr (visir) (10)	R23SB
Svettebånd + 2 bolter (Sveisevisir)	R23SBAWH
Reserve ansiktstetning (Hjelm/visir)	R23CHFUVF/PN
Reserve ansiktstetning (Visir)	R23FN
Reserve ansiktstetning (Sveisehjelm)	R23CAWF
Reserve polykarbonatvisir for hodestykket Hjelm/visir	R23CHFUVVP
Reserve polykarbonatvisir med borrelås for hodestykket Visir	R23VN
Reserve slangeenhet (0,85 m)	R23HAHD
Slangeenhet (1 m ekstra kraftig)	R23HAHDL

Forklaring av godkjenningene for sikkerhetshjelmer og visirer

Vernehjelmen er godkjent iht. til følgende standarder:

EN 397

MM	Beskyttelse mot sprut av smeltet metall
-40 °C	Slagbeskyttelse ved lave temperaturer
LD	Beskyttelse mot sidedeformasjon
440V a.c.	Egnet for bruk ved fare for strømstøt opptil 440 V AC
1000V a.c.	Egnet for bruk ved fare for strømstøt opptil 1000 V AC (EN 50365)

Visirene på hodestykkene Hjelm/visir og Visir er godkjent iht. følgende standarder:

EN 166

1	Høyeste optiske klasse
B	Slagbeskyttelse (120 m/s)
3	Beskyttelse mot væskesprut
9	Beskyttelse mot sprut av smeltet metall

Oppbevaring (gjelder alle hodestykker)

Alle hodestykker må oppbevares i ren, tørr atmosfære i temperaturområdet -5°C til +55°C ved RH < 90 % i originalemballasjen. Ideelle lagringsforhold er 5°C til 35°C ved RH < 60 %. Transport i originalemballasjen. Hvis lagret korrekt, kan produktet lagres i 5 år.

Garanti

Alle ConceptAir hodestykker er garantert fri for materialfeil eller produksjonsfeil. Skulle slike feil vise seg i løpet av 12 måneder etter kjøpet, reparerer eller erstatter Centurion Safety Products Ltd hodestykket uten betaling etter eget skjønn.

WEEE



WEEE (gjelder KUN strømenheten, batteriet og laderen)

DISSE PRODUKTENE SKAL IKKE KASTES I VANLIG AVFALL

- Avfallsbeholdersymbolet med kryss over og med heltrukken linje under, som står på dette produktet, dets emballasje eller på bruksanvisningen, betyr at dette produktet er underlagt direktivet om elektrisk og elektronisk avfall 2002/96/EF (WEEE-direktivet).
- EE-avfall skal ikke kastes i vanlig avfall, men skal samles inn og kastes separat. Bruk de kommunale eller private returpunktene som bestemt i nasjonale eller lokale forskrifter.
- Produktet inneholder stoffer som kan være skadelige for miljøet eller helsen hvis de ikke kildesorteres korrekt.**

Du finner mer informasjon og EU/EF-samsvarserklæring (alt etter hva som er relevant) på vår hjemmeside centurionsafety.eu

024-001-911 Rev B ConceptAir 07/2019

PVU-forordningen (EU) 2016/425 eller PVU-direktivet 89/686/EEC: EU/EF-typegodkjenning (alt etter hva som er relevant) utført av: BSI Group The Netherlands B.V., Say Building, John M. Keynesplein 9, 1066 EP, Amsterdam, Nederland (teknisk kontrollorgan nr. 2797) eller BSI Assurance UK Ltd, Kitemark Court, Davy Avenue, Knowlhill, Milton Keynes MK5 8PP, Storbritannia (teknisk kontrollorgan nr. 0086) som spesifisert på produktetiketten.

Centurion Safety Products Ltd
T: +44 (0) 1842 754266 | F: +44 (0) 1842 765590 | sales@centurionsafety.co.uk | 21 Howlett Way, Thetford, Norfolk, IP24 1HZ, England
centurionsafety.eu

Antes de usar a unidade de cabeça, leia as presentes instruções e aquelas fornecidas com a bateria.

O quadro infra mostra os Sistemas ConceptAir que se encontram certificados e as aprovações correspondentes.

Número de peça	Descrição	Certificação de proteção respiratória	Fator de Proteção Nominal NPF/APF	Certificação de proteção da cabeça/dos olhos
R23CHFUVKIT	Capacete com Viseira com Sistema PAPR	EN 12941:1998+A2:2008 TH2P	NPF 50	EN 397 & EN 166
R23FUVNKIT	Viseira com Sistema PAPR	EN 12941:1998+A2:2008 TH2P	NPF 50	EN 166
R23AWH9/13KIT	Capacete de Soldar com Sistema PAPR	EN 12941:1998+A2:2008 TH2P	NPF 50	EN 166 & EN 175

O Fator de Proteção Nominal (NPF) é calculado durante os ensaios laboratoriais realizados ao abrigo da norma EN12941. Consulte a norma EN529 para orientações sobre o fator de proteção específico do país onde se encontra.

AVISO

- Para que a proteção respiratória não se reduza, fixe corretamente a unidade de cabeça e assegure-se de que é sujeita às devidas manutenções.
- Com a viseira na posição elevada, não existe proteção respiratória.
- A proteção respiratória fornecida por viseiras e capuzes pode ser reduzida em caso de ventos fortes.
- No caso improvável de a bateria se desligar ou não funcionar, a proteção respiratória fornecida será pouca ou inexistente.
- Quando desligada a unidade, é possível que ocorra uma acumulação rápida de dióxido de carbono, associada a uma redução do oxigénio.
- É fundamental que a montagem e instalação de qualquer equipamento de proteção sejam feitas num ambiente não contaminado ("limpo").
- O utilizador deverá abandonar a zona contaminada e proceder a todas as operações de descontaminação corporal e de vestuário antes de remover a proteção respiratória.

R23CHFUVKIT - Capacete com Viseira de Policarbonato

O **R23CHFUVKIT** é um capacete com viseira passível de ser levantada e que recebe ar a partir de uma bateria presa à cintura, através de um tubo espiralado reforçado em PVC e de uma leve conduta de ventilação interna. O ar é enviado para o topo da área do capacete, reduzindo o embaciamento, e dirigido para a zona de respiração. O **R23CHFUVKIT** destina-se a ser utilizado em situações em que existem riscos respiratórios concretos e em que o utilizador necessita de proteção de cabeça, facial e ocular. O capacete de proteção industrial destina-se a proteger o utilizador contra quedas de objetos e consequentes lesões cerebrais. O sistema de proteção facial/ocular destina-se à proteção do utilizador contra impactos e resíduos projetados.

Antes de utilizar, remova a capa de proteção da parte externa da viseira.

Inspecione a viseira de modo a garantir que não existem danos visíveis na mesma, assim como na vedação temporal, na carneira, na vedação facial ou no tubo de ventilação.

Inspecione a unidade de cabeça de modo a garantir que não existem danos visíveis no capacete, no conjunto da viseira, na carneira, na vedação facial ou no tubo de ventilação.

Montagem e ajuste

Antes de colocar o capacete, ligue o tubo do mesmo à bateria e aperte o cinto através da fivela frontal.

Certifique-se de que o ar está a sair pela frente da conduta de ventilação interna do capacete e ajuste as fitas do arnés conforme necessário para que o arnés fique comodamente ajustado à sua cabeça.

Coloque o capacete e ajuste o cerra-nuca. Nota: Para uma proteção adequada, este capacete deve adaptar-se ou ser ajustado ao tamanho da cabeça do utilizador. Ajuste o capacete através do cerra-nuca localizado na traseira do mesmo, até se sentir seguro e confortável. Este capacete foi concebido para absorver a energia de um impacto através da destruição parcial ou total do casco, do arnés ou do suspensor. Mesmo que os danos não sejam imediatamente visíveis, todo o capacete sujeito a um impacto violento deve ser substituído. Feche a viseira e puxe a fita de fixação jugular, de modo a assegurar uma boa vedação facial.

Manutenção

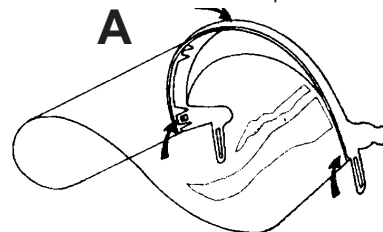
Antes de utilizar, verifique se todas as peças estão operacionais e não apresentam danos. Em caso de dúvidas, contacte o fabricante.

Substitua regularmente as capas de proteção da viseira e a própria viseira quando esta estiver arranhada ou danificada.

As restantes operações de manutenção periódica limitam-se à limpeza do casco, do tubo e da conduta de ventilação e, se necessário, à substituição da vedação facial. Não altere nem remova qualquer componente original do capacete ou outras peças respiratórias, excetuando os recomendados pelo fabricante. Não aplique tintas, solventes, adesivos ou etiquetas autocolantes.

Instalar uma nova viseira

Para remover a viseira antiga, remova primeiro o perno branco localizado no centro da moldura da viseira (A) e remova a viseira. Para instalar a nova viseira, faça primeiro coincidir os orifícios em ambas as extremidades do ecrã com as braçadeiras da moldura da viseira. Pressione ligeiramente a parte frontal do ecrã para colocá-lo no lugar. Em seguida, volte a instalar o perno branco de forma a atravessar a moldura da viseira e o orifício central da mesma.



Remoção/substituição da vedação da cabeça/facial

A vedação da cabeça ou da face é fixada através de velcro. Para substituí-la: -

1. Com o capacete colocado sobre uma superfície lisa, solte o conjunto da conduta de ventilação, segurando firmemente na conduta e rodando os pivôs no sentido contrário ao dos ponteiros do relógio.
2. Solte a vedação de cabeça/facial do Velcro.
3. Fixe o Velcro da vedação de cabeça/facial ao Velcro do capacete, começando ao centro e seguindo o contorno do capacete de modo a garantir uma junção lisa, uniforme e sem brechas.

024-001-911 Rev B ConceptAir 07/2019

Regulamento (UE) 2016/425 relativo aos EPI ou Diretiva 89/686/CEE relativa aos EPI: Exame de Tipo UE/CE (consoante o caso) efetuado por: BSI Group The Netherlands B.V., Say Building, John M. Keynesplein 9, 1066 EP, Amsterdão, Países Baixos (Organismo Notificado N.º 2797) ou BSI Assurance UK Ltd, Kitemark Court, Davy Avenue, Knowlhill, Milton Keynes MK5 8PP, Reino Unido (Organismo Notificado N.º 0086) conforme especificado no rótulo do produto.

Centurion Safety Products Ltd

T: +44 (0) 1842 754266 | F: +44 (0) 1842 765590 | sales@centurionsafety.co.uk | 21 Howlett Way, Thetford, Norfolk, IP24 1HZ, England

centurionsafety.eu

Limpeza

Limpe o capacete, o tubo e a conduta de ventilação com um pano macio e humedecido (não molhado) em água morna com sabão. Seque com um pano macio e seco. **Não permita a entrada de água na conduta de ventilação.**

Deve ter-se cuidado para não riscar. **AVISO: Não utilize os solventes ou compostos orgânicos existentes no mercado.**

A vedação facial deve ser lavada a 40°C, com detergente em pó doméstico.

R23FUVNKIT - Viseira de Policarbonato

O **R23FUVNKIT** é um capacete com viseira passível de ser levantada e que recebe ar a partir de uma bateria presa à cintura, através de um tubo espiralado reforçado em PVC e de uma leve conduta de ventilação interna. O ar é enviado para o topo da área do capacete, reduzindo o embaciamento, e dirigido para a zona de respiração. O **R23FUVNKIT** destina-se a ser utilizado em situações em que existem riscos respiratórios concretos e em que o utilizador necessita de proteção facial e ocular. O sistema de proteção facial/ocular destina-se à proteção do utilizador contra impactos e resíduos projetados.

Antes de utilizar, remova a capa de proteção da parte externa da viseira.

Inspecione a viseira de modo a garantir que não existem danos visíveis na mesma, assim como na vedação temporal, na carneira, na vedação facial ou no tubo de ventilação.

Montagem e ajuste

Antes de colocar a viseira, ligue o tubo da mesma à bateria e aperte o cinto através da fivela frontal.

Certifique-se de que o ar está a sair pela frente da conduta de ventilação interna. Coloque a viseira e ajuste a faixa de cabeça para que o cerra-nuca fique confortavelmente acima das orelhas. Ajuste o arnês da cabeça ao tamanho da sua cabeça usando o botão traseiro de retenção. Feche a viseira e puxe a fita de fixação jugular, de modo a assegurar uma boa vedação facial. Baixe a carneira de modo a sobrepor-se às bordas da vedação temporal ao longo da junção com a viseira. Fixe a vedação de cabeça por baixo da extremidade posterior da vedação temporal junto ao pivô de modo a obter a melhor junção possível entre a carneira e a vedação facial.

Instalar uma nova viseira

A viseira deve ser substituída quando estiver riscada ou picada.

Para remover a viseira, remova primeiro os três pernos frontais, empurrando-os para fora.

Pressione depois a viseira para fazer defletir as laterais da vedação temporal e remova-a.

Para instalar uma nova viseira, localize os orifícios em ambas as extremidades da viseira na vedação temporal.

Faça coincidir o ecrã com a ranhura existente na vedação temporal e aplique uma ligeira pressão na frente da viseira, de modo a defletir-la ao longo da braçadeira da moldura central, até encaixar no orifício central da viseira.

Certifique-se de que todas as braçadeiras da moldura ficam bem encaixadas nos orifícios da viseira. Volte a instalar os dois pernos brancos na frente da vedação temporal, fazendo-os passar pela vedação temporal e pela viseira. Nota: A carneira, a vedação facial, o tubo e a conduta de ventilação devem ser substituídos se estiverem danificados.

Remoção/substituição da vedação da cabeça/facial

A vedação da cabeça ou da face é fixada através de velcro. Para substituí-la: -

1. Com o capacete colocado sobre uma superfície lisa, solte o conjunto da conduta de ventilação, segurando firmemente na conduta e rodando os pivôs no sentido contrário ao dos ponteiros do relógio.
2. Solte a vedação de cabeça/facial do Velcro.
3. Fixe o Velcro da vedação de cabeça/facial ao Velcro do capacete, começando ao centro e seguindo o contorno do capacete de modo a garantir uma junção lisa, uniforme e sem brechas.

Remoção/substituição da faixa de absorção/faixa de conforto da cabeça

Tanto a faixa de absorção como a faixa de conforto da cabeça podem ser facilmente substituídas.

Para substituir a faixa de absorção: -

1. Com ¼ de volta, remova os 2 pernos da conduta de ventilação.
2. Remova a faixa de absorção.
3. Faça coincidir os 4 orifícios da faixa de absorção que pretende instalar com as 4 linguetas de retenção da faixa de cabeça.
4. Com ¼ de volta, fixe os 2 pernos da conduta de ventilação.
5. Dobre a faixa de absorção sobre a faixa de cabeça e encaixe nas linguetas.

Limpeza

Limpe a viseira, a vedação temporal e o tubo com um pano macio e humedecido (não molhado) em água morna com sabão. Seque com um pano macio e seco. **Não permita a entrada de água na conduta de ventilação. AVISO: Não utilize os solventes ou compostos orgânicos existentes no mercado.** As vedações faciais e de cabeça devem ser lavadas a 40°C com detergente em pó doméstico.

R23AWH9/13KIT – Capacete de soldar ADF

O **R23AWH9/13KIT** é um capacete de soldar com viseira de escurecimento automático, que recebe ar a partir de uma bateria presa à cintura, através de um tubo espiralado reforçado em PVC e de uma leve conduta de ventilação interna. O **R23AWH9/13KIT** destina-se a ser utilizado em situações em que existem riscos respiratórios concretos e em que o utilizador necessita de proteção facial e ocular. O capacete de soldar protege contra radiação ultravioleta e infravermelha, projeção de partículas com baixo impacto e faíscas.

O capacete de soldar está equipado com um filtro de escurecimento automático (ADF). O filtro é transparente antes de iniciados os trabalhos de soldadura, para que o operador possa observar a superfície de trabalho com clareza. Sujeito ao arco de soldar, o filtro escurece automaticamente em cerca de 0,08ms. Desaparecido o arco, o filtro torna-se novamente transparente. O operador pode regular em 0,1 a 0,9 segundos o tempo de comutação de escuro para claro. O capacete de soldar está equipado com uma unidade de ajuste contínuo do nível de sombreamento, de modo a permitir ao operador selecionar um número de sombreamento de 5 a 13.

O capacete de soldar oferece ao operador uma proteção permanente e completa até DIN15, contra radiação ultravioleta e infravermelha, mesmo em condições de transparência. A energia é fornecida por células solares e por uma bateria substituível. O filtro ADF está equipado com 4 conjuntos de fotossensores sensíveis à luz do arco de solda. Além disso, a máscara é fornecida com uma placa externa de proteção feita de materiais de polímero elevado. A placa de proteção é resistente ao desgaste, termoestável e antiaderente, oferecendo uma longa vida útil.

Antes da primeira utilização, remova a capa de proteção da parte exterior da lente e o interior do ADF.

Inspecione o capacete de soldar de modo a garantir que não existem danos visíveis no capacete, na lente, na carneira, na vedação facial ou no tubo de ventilação.

024-001-911 Rev B ConceptAir 07/2019

Regulamento (UE) 2016/425 relativo aos EPI ou Diretiva 89/686/CEE relativa aos EPI: Exame de Tipo UE/CE (consoante o caso) efetuado por: BSI Group The Netherlands B.V., Say Building, John M. Keynesplein 9, 1066 EP, Amsterdão, Países Baixos (Organismo Notificado N.º 2797) ou BSI Assurance UK Ltd, Kitemark Court, Davy Avenue, Knowlhill, Milton Keynes MK5 8PP, Reino Unido (Organismo Notificado N.º 0086) conforme especificado no rótulo do produto.

Centurion Safety Products Ltd

T: +44 (0) 1842 754266 | F: +44 (0) 1842 765590 | sales@centurionsafety.co.uk | 21 Howlett Way, Thetford, Norfolk, IP24 1HZ, England

centurionsafety.eu



AVISO

Leia atentamente todas as instruções antes de utilizar.

- Certifique-se de que o nível de escurecimento da lente do capacete de soldar é o número de sombreamento correto para a operação que pretende realizar.
- Este capacete e a sua lente não são adequados a aplicações de soldadura "acima da cabeça", nem a soldadura por laser ou corte por laser.
- Os capacetes de soldar destinam-se a proteger os olhos e o rosto de faíscas, salpicos e radiações nocivas em situações de solda normais.
- Este capacete não oferece proteção contra explosivos ou líquidos corrosivos. Na eventualidade da existência de tais riscos, devem ser usadas barreiras mecânicas ou proteção ocular.
- Evite posições de trabalho que possam deixar zonas do corpo expostas a faíscas, salpicos e /ou radiação direta ou indireta. Use equipamentos de proteção adequados se a exposição não poder ser evitada.
- Verifique a resposta à luminosidade antes de cada utilização. Antes de cada utilização, verifique se as placas de proteção estão limpas e se não existe sujidade nos sensores da frente da lente.
- Antes de cada utilização, inspecione todas as peças operativas em busca de sinais de desgaste ou dano. Todas as peças riscadas, rachadas ou picadas devem ser substituídas imediatamente.
- Não efetue alterações à lente ou capacete de soldar, que não sejam aquelas especificadas no presente manual. Não use peças de substituição que não sejam as especificadas no presente manual. Qualquer alteração ou substituição não autorizada implicará a nulidade da garantia e exporá o utilizador ao risco de lesões físicas.
- Se a lente não escurecer quando exposta a um arco de soldar, interrompa imediatamente os trabalhos.
- Não use solventes na lente ou nas peças do capacete.
- A gama de temperaturas operacionais recomendada para a lente de soldar é -10°C-65°C (14°F-149°F). Não use este dispositivo para além dos limites de temperatura previstos.

Montagem e ajuste

Antes de colocar o capacete de soldar, ligue o tubo à viseira e à bateria e aperte o cinto através da fivela frontal. Certifique-se de que o ar está a sair pela frente da conduta de ventilação interna. Certifique-se de que os sensores do ADF estão limpos e desobstruídos. Certifique-se de que o suporte do filtro ADF está bem seguro e de que a patilha de retenção do ADF está fechada.

Coloque o capacete de soldar e ajuste a faixa de cabeça para que o cerra-nuca fique confortavelmente acima das orelhas. Ajuste o arnês da cabeça ao tamanho da sua cabeça usando o botão traseiro de retenção. Baixe o capacete de soldar e puxe a fita de fixação jugular, de modo a assegurar uma boa vedação facial. **Aperte a fita.**

Para melhorar a visibilidade, poderá ajustar o ângulo da faixa de cabeça no interior do capacete de soldar.

Remoção/substituição da vedação da cabeça/facial

A vedação da cabeça ou da face é fixada ao capacete de soldar através de velcro. Para substituí-la: -

1. Com o capacete colocado sobre uma superfície lisa, solte o conjunto da conduta de ventilação, segurando firmemente na conduta e rodando os pivôs no sentido contrário ao dos ponteiros do relógio.
2. Solte a vedação de cabeça/facial do Velcro.
3. Fixe o Velcro da vedação de cabeça/facial ao Velcro do capacete, começando ao centro e seguindo o contorno do capacete de modo a garantir uma junção lisa, uniforme e sem brechas.

Remoção/substituição da faixa de absorção/faixa de conforto da cabeça

Tanto a faixa de absorção como a faixa de conforto da cabeça podem ser facilmente substituídas.

Para substituir a faixa de absorção: -

1. Com ¼ de volta, remova os 2 pernos da conduta de ventilação.
2. Remova a faixa de absorção.
3. Faça coincidir os 4 orifícios da faixa de absorção que pretende instalar com as 4 linguetas de retenção da faixa de cabeça.
4. Com ¼ de volta, fixe os 2 pernos da conduta de ventilação.
5. Dobre a faixa de absorção sobre a faixa de cabeça e encaixe nas linguetas.

Para substituir a faixa de conforto da cabeça: -

1. Remova a faixa de conforto que pretende substituir e limpe qualquer sujidade que se encontre no Velcro.
2. Instale a nova faixa de conforto na parte central da faixa de cabeça. Pressione firmemente o Velcro.

Limpeza

Limpe o capacete de soldar, a vedação facial e o tubo com um pano macio e humedecido (não molhado) em água morna com sabão. As superfícies interna e externa da lente devem ser limpas com cuidado pois podem riscar. Seque com um pano macio e seco e deixe secar ao ar. **Não permita a entrada de água na conduta de ventilação. AVISO: Não utilize os solventes ou compostos orgânicos existentes no mercado.**

ADF



Explicação das marcações:

XA-1021	Nome do modelo ADF
CSS	Marca do fabricante
4/5-9/9-13	Gamas de sombreamento disponíveis (ver a tabela de recomendação de números de sombreamento)
1/1/1/1/379	Explicação da certificação ADF
	1 = Classe ótica
	1 = Luz difusa
	1 = Homogeneidade
	1 = Dependência do ângulo de visão
	379 = Norma EN 379

Para substituir a lente ADF, mova o botão inferior para a posição de desbloqueio e puxe cuidadosamente a lente para fora do capacete. A bateria e o comutador externo devem ser removidos empurrando cuidadosamente o clipe de retenção na parte superior de forma a libertar o encaixe no fundo do compartimento da bateria.

024-001-911 Rev B ConceptAir 07/2019

Regulamento (UE) 2016/425 relativo aos EPI ou Diretiva 89/686/CEE relativa aos EPI: Exame de Tipo UE/CE (consoante o caso) efetuado por: BSI Group The Netherlands B.V., Say Building, John M. Keynesplein 9, 1066 EP, Amsterdão, Países Baixos (Organismo Notificado N.º 2797) ou BSI Assurance UK Ltd, Kitemark Court, Davy Avenue, Knowlhill, Milton Keynes MK5 8PP, Reino Unido (Organismo Notificado N.º 0086) conforme especificado no rótulo do produto.
Centurion Safety Products Ltd
T: +44 (0) 1842 754266 | F: +44 (0) 1842 765590 | sales@centurionsafety.co.uk | 21 Howlett Way, Thetford, Norfolk, IP24 1HZ, England
centurionsafety.eu



Ajuste para soldar/rebarbar

Dependendo daquilo que pretende fazer (soldar ou rebarbar), ajuste o interruptor de modo para a posição correspondente.

Indicador luminoso de bateria fraca

O indicador de bateria fraca pisca quando o nível da bateria está fraco.

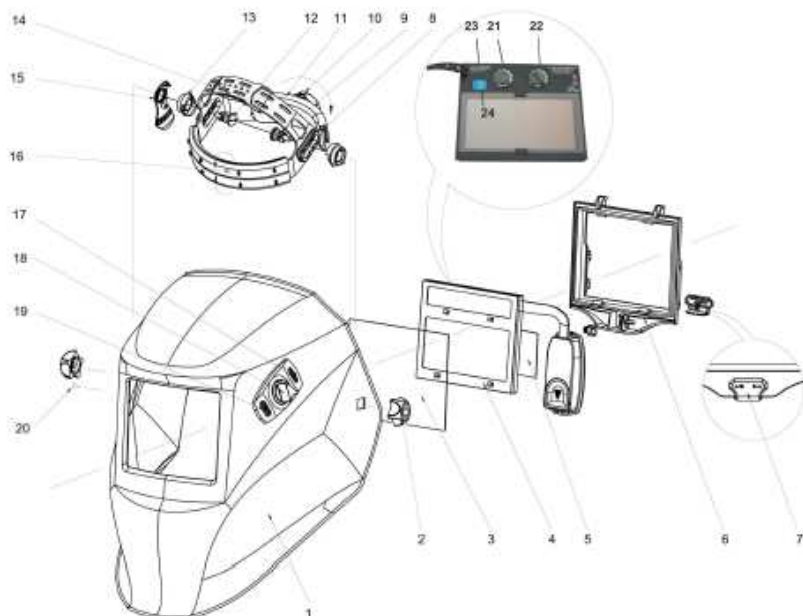
Luz intermitente de rebarbagem

A luz de rebarbagem pisca quando esta função está ativa.

AVISO: Para evitar danos oculares, não realize trabalhos de soldadura com o modo de rebarbagem ativo

Números de sombreamento recomendados

Processos de soldadura	Corrente elétrica (A)																											
	1.5	6	10	15	30	40	60	70	100	125	150	175	200	225	250	300	350	400	450	500	600							
MMAW (elétrodos revestidos)	8				9				10				11				12				13				14			
MAG	8						9		10				11				12				13				14			
TIG				8			9			10			11			12			13									
MIG									9		10				11				12				13		14			
Soldadura MIG de metais leves									10				11				12				13		14					
Goivagem a arco elétrico e ar comprimido	10										11		12		13		14		15									
Plasmaskjæring									9		10		11		12				13									
Mikroplasma sveising	4		5		6		7		8		9		10		11		12											
	1.5	6	10	15	30	40	60	70	100	125	150	175	200	225	250	300	350	400	450	500	600							



1. Casco do capacete
2. Porca de retenção
3. Placa externa de proteção
4. Filtro automático
5. Placa interna de proteção
6. Moldura
7. Bloqueio de moldura do ADF
8. Controlo deslizante da unidade de cabeça (com 3 ranhuras)
9. Parafuso da unidade de cabeça (com 3 ranhuras)
10. Botão de ajuste do cerra-nuca
11. Conector da unidade de cabeça
12. Parafuso da unidade de cabeça (comprimento, do lado direito)
13. Anilha de bloqueio (à direita)
14. Botões de ajuste do cerra-nuca
15. Placa de posição segmentada (à direita)
16. Faixa de absorção M23SBWH
17. Seletor de gama de sombreamento
18. Seletor de número de sombreamento
19. Seletor de soldadura/rebarbagem
20. Ponto de posicionamento para a placa segmentada
21. Seletor de sensibilidade
22. Seletor de atraso de abertura
23. Indicador luminoso de bateria fraca
24. Luz intermitente de rebarbagem

024-001-911 Rev B ConceptAir 07/2019

Regulamento (UE) 2016/425 relativo aos EPI ou Diretiva 89/686/CEE relativa aos EPI: Exame de Tipo UE/CE (consoante o caso) efetuado por: BSI Group The Netherlands B.V., Say Building, John M. Keynesplein 9, 1066 EP, Amsterdão, Países Baixos (Organismo Notificado N.º 2797) ou BSI Assurance UK Ltd, Kitemark Court, Davy Avenue, Knowlhill, Milton Keynes MK5 8PP, Reino Unido (Organismo Notificado N.º 0086) conforme especificado no rótulo do produto.

Centurion Safety Products Ltd

T: +44 (0) 1842 754266 | F: +44 (0) 1842 765590 | sales@centurionsafety.co.uk | 21 Howlett Way, Thetford, Norfolk, IP24 1HZ, England

centurionsafety.eu

Pecas principais

Beskrivelse	Kode
Reserve hodestykke Hjelm/visir	R23CHFUV
Reserve hodestykke Visir	R23FUVN
Reserve hodestykke Sveisehjelm	R23AWH9/13
Reserve ADF-sveiselinse	R23ADFH9/13
Reserve sveisesprutfilter (10)	R23OLCH
Reserve indre sveiselinsedeksel (10)	R23ILCH
Proban-slangepose	R23PHS
Visirdeksler (hodestykkene Visir eller Hjelm/visir) (50)	R23VC50N
Svettebånd, engangsutstyr (visir) (10)	R23SB
Svettebånd + 2 bolter (Sveisevisir)	R23SBAWH
Reserve ansiktstetning (Hjelm/visir)	R23CHFUVF/PN
Reserve ansiktstetning (Visir)	R23FN
Reserve ansiktstetning (Sveisehjelm)	R23CAWF
Reserve polykarbonatvisir for hodestykket Hjelm/visir	R23CHFUVVP
Reserve polykarbonatvisir med borrelås for hodestykket Visir	R23VN
Reserve slangeenhet (0,85 m)	R23HAHD
Slangeenhet (1 m ekstra kraftig)	R23HAHDL

Explicação das marcações nos capacetes e viseiras

O capacete de proteção cumpre as seguintes normas:

EN 397	MM	Proteção contra salpicos de metal fundido
	-40°C	Proteção contra impacto a baixas temperaturas
	LD	Proteção contra deformação lateral
	440 V CA	Adequado para riscos de choque elétrico até 440 V CA.
	1000 V CA	Adequado para riscos de choque elétrico até 1000 V CA (EN 50365)

As viseiras do capacete, a viseira e as unidades de viseira cumprem as seguintes normas:

EN 166	1	Classe ótica mais elevada
	B	Proteção contra impactos (120 m/s)
	3	Proteção contra salpicos líquidos
	9	Proteção contra salpicos de metal fundido

Armazenamento (todas as unidades de cabeça)

Todas as unidades devem ser armazenadas em local limpo e seco, a temperaturas entre -5°C e +55°C, com humidade relativa <90%, na sua embalagem original. As condições ideais de armazenamento são entre 5°C e 35°C, com humidade relativa < 60%. Devem ser transportadas na sua embalagem original. Se for armazenado nas condições corretas, o produto tem um tempo de vida útil de 5 anos.

Garantia

Todas as unidades ConceptAir estão cobertas por garantia contra defeitos de material ou de fabrico. Se surgirem defeitos no prazo de 12 meses a contar da data de aquisição do produto, a Centurion Safety Products Ltd procederá gratuitamente, e se assim o entender, à reparação ou substituição da unidade de cabeça.

REEE



REEE (APENAS aplicável à fonte de alimentação, à bateria e ao carregador)

ESTES PRODUTOS NÃO DEVEM SER ELIMINADOS JUNTAMENTE COM OS RESÍDUOS URBANOS GERAIS

- O símbolo de um contentor de lixo barrado com uma cruz, que acompanha este produto, as suas embalagens ou instruções, significa que o produto está sujeito à Diretiva 2002/96/CE relativa aos resíduos de equipamentos elétricos e eletrónicos (REEE).
- Os REEE não podem ser depositados como resíduos urbanos e devem ser recolhidos e eliminados separadamente. Para o efeito, devem ser usados os sistemas públicos ou privados de recolha de resíduos previstos pelos regulamentos nacionais ou locais.
- O produto pode conter substâncias potencialmente nocivas para o ambiente ou para a saúde humana se eliminado incorretamente.**

Para mais informações ou Declarações de Conformidade UE/CE (consoante o caso), visite o nosso Web site centurionsafety.eu

024-001-911 Rev B ConceptAir 07/2019

Regulamento (UE) 2016/425 relativo aos EPI ou Diretiva 89/686/CEE relativa aos EPI: Exame de Tipo UE/CE (consoante o caso) efetuado por: BSI Group The Netherlands B.V., Say Building, John M. Keynesplein 9, 1066 EP, Amsterdão, Países Baixos (Organismo Notificado N.º 2797) ou BSI Assurance UK Ltd, Kitemark Court, Davy Avenue, Knowlhill, Milton Keynes MK5 8PP, Reino Unido (Organismo Notificado N.º 0086) conforme especificado no rótulo do produto.

Centurion Safety Products Ltd

T: +44 (0) 1842 754266 | F: +44 (0) 1842 765590 | sales@centurionsafety.co.uk | 21 Howlett Way, Thetford, Norfolk, IP24 1HZ, England

centurionsafety.eu

Înainte de a utiliza casca, este important să citiți aceste instrucțiuni, precum și pe cele furnizate împreună cu sursa de alimentare

În tabelul de mai jos sunt prezentate sistemele ConceptAir certificate și aprobările corespunzătoare.

Număr piesă	Descriere	Certificare respiratorie	Factor de protecție respira-torie NPF/APF	Certificare cap/ochi
R23CHFUVKIT	Sistem PAPR vizieră cască	EN 12941:1998+A2:2008 TH2P	NPF 50	EN 397 și EN 166
R23FUVNKIT	Sistem PAPR vizieră	EN 12941:1998+A2:2008 TH2P	NPF 50	EN 166
R23AWH9/13KIT	Sistem PAPR mască de sudor	EN 12941:1998+A2:2008 TH2P	NPF 50	EN 166 și EN 175

Factorul de protecție nominal (NPF) derivă din testele de laborator efectuate în EN12941. Consultați EN529 pentru îndrumări privind factorul de protecție specific țării.

AVERTISMENT

- Protecția respiratorie va fi redusă în cazul în care casca nu este fixată corect și întreținută corespunzător.
- Atunci când viziera este ridicată nu există nicio protecție respiratorie.
- Protecția respiratorie oferită de vizieră și cagule poate fi redusă în cazul în care se înregistrează viteze ridicate ale vântului.
- În cazul puțin probabil în care sursa de alimentare este oprită sau nu funcționează, protecția respiratorie este limitată sau inexistentă.
- În starea de oprire, poate avea loc o acumulare rapidă de dioxid de carbon și epuizarea oxigenului.
- Este esențial ca orice echipament de protecție să fie asamblat și fixat într-un mediu cu „aer curat”.
- Înainte de a-și scoate echipamentul de protecție respiratorie, purtătorul trebuie să părăsească zona contaminată și să se asigure că a fost îndepărtată complet contaminarea de pe corpul său și de pe îmbrăcămintea sa.

R23CHFUVKIT - Cască cu vizieră din policarbonat

R23CHFUVKIT este o cască cu vizieră rabatabilă care asigură alimentarea cu aer de la sursa de alimentare montată în jurul taliei printr-un furtun spiralat de PVC întărit și un canal de aer intern ușor. Aerul este evacuat în partea superioară a zonei vizierii maximizând anti-aburirea și este direcționat către zona de respirare. **R23CHFUVKIT** este concepută pentru a fi utilizată în locuri unde există un pericol pentru respirație, iar utilizatorul are nevoie de un echipament de protecție a capului, a feței și a ochilor. Casca de protecție industrială este proiectată pentru a proteja purtătorul împotriva obiectelor aflate în cădere și de leziunile cerebrale care pot interveni pe cale de consecință. Sistemul de protecție a feței/ochilor este destinat să protejeze purtătorul împotriva impactului și contactului direct cu reziduurile proiectate.

Scoateți acoperirea de protecție de pe partea exterioară a vizierii înainte de utilizare.

Inspectați viziera pentru a vă asigura că nu există deteriorări vizibile la nivelul vizierii, ecranului pentru protecția feței, elementului de protecție a capului, elementului de protecție a feței sau furtunului.

Inspectați casca pentru a vă asigura că nu există deteriorări vizibile la nivelul căștii, ansamblului vizierii, elementului de protecție a capului, elementului de protecție a feței sau furtunului.

Montare

Înainte de a vă pune casca, conectați furtunul la cască și la sursa de alimentare și puneți-vă centura cu catarama în față.

Verificați dacă aerul iese din partea frontală a canalului de aer interior în cască și reglați curea hamului pentru cap după cum este necesar pentru a poziționa în mod confortabil hamul pe cap.

Puneți-vă casca și strângeți banda de susținere. Notă: Pentru o protecție adecvată a capului, această cască trebuie să se potrivească sau să fie ajustată în funcție de dimensiunea capului utilizatorului. Reglați casca cu ajutorul benzii de susținere din spatele căștii pentru o fixare sigură și confortabilă. Această cască este concepută pentru a absorbi energia unei lovituri prin distrugerea parțială sau deteriorarea carcasei și a hamului sau a căptușelii de protecție și chiar dacă o astfel de deteriorare nu este evidentă orice cască supusă unui impact sever ar trebui înlocuită. Rabatați viziera în jos și trageți elementul de protecție a feței sub bărbie asigurându-vă că se pliază strâns pe față.

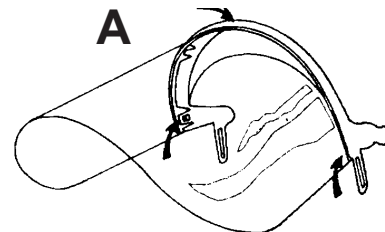
Întreținere

Înainte de utilizare, asigurați-vă că toate componentele produselor utilizate sunt intacte și funcționale. În cazul în care aveți nelămuriri, adresați-vă producătorului. Înlocuiți frecvent acoperirea vizierii și viziera atunci când sunt zgâriate sau deteriorate.

Alte operații de întreținere de rutină se limitează la curățarea carcasei, furtunului și canalului de aer și la înlocuirea elementului de protecție a feței după caz. Nu modificați și nu eliminați niciuna din piesele componente originale ale căștii sau alte piese ale echipamentului de protecție respiratorie decât cele recomandate de producător. Nu aplicați vopsele, solvenți, adezivi sau etichete autocolante.

Montarea unei viziere noi

Pentru a demonta vechea vizieră, mai întâi scoateți opritorul alb din mijlocul suportului de vizieră (A) și scoateți viziera. Pentru a monta noua vizieră, amplasați mai întâi orificiile la ambele capete ale ecranului pe bolțurile din suportul ecranului. Apăsăți ușor pe partea frontală a ecranului pentru a se fixa în loc. Apoi, montați la loc opritorul alb astfel încât să iasă atât prin suportul de vizieră, cât și prin orificiul central al vizierii.



Scoaterea/inlocuirea elementului de protecție a capului/feței

Elementul de protecție a capului/feței este fixat cu scai, pentru a înlocui: -

1. Cu casca așezată pe o suprafață dreaptă, detașați ansamblul furtunului de la canalul de aer ținând canalul de aer ferm și răsucind elementul de fixare tip baionetă în sens antiorar.
2. Detașați elementul vechi de protecție a capului/feței de la banda cu scai.
3. Atașați banda cu scai a elementului de protecție a capului/feței la banda cu scai de la cască, începând din punctul central, urmând conturul de la cască și asigurându-vă că îmbinarea este dreaptă, uniformă și fără cute.

024-001-911 Rev B ConceptAir 07/2019

Regulamentul PPE (UE) 2016/425 sau Directiva PPE 89/686/CEE: Examinare de tip UE/CE (în funcție de caz) de către: BSI Group The Netherlands B.V., Say Building, John M. Keynesplein 9, 1066 EP, Amsterdam, The Netherlands (organismul notificat nr. 2797) sau BSI Assurance UK Ltd, Kitemark Court, Davy Avenue, Knowlhill, Milton Keynes MK5 8PP, UK (organismul notificat nr. 0086) conform specificației de pe eticheta produsului.

Curățarea

Ștergeți cu o cârpă moale umedă (nu udă) înmuiată în apă caldă cu săpun pentru a curăța casca, furtunul și canalul de aer. Uscați ștergând cu o cârpă moale uscată. **Nu lăsați să intre apă în canalul de aer.** Trebuie acționat cu atenție pentru a se evita zgârirea produselor. **AVERTISMENT: Nu curățați cu solvenți disponibili în comerț sau cu compuși organici.** Elementul de protecție a feței poate fi spălat la 40C cu detergent de uz casnic.

Cască cu vizieră din policarbonat R23FUVNKIT

R23FUVNKIT este o vizieră rabatabilă care asigură alimentarea cu aer de la sursa de alimentare montată în jurul taliei printr-un furtun spiralat de PVC întărit și un canal de aer intern ușor. Aerul este evacuat în partea superioară a zonei vizierei maximizând anti-aburirea și este direcționat către zona de respirație.

R23FUVNKIT este concepută pentru a fi utilizată în locuri unde există un pericol pentru respirație, iar utilizatorul are nevoie de un echipament de protecție a feței și a ochilor. Sistemul de protecție a feței/ochilor este destinat să protejeze purtătorul împotriva impactului și contactului direct cu reziduurile proiectate.

Scoateți acoperirea de protecție de pe partea exterioară a vizierei înainte de utilizare.

Inspectați viziera pentru a vă asigura că nu există deteriorări vizibile la nivelul vizierei, ecranului pentru protecția feței, elementului de protecție a capului, elementului de protecție a feței sau furtunului.

Montare

Înainte de a vă pune viziera, conectați furtunul la vizieră și la sursa de alimentare și puneți-vă centura cu catarama în față.

Verificați dacă aerul iese din partea frontală a canalului de aer interior. Puneți-vă viziera și reglați cureaua de la coroană pentru a se așeza confortabil cu banda de susținere deasupra urechilor. Reglați hamul pentru cap la dimensiunea corectă cu ajutorul butonului cu clicet din spate. Rabatați viziera în jos și trageți elementul de protecție a feței sub bărbie asigurându-vă că se pliază strâns pe față. Trageți în jos elementul de protecție a capului astfel încât să se suprapună cu marginile ecranului pentru protecția feței de-a lungul îmbinării cu viziera. Introduceți elementul pentru protecția capului sub marginea ecranului pentru protecția feței pentru a fi montat cât mai aproape posibil între elementul de protecție a capului și elementul de protecție a feței.

Montarea unei viziere noi

Viziera trebuie înlocuită dacă prezintă zgârieturi sau ciupituri.

Pentru a demonta viziera trebuie mai întâi să scoateți cele trei opritoare frontale împingându-le în afară din interior.

Apoi, apăsați viziera pentru a îndepărta părțile laterale de la ecranul pentru protecția feței și demontați.

Pentru a monta o nouă vizieră, amplasați orificiile la ambele capete ale vizierei în ecranul pentru protecția feței.

Așezați viziera în canalul din ecranul pentru protecția feței și apăsați ușor în partea frontală a vizierei pentru a o trece peste bolțul din suportul central până când se așază în orificiul central al vizierei.

Asigurați-vă că toate bolțurile suportului sunt amplasate complet în orificiile vizierei. Montați la loc cele două opritoare albe în partea frontală a ecranului pentru protecția feței atât prin ecranul pentru protecția feței, cât și prin vizieră. Notă: Elementul de protecție a capului, elementul de protecție a feței, furtunul sau canalul de aer trebuie înlocuite în cazul în care sunt deteriorate.

Demontarea/înlocuirea elementului de protecție a capului/feței

Elementul de protecție a capului/feței este fixat cu scai, pentru a înlocui: -

1. Cu casca așezată pe o suprafață dreaptă, detașați ansamblul furtunului de la canalul de aer ținând canalul de aer ferm și răsucind elementul de fixare tip baionetă în sens antiorar.
2. Detașați elementul vechi de protecție a capului/feței de la banda cu scai.
3. Atașați banda cu scai a elementului de protecție a capului/feței la banda cu scai de la cască, începând din punctul central, urmând conturul de la cască și asigurându-vă că îmbinarea este dreaptă, uniformă și fără cute.

Demontarea/înlocuirea benzii protectoare împotriva transpirației/buretelui pentru confortul capului

Banda protectoare împotriva transpirației și buretele pentru confortul capului se pot înlocui foarte ușor.

Pentru a înlocui banda protectoare împotriva transpirației: -

1. Scoateți 2 șuruburi cu ¼ de rotație din canalul de aer.
2. Scoateți vechea bandă protectoare împotriva transpirației.
3. Amplasați cele 4 orificii de pe banda protectoare împotriva transpirației de schimb peste cele 4 urechi de fixare ale benzii de susținere.
4. Amplasați 2 șuruburi cu ¼ de rotație în canalul de aer și fixați.
5. Pliati banda protectoare împotriva transpirației peste banda de susținere și amplasați pe urechile de fixare.

Curățarea

Ștergeți cu o cârpă moale umedă (nu udă) înmuiată în apă caldă cu săpun pentru a curăța viziera, ecranul pentru protecția feței și furtunul. Uscați ștergând cu o cârpă moale uscată. **Nu lăsați să intre apă în canalul de aer.** **AVERTISMENT: Nu curățați cu solvenți disponibili în comerț sau cu compuși organici.** Elementul de protecție a feței și a capului poate fi spălat la 40°C cu detergent de uz casnic.

R23AWH9/13KIT – Mască de sudor ADF

R23AWH9/13KIT este o mască de sudor cu întunecare automată care asigură alimentarea cu aer de la sursa de alimentare montată în jurul taliei printr-un furtun spiralat de PVC întărit și un canal de aer intern ușor. **R23AWH9/13KIT** este conceput pentru a fi utilizat în locuri unde există un pericol pentru respirație, iar utilizatorul are nevoie de un echipament de protecție a feței și a ochilor. Masca de sudor este concepută pentru a proteja împotriva razelor UV/IR, particulelor cu impact redus și scânteiilor.

Masca de sudor este prevăzută cu un filtru de sudură cu întunecare automată (ADF). Întrucât filtrul este transparent înainte de sudură, operatorii pot să vadă clar suprafața de lucru. La aprinderea unui arc electric, filtrul se întunecă automat în circa 0,08 ms. Când arcul se stinge, filtrul redevine transparent. Operatorul poate seta timpul de comutare de la întunecat la luminos în intervalul 0,1-0,9 secunde. Masca de sudor este prevăzută cu o unitate de reglare continuă a întunecării; operatorul poate selecta un număr arbitrar de nuanțe de întunecare cuprins între 5 și 13.

Masca de sudor le oferă operatorilor protecție completă și permanentă până la DIN15 împotriva razelor UV/IR chiar și în stare transparentă. Alimentarea este asigurată de celule solare și de o baterie care poate fi înlocuită. ADF este prevăzută cu 4 seturi de fotosenzori pentru a detecta lumina arcului. În plus, masca este prevăzută și cu o placă de protecție exterioară fabricată din materiale din polimer cu greutate moleculară ridicată. Placa este rezistentă la uzură, termosta-bilă și cu funcție anti-stropire, asigurând o durabilitate mare.

Înainte de prima utilizare, scoateți acoperirea de protecție de pe partea exterioară a lentilei antistropi și de partea interioară a ADF.

Inspectați masca de sudor pentru a vă asigura că nu există deteriorări vizibile la nivelul căștii, lentilelor, elementului de protecție a capului, elementului de protecție a feței sau furtunului.

024-001-911 Rev B ConceptAir 07/2019

Regulamentul PPE (UE) 2016/425 sau Directiva PPE 89/686/CEE: Examinare de tip UE/CE (în funcție de caz) de către: BSI Group The Netherlands B.V., Say Building, John M. Keynesplein 9, 1066 EP, Amsterdam, The Netherlands (organismul notificat nr. 2797) sau BSI Assurance UK Ltd, Kitemark Court, Davy Avenue, Knowlhill, Milton Keynes MK5 8PP, UK (organismul notificat nr. 0086) conform specificației de pe eticheta produsului.

AVERTISMENT

Citiți și asigurați-vă că ați înțeles toate instrucțiunile înainte de utilizare.

- Asigurați-vă că nuanța întunecată a lentilei de la masca de sudor corespunde cu număr corect de nuanță pentru aplicația dvs.
- Aceste măști și lentile nu sunt adecvate pentru sudură „peste cap”, sudură cu laser sau aplicații de tăiere cu laser.
- Măștile de sudor sunt concepute pentru a proteja ochii și fața împotriva scânteilor, stropilor și radiațiilor dăunătoare în condiții normale de sudare.
- Această mască nu oferă protecție împotriva dispozitivelor explozive sau lichidelor corozive. Dacă sunt prezente astfel de pericole, trebuie utilizate aparatoare la utilajului sau echipamente de protecție a ochilor împotriva stropilor.
- Evitați să lucrați în poziții în care anumite părți neprotejate ale corpului ar putea fi expuse la scântei, stropi și/sau radiații reflectate. Utilizați mijloace adecvate de protecție în cazul în care expunerea nu poate fi evitată.
- Înainte de fiecare utilizare, verificați etanșeitatea la lumină. Înainte de fiecare utilizare, asigurați-vă că plăcile de protecție sunt curate și că senzorii din partea frontală a lentilei nu sunt acoperiți de murdărie.
- Controlați toate părțile componente înainte de fiecare utilizare pentru a depista orice semne de uzură sau deteriorare. Componentele zgâriate, fisurate sau ciobite trebuie înlocuite imediat.
- Nu aduceți lentilei sau măștii de sudor alte modificări în afara celor precizate în acest manual. Nu folosiți alte piese de schimb decât cele precizate în acest manual. Orice modificare și piesă de schimb neautorizate vor anula garanția și vor expune utilizatorul la pericolul de accidentare.
- Dacă această lentilă nu se întunecă la aprinderea arcului electric, opriți imediat sudarea.
- Nu curățați lentilele sau componentele măștii cu solvenți.
- Intervalul de temperatură de funcționare recomandat pentru lentila de sudură este cuprins între -10°C și 65°C (14°F-149°F). Nu folosiți masca la temperaturi care depășesc limitele intervalului menționat mai sus.

Montare

Înainte de a vă pune masca de sudor, conectați furtunul la vizieră și la sursa de alimentare și puneți-vă centura cu catarama în față. Verificați dacă aerul iese din partea frontală a canalului de aer interior. Asigurați-vă că senzorii de pe ADF sunt curați și neobstrucționați. Asigurați-vă că suportul ADF este montat bine și că închizătorul de pe ADF este închis.

Puneți-vă masca de sudor și reglați cureaua de la coroană pentru a se așeza confortabil cu banda de susținere deasupra urechilor. Reglați hamul pentru cap la dimensiunea corectă cu ajutorul butonului cu clichet din spate. Rabatați masca de sudor în jos și trageți elementul de protecție a feței sub bărbie asigurându-vă că se pliază strâns pe față. Strângeți cordorul.

Pentru vizibilitate optimă, unghiul benzii de susținere din interiorul măștii de sudor poate fi reglat.

Scoaterea/înlocuirea elementului de protecție a capului/feței

Elementul de protecție a capului/feței este fixat cu scai de masca de sudor, pentru a înlocui: -

1. Cu casca așezată pe o suprafață dreaptă, detașați ansamblul furtunului de la canalul de aer ținând canalul de aer ferm și răsucind elementul de fixare tip baionetă în sens antiorar.
2. Detașați elementul vechi de protecție a capului/feței de la banda cu scai.
3. Atașați banda cu scai a elementului de protecție a capului/feței la banda cu scai de la cască, începând din punctul central, urmând conturul de la cască și asigurându-vă că îmbinarea este dreaptă, uniformă și fără cute.

Demontarea/înlocuirea benzii protectoare împotriva transpirației/buretelui pentru confortul capului

Banda protectoare împotriva transpirației și buretele pentru confortul capului se pot înlocui foarte ușor.

Pentru a înlocui banda protectoare împotriva transpirației: -

1. Scoateți 2 șuruburi cu ¼ de rotație din canalul de aer.
2. Scoateți vechea bandă protectoare împotriva transpirației.
3. Amplasați cele 4 orificii de pe banda protectoare împotriva transpirației de schimb peste cele 4 urechi de fixare ale benzii de susținere.
4. Amplasați 2 șuruburi cu ¼ de rotație în canalul de aer și fixați.
5. Pliati banda protectoare împotriva transpirației peste banda de susținere și amplasați pe urechile de fixare.

Pentru a înlocui buretele pentru confortul capului: -

1. Scoateți vechiul burete pentru confortul capului, îndepărtați toate reziduurile de pe banda cu scai.
2. Montați noul burete pentru confort, amplasați central pe banda de susținere și apăsați banda cu scai ferm în poziție.

Curățarea

Ștergeți cu o cârpă moale umedă (nu udă) înmuiată în apă caldă cu săpun pentru a curăța masca de sudor, elementul de protecție a feței și furtunul. Aveți grijă când curățați lentilele exterioare/interioare deoarece se pot zgâria. Uscați ștergând cu o cârpă moale uscată și așteptați să se usuce în aer liber. Nu lăsați să intre apă în canalul de aer. AVERTISMENT: Nu curățați cu solvenți disponibili în comerț sau cu compuși organici.

ADF



Explicația marcajelor de omologare:

XA-1021

Denumire model ADF

CSS

Marcajul producătorului

4/5-9/9-13

Intervale de nuanțe disponibile (consultați tabelul cu numerele nuanțelor recomandate pentru aplicații)

1/1/1/1/379

Explicația certificării ADF

1 = clasă optică

1 = clasă de lumină difuză

1 = clasă de omogenitate

1 = clasa dependenței de unghi

379 = Standard EN 379

Pentru a înlocui lentila ADF, deplasați pur și simplu comutatorul în partea inferioară în poziția de deblocare și trageți ușor afară din mască. Bateria și întrerupătorul exterior trebuie demontate, împingând cu atenție în afară clema de fixare din partea de sus, eliberând slotul de amplasare din partea inferioară a grupului de baterii.

Setare sudură/polizare

Setați comutatorul modului sudură/polizare în poziția corespunzătoare în funcție de operația pe care doriți să o efectuați: sudură sau polizare.

024-001-911 Rev B ConceptAir 07/2019

Regulamentul PPE (UE) 2016/425 sau Directiva PPE 89/686/CEE: Examinare de tip UE/CE (în funcție de caz) de către: BSI Group The Netherlands B.V., Say Building, John M. Keynesplein 9, 1066 EP, Amsterdam, The Netherlands (organismul notificat nr. 2797) sau BSI Assurance UK Ltd, Kitemark Court, Davy Avenue, Knowlhill, Milton Keynes MK5 8PP, UK (organismul notificat nr. 0086) conform specificației de pe eticheta produsului.

Centurion Safety Products Ltd

T: +44 (0) 1842 754266 | F: +44 (0) 1842 765590 | sales@centurionsafety.co.uk | 21 Howlett Way, Thetford, Norfolk, IP24 1HZ, England

centurionsafety.eu

1. Carcasă cască
2. Piuliță de blocare
3. Placă de protecție exterioară
4. Filtru automat
5. Placă de protecție interioară
6. Cadru
7. Închizător cadru ADF
8. Glisor angrenaj cap (cu 3 fante)

9. Șurub angrenaj cap (cu 3 fante)
10. Buton de reglare strângere bandă de susținere
11. Conector angrenaj cap
12. Șurub angrenaj cap (lung pe dreapta)
13. Șaibă de blocare (pe dreapta)
14. Butoane de reglare bandă de susținere
15. Placă de poziție segmentată (pe dreapta)
16. Bandă protectoare împotriva transpirației M23SB-WH

17. Buton de selectare a intervalului de nuanțe
18. Buton de reglare a numărului nuanței
19. Buton de comutare sudare/polizare
20. Punct de poziționare pentru placa segmentată
21. Buton sensibilitate
22. Buton temporizare
23. Lampă de avertizare baterie descărcată
24. Semnal luminos polizare

Principalele piese de schimb

Descriere	Cod
Cască/cască cu vizieră de schimb	R23CHFUV
Cască cu vizieră de schimb	R23FUVN
Mască de sudor de schimb	R23AWH9/13
Lentilă sudură ADF de schimb	R23ADF9/13
Filtru anti-stropire sudură de schimb (10)	R23OLCH
Acoperire lentilă sudură interioară de schimb (10)	R23ILCH
Acoperire furtun Proban	R23PHS
Acoperire vizieră (cască/vizieră și căști cu vizieră) (50)	R23VC50N
Benzi protectoare împotriva transpirației de unică folosință (vizieră) (10)	R23SB
bandă protectoare împotriva transpirației + 2 șuruburi (vizieră sudură)	R23SBAWH
Element de protecție a feței de schimb (cască/vizieră)	R23CHFUVF/PN
Element de protecție a feței de schimb (vizieră)	R23FN
Element de protecție a feței de schimb (mască de sudor)	R23CAWF
Vizieră din policarbonat de schimb pentru cască/cască cu vizieră	R23CHFUVVP
Vizieră din policarbonat de schimb împreună cu scai pentru cască cu vizieră	R23VN
Ansamblu furtun de schimb (0,85 m)	R23HAHD
Ansamblu furtun (1 m, de mare capacitate)	R23HAHDL

Explicația omologărilor căștii de protecție și vizierii

Casca de protecție este certificată conform următoarelor standarde:

EN 397

MM	Protecție împotriva stropilor de metal topit
-40°C	Protecție la impact la temperaturi joase
LD	Protecție împotriva deformării laterale
440 V c.a.	Adecvată pentru utilizare în condiții de tensiune electrică periculoasă de până la 440 V c.a.
1000 V c.a.	Adecvată pentru utilizare în condiții de tensiune electrică periculoasă de până la 1000 V c.a. (EN 50365)

Vizierele de la cască/viziera și căștile cu vizieră sunt certificate conform următoarelor standarde:

EN 166

1	Cea mai înaltă clasă optică
B	Protecție la impact (120 m/s)
3	Protecție împotriva stropilor de lichid
9	Protecție împotriva stropilor de metal topit

Depozitare (toate căștile)

Toate căștile trebuie depozitate în locuri uscate și curate, la temperaturi cuprinse între -5°C și +55°C la RH<90% în ambalajul original. Condițiile ideale de depozitare sunt cuprinse între 5°C și 35°C R.H. < 60%. A se transporta în ambalajul original. Depozitat în condiții corespunzătoare, produsul are o durată de depozitare de 5 ani.

Garantie

Potrivit garanției, căștile ConceptAir nu trebuie să prezinte defecțiuni de fabricație sau în ce privește materialele. În cazul în care ies la iveală astfel de defecțiuni în termen de 12 luni de la data achiziționării, Centurion Safety Products Ltd va dispune, după cum va considera necesar, repararea sau înlocuirea gratuită a măștii.

024-001-911 Rev B ConceptAir 07/2019

Regulamentul PPE (UE) 2016/425 sau Directiva PPE 89/686/CEE: Examinare de tip UE/CE (în funcție de caz) de către: BSI Group The Netherlands B.V., Say Building, John M. Keynesplein 9, 1066 EP, Amsterdam, The Netherlands (organismul notificat nr. 2797) sau BSI Assurance UK Ltd, Kitemark Court, Davy Avenue, Knowlhill, Milton Keynes MK5 8PP, UK (organismul notificat nr. 0086) conform specificației de pe eticheta produsului.

Centurion Safety Products Ltd
T: +44 (0) 1842 754266 | F: +44 (0) 1842 765590 | sales@centurionsafety.co.uk | 21 Howlett Way, Thetford, Norfolk, IP24 1HZ, England

centurionsafety.eu



DEEE



DEEE (se referă NUMAI la unitatea de alimentare, baterie și încărcător)

ACESTE PRODUSE NU TREBUIE ELIMINATE ÎMPREUNĂ CU DEȘEURILE MUNICIPALE GENERALE

- Simbolul tomberon tăiat, cu bară solidă, afișat pe acest produs, pe ambalajul său sau în instrucțiuni indică faptul că produsul intră sub incidența directivei 2002/96/CE privind gestionarea corectă a deșeurilor de echipamente electrice și electronice (DEEE).
- DEEE nu pot fi eliminate ca deșeuri municipale, ci trebuie colectate și eliminate separat. Trebuie să utilizați sisteme adecvate publice sau private de colectare a deșeurilor în conformitate cu reglementările naționale și locale.
- Produsul poate conține substanțe care ar putea dăuna mediului sau sănătății umane în cazul în care este eliminat incorect.

Pentru mai multe informații sau pentru Declarația de conformitate UE/CE (după caz), vă rugăm să vizitați site-ul nostru centurionsafety.eu

024-001-911 Rev B ConceptAir 07/2019

Regulamentul PPE (UE) 2016/425 sau Directiva PPE 89/686/CEE: Examinare de tip UE/CE (în funcție de caz) de către: BSI Group The Netherlands B.V., Say Building, John M. Keynesplein 9, 1066 EP, Amsterdam, The Netherlands (organismul notificat nr. 2797) sau BSI Assurance UK Ltd, Kitemark Court, Davy Avenue, Knowlhill, Milton Keynes MK5 8PP, UK (organismul notificat nr. 0086) conform specificației de pe eticheta produsului.

Centurion Safety Products Ltd

T: +44 (0) 1842 754266 | F: +44 (0) 1842 765590 | sales@centurionsafety.co.uk | 21 Howlett Way, Thetford, Norfolk, IP24 1HZ, England

centurionsafety.eu



Innan du använder huvudskyddet är det viktigt att du läser dessa anvisningar och de som medföljer adaptern.

Tabellen nedan visar de ConceptAir-system som är certifierade samt relevanta godkännanden.

Artikelnummer	Beskrivning	Certifiering för andningsskydd	Skyddsfaktor andning NPF/APF	Certifiering för huvud/ögon
R23CHFUVKIT	Hjälmvisir PAPR System	EN 12941:1998+A2:2008 TH2P	NPF 50	EN 397 och EN 166
R23FUVNKIT	Visir PAPR System	EN 12941:1998+A2:2008 TH2P	NPF 50	EN 166
R23AWH9/13KIT	Svetshjälm PAPR System	EN 12941:1998+A2:2008 TH2P	NPF 50	EN 166 och EN 175

Nominell skyddsfaktor (NPF) härleds från laborietester som utförts enligt EN12941. Information om landsspecifik skyddsfaktor finns i EN529.

WARNING

- Andningsskyddet minskar om inte huvudstycket är korrekt monterat och underhålls korrekt.
- Inget andningsskydd ges när visiret är uppfällt.
- Det andningsskydd som ges av visir och huvor kan minska vid höga vindhastigheter.
- I det osannolika fall att strömadaptern stängs av eller inte fungerar ges lite eller inget andningsskydd.
- I avstängt läge kan koldioxidhalten stiga snabbt och syrebrist inträffa.
- Montering och inpassning av all skyddsutrustning ska göras i en miljö med ren luft.
- Användaren ska lämna det kontaminerade området och avlägsna alla föroreningar från kropp och kläder innan andningsskyddet tas av.

R23CHFUVKIT – hjälm med polykarbonatvisir

R23CHFUVKIT är en hjälm med uppfällbart visir och luftmatning från en midjeplacerad strömadapter via en spiralförstärkt PVC-slang och intern luftkanal med låg vikt. Luften leds ut upptill i visirområdet, vilket motverkar imma på bästa sätt och riktar luften till andningszonen. **R23CHFUVKIT** är avsedd att användas på platser där det finns en definierad andningsrisk och användaren måste ha huvud-, ansikts- och ögonskydd. Skyddshjälmen är avsedd att skydda bäraren mot fallande föremål och hjärnskador till följd av detta. Ansikts-/ögonskyddet är avsett att skydda mot slag och skräp som flyger omkring.

Ta bort skyddshöljet från visirets utsida före användning.

Kontrollera att det inte finns några synliga skador på visir, pannskydd, huvudskydd, ansiktstätning eller slang.

Kontrollera att det inte finns några synliga skador på hjälm, visir, huvudskydd, ansiktstätning eller slang.

Inpassning

Innan du sätter på dig hjälmen ska slangen anslutas till hjälm och strömadapter och du ska sätta på dig midjebältet med spännet framåt. Kontrollera att luften kommer ut framtill i den inre luftkanalen i hjälmen och justera huvudbandet så att insatsen sitter bekvämt på huvudet. Sätt på dig hjälmen och dra åt huvudbandet. OBS! För att skydda huvudet på adekvat sätt måste hjälmen passa eller justeras efter storleken på användarens huvud. Justera hjälmen med hjälp av huvudbandet på baksidan av hjälmen så att den sitter säkert och bekvämt. Denna hjälm är gjord för att absorbera kraften från ett slag eller partiella skador på skal och insats eller vaddering och även om sådana skador inte är tydliga bör alla hjälmar som har utsatts för allvarliga stötar bytas ut. Fäll ner visiret och dra ansiktstätningen under hakan så att den sluter tätt kring ansiktet.

Underhåll

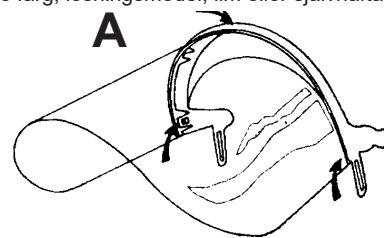
Kontrollera att alla delar fungerar och är oskadade före användning. Kontakta tillverkaren om du är osäker.

Byt visirskydd ofta och byt visiret när det är repat eller skadat.

Övrigt rutinunderhåll är begränsat till rengöring av skal, slang och luftkanal och byte av ansiktstätningen vid behov. Modifiera inte och ta inte bort några av originalkomponenterna i hjälmen eller andra andningsdelar än de som rekommenderas av tillverkaren. Applicera inte färg, lösningsmedel, lim eller självhäftande dekaler.

Montera ett nytt visir

Demontera det gamla visiret genom att först avlägsna det vita stiftet mitt på visirhållaren (A) och ta bort visiret. Montera ett nytt visir genom att först placera hålen i båda ändarna av glaset på stiften i glashållaren. Tryck försiktigt längst fram på glaset för att föra det på plats. Montera sedan det vita stiftet så att det går igenom både visirhållaren och hålet mitt på visiret.



Demontera/byta huvud-/ansiktstätning

Huvud-/ansiktstätningen fixeras med kardborreband, för byte: -

1. Placera hjälmen på en plan yta, lossa slangen från luftkanalen genom att ta ett fast grepp om luftkanalen och vrida bajonettfästet moturs.
2. Lossa den gamla huvud-/ansiktstätningen från kardborrebandet.
3. Fäst huvud-/ansiktstätningens kardborreband mot hjälmens kardborreband. Från mittpunkten följer du hjälmens konturer och ser till att fogen är platt, jämn och utan veck.

Rengöring

Torka av med en fuktig (inte våt) mjuk duk som har doppats i varmt tvålsvatten för att rengöra hjälmen, slangen och luftkanalen. Torka torrt med en mjuk torr trasa. Låt inte vatten komma in i luftkanalen.

Undvik att repa produkten. WARNING: Rengör inte med kommersiella lösningsmedel eller organiska föreningar. Ansiktstätningen kan tvättas vid 40 °C med vanligt tvättmedel.

024-001-911 Rev B ConceptAir 07/2019

Förordningen om personlig skyddsutrustning (EU) 2016/425 eller direktivet om personlig skyddsutrustning 89/686/EEG: EU/EG-typprovning utförd av: BSI Group The Netherlands B.V., Say Building, John M. Keynesplein 9, 1066 EP, Amsterdam, Nederländerna (anmält organ nr 2797) eller BSI Assurance UK Ltd, Kitemark Court, Davy Avenue, Knowlhill, Milton Keynes MK5 8PP, Storbritannien (anmält organ nr 0086) som anges på produktetiketten.

Centurion Safety Products Ltd
T: +44 (0) 1842 754266 | F: +44 (0) 1842 765590 | sales@centurionsafety.co.uk | 21 Howlett Way, Thetford, Norfolk, IP24 1HZ, England
centurionsafety.eu

R23FUVNKIT – hjälm med polykarbonatvisir

R23FUVNKIT är ett uppfällbart visir med luftmatning från en midjeplacerad strömadapter via en spiralförstärkt PVC-slang och intern luftkanal med låg vikt. Luften leds ut upptill i visirområdet, vilket motverkar imma på bästa sätt och riktar luften till andningszonen.

R23FUVNKIT är avsedd att användas på platser där det finns en definierad andningsrisk och användaren måste ha ansikts- och ögonskydd. Ansikts-/ögonskyddet är avsett att skydda mot slag och skräp som flyger omkring.

Ta bort skyddshöljet från visirets utsida före användning.

Kontrollera att det inte finns några synliga skador på visir, pannskydd, huvudskydd, ansiktstätning eller slang.

Inpassning

Innan du sätter på dig visiret ska slangen anslutas till visir och strömadapter och du ska sätta på dig midjebältet med spännet framåt.

Kontrollera att luften kommer ut framtill i den inre luftkanalen. Sätt på dig visiret och justera hjässbandet för att få en bekväm passform med huvudbandet ovanför öronen. Justera huvudbandet till rätt storlek med det bakre spärrvedet. Fäll ner visiret och dra ansiktstättningen under hakan så att den sluter tätt kring ansiktet. Dra ner huvudskyddet så att det överlappar kanterna på pannskyddet längs fogen mot visiret. Stoppa in huvudtätningen under bakkanten av pannskyddet så att huvudtätning och ansiktstätning sluter så tätt som möjligt.

Montera ett nytt visir

Visiret ska bytas ut när det har fått repor eller skador.

Demontera visiret genom att först trycka ut de tre stiften från insidan.

Tryck sedan på visiret för att böja undan sidorna från pannskyddet och ta av det.

Montera ett nytt visir genom att först placera hålen i båda ändarna av pannskyddet.

För in glaslet in i slitens i pannskyddet och tryck försiktigt på framsidan av visiret för att böja det över stiftet i mitten tills den sitter på plats i visirhålet.

Kontrollera att alla stift sitter helt i visirhålen. För in de två vita stiften framtill på pannskyddet genom både pannskydd och visir. OBS! Huvudskyddet, ansiktstättningen, luftslangen eller kanalen ska bytas ut vid skador.

Demontera/byta huvud-/ansiktstätning

Huvud-/ansiktstättningen fixeras med kardborreband, för byte: -

1. Placera hjälmen på en plan yta, lossa slangen från luftkanalen genom att ta ett fast grepp om luftkanalen och vrida bajonettfästet moturs.
2. Lossa den gamla huvud-/ansiktstättningen från kardborrebandet.
3. Fäst huvud-/ansiktstättningens kardborreband mot hjälmens kardborreband. Från mittpunkten följer du hjälmens konturer och ser till att fogen är platt, jämn och utan veck.

Ta bort/byta svettband/komfortvaddering

Både svettband och komfortvaddering kan enkelt bytas ut.

Så här byter du svettbandet: -

1. Avlägsna 2 x ¼-bultar från luftkanalen.
2. Avlägsna det gamla svettbandet.
3. Placera de 4 stansade hålen på det nya svettbandet över de 4 stiften på huvudbandet.
4. För in 2 x ¼-bultar i luftkanalen och säkra.
5. Vik svettbandet över huvudbandet och fäst det på stiften.

Rengöring

Torka av med en fuktig (inte våt) mjuk duk som har doppats i varmt tvålvatten för att rengöra visiret, pannskyddet och slangen. Torka torrt med en mjuk torr trasa. **Låt inte vatten komma in i luftkanalen. VARNING: Rengör inte med kommersiella lösningsmedel eller organiska föreningar.** Ansiktstättningen kan tvättas vid 40 °C med vanligt tvättmedel.

R23AWH9/13KIT – ADF-svetshjälm huvudstycke

R23AWH9/13KIT är en svetshjälm som mörknar automatiskt, med luftmatning från en strömadapter som bärs i midjehöjd via en spiralförstärkt PVC-slang och intern luftkanal med låg vikt. **R23AWH9/13KIT** är avsedd att användas på platser där det finns en definierad andningsrisk och användaren måste ha ansikts- och ögonskydd. Svetshjälmen är avsedd att skydda mot UV/IR, partiklar med låg slagkraft och svetsgnistor.

Svetshjälmen är utrustad med ett filter som mörknar automatiskt (ADF). Filtret är transparent före svetsning så att operatören kan se arbetsytan tydligt. När ljusbågen skapas mörknar filtret automatiskt på ca 0,08 ms. När bågen slocknar blir filtret transparent igen. Operatören kan ställa in övergångstiden från mörkt till ljus inom 0,1–0,9 sekunder. Svetshjälmen är utrustad med kontinuerlig mörkerjustering, så att operatören kan välja ett godtyckligt nyansnummer från 5–13.

Svetshjälmen ger operatören permanent fullständigt skydd upp till DIN15 mot UV/IR även i transparent tillstånd. Effekten tillhandahålls av solceller och ett utbytbar batteri. ADF har fyra uppsättningar fotosensorer som känner av ljusbågar. Dessutom är masken försedd med en yttre skyddsplatta av högpolymermaterial. Plattan är slitstark, termostabil och stänkskyddande, vilket ger en lång livslängd.

Avlägsna skyddet från glasets insida och utsida före den första användningen.

Kontrollera att det inte finns några synliga skador på hjälm, glas, huvudskydd, ansiktstätning eller slang.

VARNING

Läs och förstå alla instruktioner innan du använder utrustningen.

- Kontrollera att glasets mörkhetsgrad har rätt nyansnummer för din tillämpning.
- Hjälmar och glasen är inte avsedda för svetsning över huvudhöjd, lasersvetsning eller laserskärning.
- Svetshjälmar är utformade för att skydda ögonen och ansiktet mot gnistor, stänk och skadlig strålning under normala svetsförhållanden.
- Denna hjälm skyddar inte mot explosiv utrustning eller frätande vätskor. Maskinskydd eller stänkskydd för ögonen måste användas när dessa risker föreligger.
- Undvik arbetsställningar som kan exponera oskyddade delar av kroppen för gnistor, stänk, direkt och/eller reflekterad strålning. Använd lämplig skydd om exponering inte kan undvikas.
- Kontrollera ljusstätheten före varje användning. Före varje användning kontrollerar du att skyddsplattorna är rena och att ingen smuts täcker sensorerna på glasets framsida.
- Kontrollera alla delar före varje användning med avseende på slitage eller skador. Delar med repor, sprickor eller andra skador ska bytas ut omedelbart.
- Gör inga modifieringar av svetsglas eller hjälm, förutom de som anges i denna bruksanvisning. Använd inga andra reservdelar än de som anges i denna bruksanvisning. Obehöriga modifieringar och ej godkända reservdelar innebär att garantin upphör och utsätter användaren för risk för personskada.

024-001-911 Rev B ConceptAir 07/2019

Förordningen om personlig skyddsutrustning (EU) 2016/425 eller direktivet om personlig skyddsutrustning 89/686/EEG: EU/EG-typgodkänning utförd av: BSI Group The Netherlands B.V., Say Building, John M. Keynesplein 9, 1066 EP, Amsterdam, Nederländerna (anmält organ nr 2797) eller BSI Assurance UK Ltd, Kitemark Court, Davy Avenue, Knowlhill, Milton Keynes MK5 8PP, Storbritannien (anmält organ nr 0086) som anges på produktetiketten.

Centurion Safety Products Ltd

T: +44 (0) 1842 754266 | F: +44 (0) 1842 765590 | sales@centurionsafety.co.uk | 21 Howlett Way, Thetford, Norfolk, IP24 1HZ, England

centurionsafety.eu



- Om glaset inte mörknar av ljusbågen ska svetsningen avbrytas omedelbart.
- Använd inga lösningsmedel på glas eller hjälmkomponenter.
- Det rekommenderade arbetstemperaturområdet för svetsglaset är -10 °C–65 °C. Använd inte denna utrustning utöver dessa temperaturgränser.

Inpassning

Innan du sätter på dig hjälmen ska slangen anslutas till visir och strömadapter och du ska sätta på dig midjebältet med spännet framåt. Kontrollera att luften kommer ut framtill i den inre luftkanalen. Kontrollera att sensorerna på ADF är rena och fria från hinder. Kontrollera att ADF-hållaren sitter ordentligt och att fästet på ADF är stängt.

Sätt på dig svetshjälmen och justera hjässbandet för att få en bekväm passform med huvudbandet ovanför öronen. Justera huvudbandet till rätt storlek med det bakre spärrvredet. Fäll ner svetshjälmen och dra in ansiktstättningen under hakan så att den sluter tätt kring ansiktet. **Dra åt dragskon.**

För optimal sikt kan vinkeln på huvudbandet inuti svetshjälmen justeras.

Demontera/byta huvud-/ansiktstättning

Huvud-/ansiktstättningen är fastsatt på hjälmen med kardborreband, för byte: -

1. Placera hjälmen på en plan yta, lossa slangen från luftkanalen genom att ta ett fast grepp om luftkanalen och vrida bajonettfästet moturs.
2. Lossa den gamla huvud-/ansiktstättningen från kardborrebandet.
3. Fäst huvud-/ansiktstättningens kardborreband mot hjälmens kardborreband. Från mittpunkten följer du hjälmens konturer och ser till att fogen är platt, jämn och utan veck.

Ta bort/byta svettband/komfortvaddering

Både svettband och komfortvaddering kan enkelt bytas ut.

Så här byter du svettbandet: -

1. Avlägsna 2 x ¼-bultar från luftkanalen.
2. Avlägsna det gamla svettbandet.
3. Placera de 4 stansade hålen på det nya svettbandet över de 4 stiften på huvudbandet.
4. För in 2 x ¼-bultar i luftkanalen och säkra.
5. Vik svettbandet över huvudbandet och fäst det på stiften.

Så här byter du komfortvadderingen: -

1. Avlägsna den gamla komfortvadderingen, rengör kardborreytan från eventuellt skräp.
2. Montera en ny komfortvaddering, centrera den på huvudbandet och tryckt fast kardborrebandet ordentligt.

Rengöring

Torka av med en fuktig (inte våt) mjuk duk som har doppats i varmt tvålsvatten för att rengöra svetshjälmen, slangen och luftkanalen. Var försiktig vid rengöring av glasets utsida/insida eftersom det kan repas. Torka av med en mjuk torr trasa och låt lufttorka. Låt inte vatten komma in i luftkanalen. VARNING: Rengör inte med kommersiella lösningsmedel eller organiska föreningar.

ADF



Förklaring av godkännandemärkning:

XA-1021	ADF-modellnamn
CSS	Tillverkarens märkning
4/5-9/9-13	Tillgängliga nyanser (se tabell över rekommenderade nyanser för olika tillämpningar)
1/1/1/1/379	Förklaring av ADF-certifiering
	1 = optisk klass
	1 = ströljus
	1 = homogenitet
	1 = vinkelberoende
	379 = EN 379-standard

Byt ut ADF-glasets genom att flytta reglaget till upplåst läge och långsamt lossa glaset från hjälmen. Batteriet och den externa omkopplingen avlägsnas genom att du försiktigt skjuter ut hållaren högst upp och lossar den nedre delen av batteripaketet.

Inställning för svetsning/slipning

Beroende på om du vill svetsa eller slipa ställer du in svets-/slipbrytaren i motsvarande position.

Nyansinställning

I svetsläge väljer du nyans enligt EN 379 (se tabell nedan).

Så här ställer du in ljuskänslighet/fördröjning:

- a. Ställ reglaget för ljuskänslighet på läge HI (maximal ljuskänslighet).
- b. Vrid långsamt reglaget för ljuskänslighet moturs tills ADF inte längre blir mörkare. LO-inställningen är lämplig vid högampersvetsning och svetsning under ljusa förhållanden. HI-inställningen är lämplig för lågampersvetsning, dåliga ljusförhållanden och TIG-svetsning. Vi rekommenderar att du använder en högre känslighet med denna ADF.
- c. Ställ in fördröjning från mörker till ljus (0,1 sek MIN till 0,9 sek MAX) efter behov. MIN-inställningen är idealisk för spårsvetsning eller produktionssvetsning med korta svetsar. MAX-inställningen är idealisk för högampersvetsning med efterglöd från svetsen.

Strömförsörjning

Strömförsörjningen för R23AWH 9/13 ADF tillhandahålls av solceller och ett utbytbart CR2450-litiumbatteri. ADF slås av och på automatiskt.

Varningslampan för lågt batteri

Varningslampan för lågt batteri blinkar när batteriet är lågt.

024-001-911 Rev B ConceptAir 07/2019

Förordningen om personlig skyddsutrustning (EU) 2016/425 eller direktivet om personlig skyddsutrustning 89/686/EEG: EU/EG-typprovning utförd av: BSI Group The Netherlands B.V., Say Building, John M. Keynesplein 9, 1066 EP, Amsterdam, Nederländerna (anmält organ nr 2797) eller BSI Assurance UK Ltd, Kitemark Court, Davy Avenue, Knowlhill, Milton Keynes MK5 8PP, Storbritannien (anmält organ nr 0086) som anges på produktetiketten.

Centurion Safety Products Ltd
T: +44 (0) 1842 754266 | F: +44 (0) 1842 765590 | sales@centurionsafety.co.uk | 21 Howlett Way, Thetford, Norfolk, IP24 1HZ, England
centurionsafety.eu

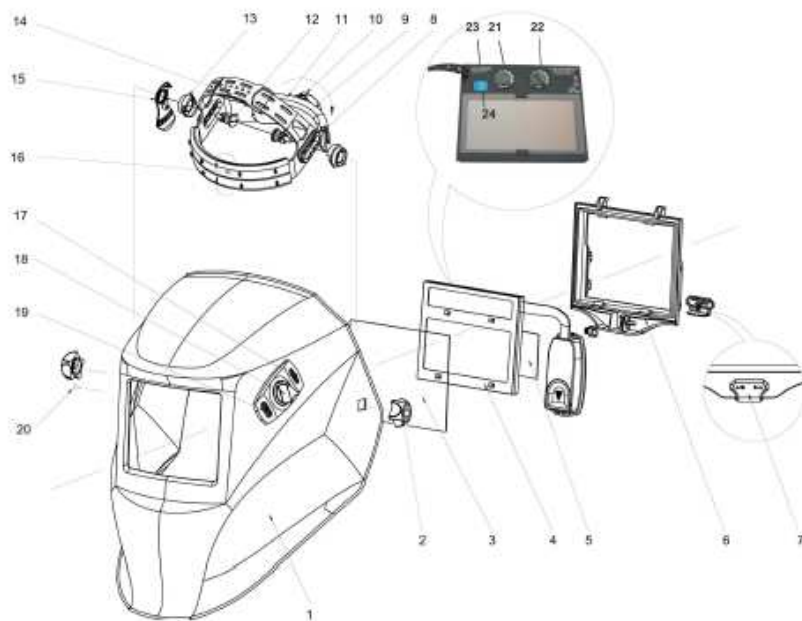
Blinkande ljus vid slipning

Slipljuset blinkar när du använder slipfunktionen.

WARNING: Undvik skador på ögonen genom att inte utföra svetsning i slipningsläge

Rekommenderade nyansnummer

Svetsförfarande	Elektrisk ström (A)																							
	1.5	6	10	15	30	40	60	70	100	125	150	175	200	225	250	300	350	400	450	500	600			
MMAW (belagda elektroder)	8						9			10			11			12			13			14		
MAG	8						9			10			11			12			13			14		
TIG				8		9		10			11			12			13							
MIG							9			10			11			12			13		14			
MIG-svetsning av lätta metaller										10			11			12			13		14			
Luftmejsling	10										11		12		13		14		15					
Plasmaskärning							9			10		11		12			13							
Mikroplasmavetsning	4		5		6		7		8		9		10		11		12							
	1.5	6	10	15	30	40	60	70	100	125	150	175	200	225	250	300	350	400	450	500	600			



1. Hjälmskal
2. Spärrmutter
3. Yttre skyddsplatta
4. Automatiskt filter
5. Inre skyddsplatta
6. Ram
7. ADF-ramlös
8. Reglage för huvudenhet (med 3 lägen)

9. Skruv för huvudenhet (med 3 lägen)
10. Vred för storleksjustering av huvudband
11. Anslutning för huvudenhet
12. Skruv för huvudenhet (lång till höger)
13. Blockbricka (till höger)
14. Justeringsknappar för huvudband
15. Platta för segmentpositionering (till höger)
16. Svettband M23SBWH

17. Knapp för val av nyans
18. Vred för justering av nyansnummer
19. Vred för växling mellan svetsning/slipning
20. Positioneringspunkt för segmentplattan
21. Känslighetsknapp
22. Fördröjningsknapp
23. Varningslampa för lågt batteri
24. Blinkande ljus vid slipning

024-001-911 Rev B ConceptAir 07/2019

Förordningen om personlig skyddsutrustning (EU) 2016/425 eller direktivet om personlig skyddsutrustning 89/686/EEG: EU/EG-typprovning utförd av: BSI Group The Netherlands B.V., Say Building, John M. Keynesplein 9, 1066 EP, Amsterdam, Nederländerna (anmält organ nr 2797) eller BSI Assurance UK Ltd, Kitemark Court, Davy Avenue, Knowlhill, Milton Keynes MK5 8PP, Storbritannien (anmält organ nr 0086) som anges på produktetiketten.

Centurion Safety Products Ltd
T: +44 (0) 1842 754266 | F: +44 (0) 1842 765590 | sales@centurionsafety.co.uk | 21 Howlett Way, Thetford, Norfolk, IP24 1HZ, England
centurionsafety.eu

Huvudreservdelar

Beskrivning	Kod
Huvudstycke för hjälm/visir	R23CHFUV
Huvudstycke för visir	R23FUVN
Huvudstycke för svetshjälm	R23AWH9/13
ADF-svetsglas	R23ADFH9/13
Stänkskydd (10)	R23OLCH
Inre glasskydd (10)	R23ILCH
Proban slangskydd	R23PHS
Visirskydd (hjälm/visir och visirhuvudstycke) (50)	R23VC50N
Svettband utbytbara (visir) (10)	R23SB
Svettband + 2 bultar (svetsvisir)	R23SBAWH
Ansiktstätning (hjälm/visir)	R23CHFUVF/PN
Ansiktstätning (visir)	R23FN
Ansiktstätning (svetshjälm)	R23CAWF
Polykarbonatvisir för hjälm/visirhuvudstycke	R23CHFUVVP
Polykarbonatvisir med kardborreband för visirhuvudstycke	R23VN
Slang (0,85 m)	R23HAHD
Slang (1 m, extra kraftig)	R23HAHDL

Förklaring av godkännanden för skyddshjälm och visir

Skyddshjälmen är certifierad enligt följande standarder:

EN 397

MM	Skydd mot stänk av smält metall
-40 °C	Skydd mot påverkan vid låga temperaturer
LD	Skydd mot lateral deformation
440V AC	Lämplig för användning vid elektrisk spänning upp till 440 V AC
1000V AC	Lämplig för användning vid elektrisk spänning upp till 1 000 V AC (EN 50365)

Visir på hjälm/visir och visirhuvudskydd är certifierade enligt följande standarder:

EN 166

1	Högsta optiska klass
B	Skydd mot slag (120 m/s)
3	Skydd mot vätskestänk
9	Skydd mot metallstänk

Förvaring (alla huvudstycken)

Alla huvudstycken måste förvaras i en ren, torr atmosfär inom temperaturintervallet -5 °C till +55 °C vid RF<90 % i originalförpackningen. Idealiska förvaringsförhållanden är 5 °C till 35°C RF < 60 %. Transporteras i originalförpackningen. Vid förvaring i korrekta förhållanden har produkten en livslängd på fem år.

Garanti

Alla ConceptAir-huvudskydd är garanterat fria från fel i material och utförande. Om sådana fel skulle utvecklas inom 12 månader efter köpet reparerar eller ersätter Centurion Safety Products Ltd, efter eget gottfinnande, huvudstycket utan kostnad.



WEEE (avser ENBART strömadapter, batteri och laddare)

DESSA PRODUKTER SKA INTE SLÄNGAS I HUSHÄLLSAVFALLET

- Symbolen med en överkorsad soptunna som visas på den här produkten, dess förpackning eller i dess instruktioner, anger att produkten omfattas av EU-direktiv 2002/96/EG om korrekt avfallshantering av elektronisk utrustning (WEEE).
- WEEE får inte kasseras som hushållsavfall utan måste samlas in och avfallshandteras separat. Lämpliga offentliga eller privata system för avfallsinsamling, enligt nationella och lokala bestämmelser, ska följas.
- Produkten kan innehålla ämnen som kan skada miljön eller människors hälsa om de avfallshandteras felaktigt.

Mer information och EU/EG-försäkringar om överensstämmelse hittar du på vår webbplats centurionsafety.eu

024-001-911 Rev B ConceptAir 07/2019

Förordningen om personlig skyddsutrustning (EU) 2016/425 eller direktivet om personlig skyddsutrustning 89/686/EEG: EU/EG-typprovning utförd av: BSI Group The Netherlands B.V., Say Building, John M. Keynesplein 9, 1066 EP, Amsterdam, Nederländerna (anmält organ nr 2797) eller BSI Assurance UK Ltd, Kitemark Court, Davy Avenue, Knowlhill, Milton Keynes MK5 8PP, Storbritannien (anmält organ nr 0086) som anges på produktetiketten.

Centurion Safety Products Ltd
T: +44 (0) 1842 754266 | F: +44 (0) 1842 765590 | sales@centurionsafety.co.uk | 21 Howlett Way, Thetford, Norfolk, IP24 1HZ, England
centurionsafety.eu

